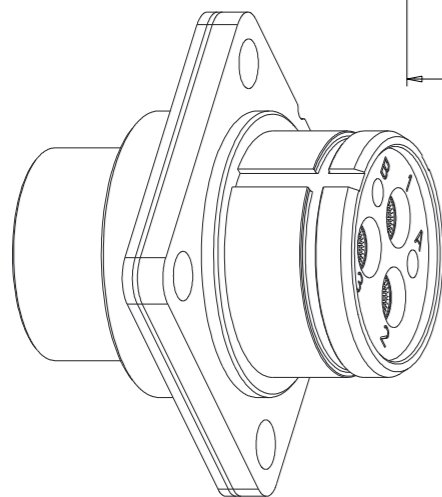
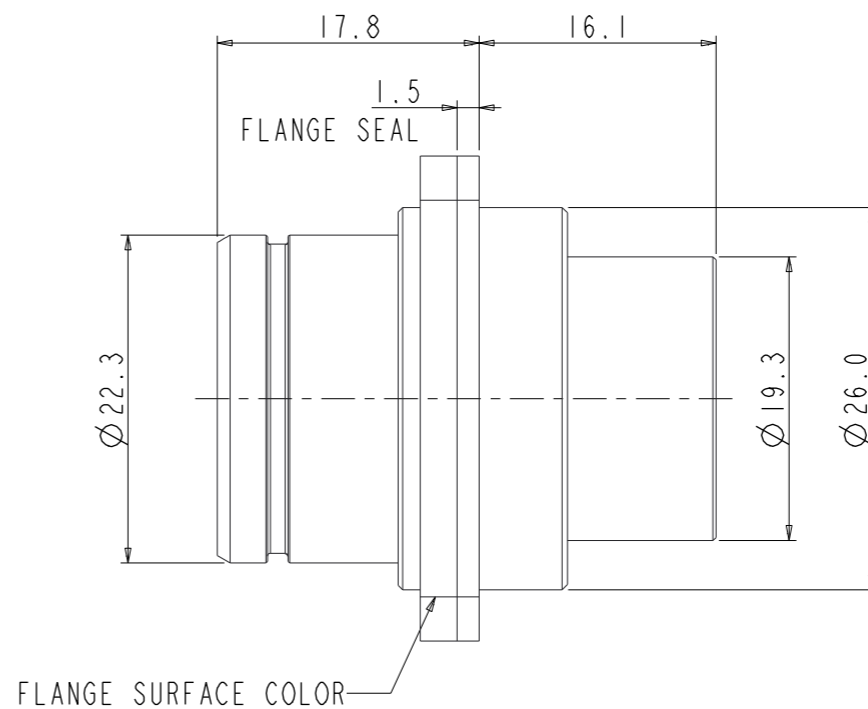
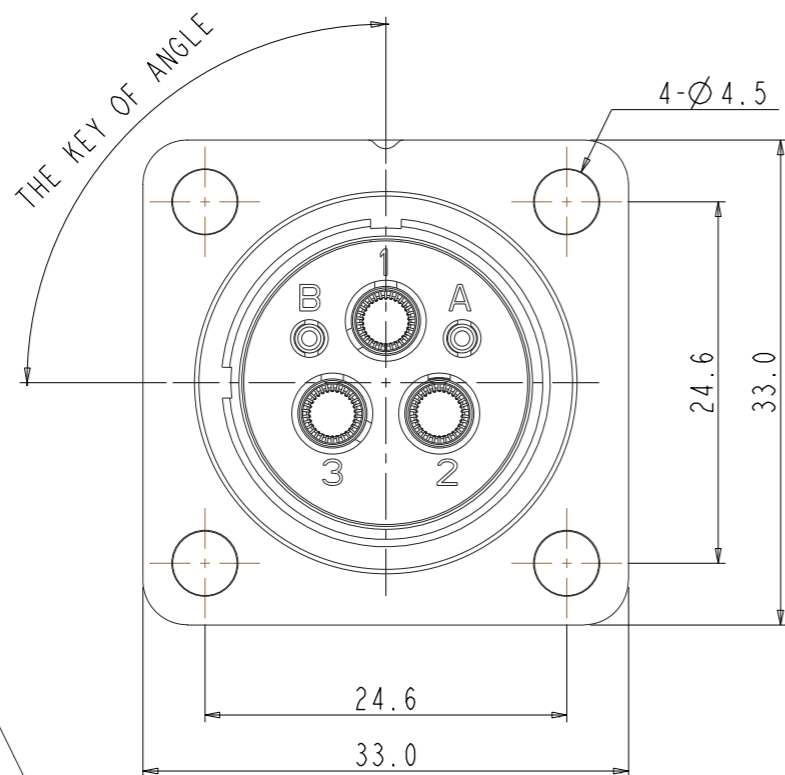


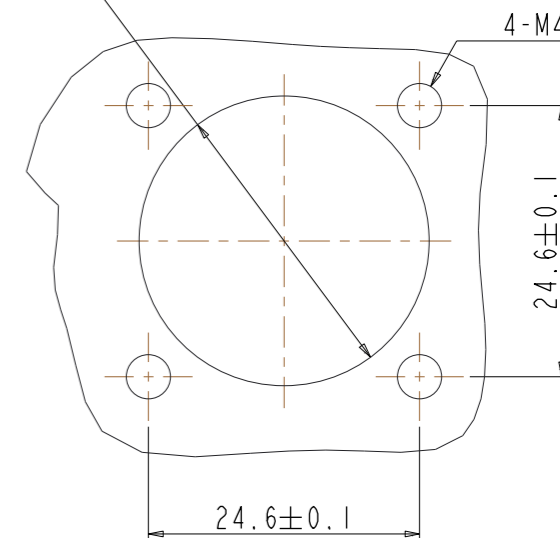
# CUSTOMER DRAWING

REV	ECN	DESCRIPTION	DATE	MODIFIED
G		UPDATE P/N DESCRIPTION	2016.12.15	ROY.QU



1, 2 3=3.0MM FEMALE CONTACT  
A, B=1.0MM FEMALE CONTACT

Ø26.3±0.1  
FOR PANEL MOUNTING



PANEL CUT OUT REFERENCE

NOTES:

1. FINISHED PRODUCT DOES HAVE NOT THE PIN, NEED TO BUY SEPARATE.
2. THE BIG PIN P/N FOR 4MM<sup>2</sup> CABLE: HVG30F4 OR HVG30FS4, USE LEVEL: 3PCS  
THE BIG PIN P/N FOR 2.5MM<sup>2</sup> CABLE: HVG30F2 OR HVG30FS2, USE LEVEL: 3PCS
3. THE SMALL PIN P/N: HVG20F1, USE LEVEL: 2PCS
4. IF THE P/N WITHOUT ANGLE CODE, PLEASE DON'T CHOOSE YELLOW FLANGE SURFACE.  
OTHER ANGLE AND COLOR CAN BE MATCHED IN ANY COMBINATION

ANGLE CODE	ANGLE OF KEY	COLOR CODE	FLANGE SURFACE COLOR	P/N(FOR EXAMPLE)
WITHOUT	0°	WITHOUT	COLOR ZINC	HVGIS403FC
X	270°	RD	RED	HVGIS403FCXRD
Y	315°	Y	YELLOW	HVGIS403FCYY
Z	90°	BL	BLUE	HVGIS403FCZBL
W	45°	G	GREEN	HVGIS403FCWG
		BK	BLACK	HVGIS403FCBK

TECHNICAL DATA	
CURRENT RATE(2.5MM <sup>2</sup> WIRE)	23A
CURRENT RATE(4MM <sup>2</sup> WIRE)	32A
UL RATING VOLTAGE POLLUTION DEGREE 2	400VAC, 690VDC
OPERATING TEMPERATURE	-40-125°C
DIELECTRIC WITHSTANDING VOLTAGE	3000V
INSULATION RESISTANCE	2000MEGOHMS MIN. (25°C)
DURABILITY	500 CYCLES
SHIELDING	YES
WATERPROOF (MATED CONDITION)	IP67
AMBIENT TEMPERATURE	-40-70°

DIMENSIONS	TOLERANCES	PROJECTION	TITLE	
ANSI Y14.5M UNITS: MM Pro/E FILE	X ±0.3 XX ±0.20 ANGLES ±0.5°		Amphenol Pcd Shenzhen	
ORIGINAL NOT FOR CUSTOMER DISTRIBUTION	THIS DOCUMENT CONTAINS PROPRIETARY INFORMATION WHICH IS THE CONFIDENTIAL PROPERTY OF AMPHENOL PCD SHENZHEN		ENGR ROY.QU	2016.12.15
			CHKD	
			APPD	
		SIZE <b>A3</b>	DWG NO. <b>HVGIS-403FCX-XX</b>	REV <b>G</b>
		CODE: 58982	SCALE: 2:1	SHEET 1 OF 1

HVGIS-403FCX-XX

HVGIS-403FCX-XX

## X-ON Electronics

Largest Supplier of Electrical and Electronic Components

*Click to view similar products for [Standard Circular Connector](#) category:*

*Click to view products by [Amphenol](#) manufacturer:*

Other Similar products are found below :

[C015](#) [10F006](#) [001](#) [1](#) [5M2530B10P](#) [600259N006](#) [600273N007](#) [600432N009](#) [6280-2PG-519](#) [6280-3PG-311](#) [6280-3SG-311](#) [6280-7SG-3DC](#)  
[6280-7SG-522](#) [6282-5PG-311](#) [6282-6PG-519](#) [6282-8SG-311](#) [6283-11](#) [6283-15](#) [6290](#) [6382-2PG-311](#) [6382-2PG-3DC](#) [6382-2SG-321](#) [6382-](#)  
[2SG-3DC](#) [6382-4SG-516](#) [67-03E20-37P](#) [680-SMG](#) [681-PMG](#) [CXS3102A14S2P](#) [CXS3102A181S](#) [CXS3106A14S6S](#) [MB12P-1](#) [MB12R-6](#)  
[7251-2PG-300](#) [7251-2SG-300](#) [7251-4PG-300](#) [7251-4SG-300](#) [7251-5PG-300](#) [7251-5SG-300](#) [7251-6SG-300](#) [7251-7PG-300](#) [7251-8PG-300](#)  
[7271-6SG-300](#) [7282-3PG-300-CH3](#) [73000005663](#) [75-190216-08S](#) [75-190218-10P](#) [75-474118-10P](#) [75-474618-01S](#) [75-474620-07P](#) [799539-](#)  
[000](#) [MI8-SE](#) [80-190222-18P](#) [805-005-07NF11-19PC](#)