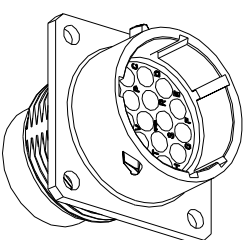
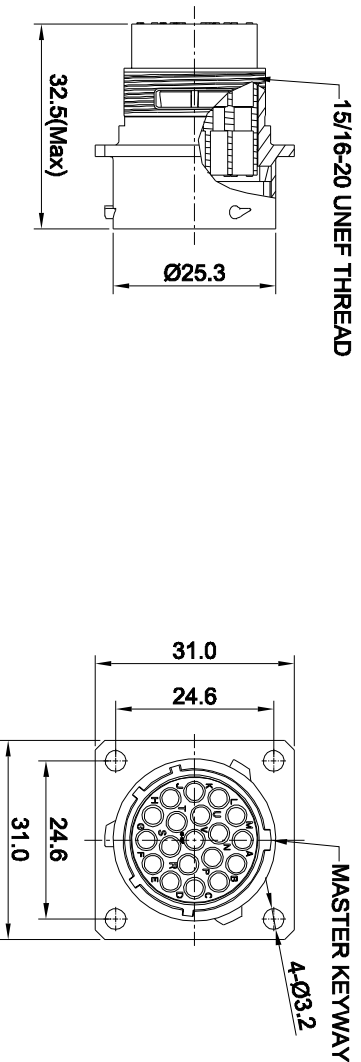
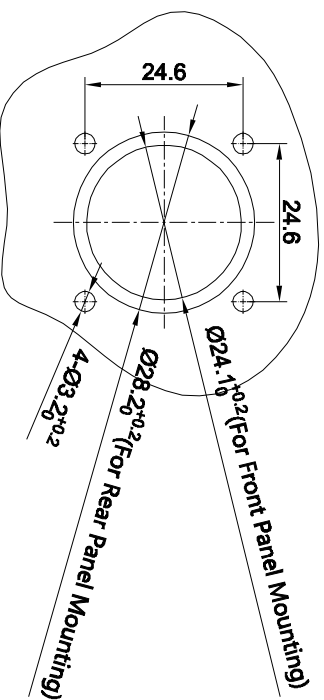


REVISIONS				
REV	ECO	DESCRIPTION	DATE	BY APPR
B1	-	RELEASED DRAWING	JUN-18-2014	BEN TOMMY



- NOTES : (UNLESS OTHERWISE SPECIFIED)
- MATERIAL :
SHELL : ZINC ALLOY , NICKEL PLATED.
INSERT : THERMOPLASTIC , UL94 V-0,
SEAL GASKET : NBR/SILICONE RUBBER.
 - SPECIFICATIONS :
2.1 RATED CURRENT : 13A (MAX).
2.2 RATED VOLTAGE : 300V (AC/DC).
2.3 OPERATING TEMPERATURE : SEE CHART.
2.4 DIELECTRIC WITHSTANDING VOLTAGE : LESS THAN 2 MILLIAMPS CURRENT LEAKAGE@2000 VOLTS AC.
2.5 INSULATION RESISTANCE : 5000 MEGOHMS MIN.
2.6 IP--CLASS : IP67.
2.7 MATING CYCLES DURABILITY : 500 CYCLES MIN.
2.8 ROHS COMPLIANT.
 - SUITABLE CONTACTS : 16# CONTACTS.
 - ALL DIMENSIONS ARE FOR REFERENCE USE ONLY.



KEY POS	PART NUMBER	
	-40°C ~ 105°C	-40°C ~ 125°C
N	RT001619PN	RT001619PN03
W	RT001619PW	RT001619PW03
X	RT001619PX	RT001619PX03
Y	RT001619PY	RT001619PY03
Z	RT001619PZ	RT001619PZ03

QUANTITY	SEE PART NUMBER CHART	PART NUMBER	DESCRIPTION	ITEM
MATERIALS LIST				

SIGNATURES	DATE
DRAWN: BBI	JUN17/14
CHECKED:	
ENGINEER:	
APPROVAL:	
CUSTOMER:	

UNLESS OTHERWISE SPECIFIED	PROCESS SPECIFICATIONS:	THIS DRAWING IS SUPPLIED FOR
1) ALL DIMENSIONS ARE IN MILLIMETERS. 2) TOLERANCES ARE AS SHOWN. 3) HOLE REFERENCE =	1) ALL DIMENSIONS ARE IN MILLIMETERS. 2) TOLERANCES ARE AS SHOWN. 3) HOLE REFERENCE =	SPECIFICATIONS AND PERFORMANCE DATA. THE DRAWING IS FOR THE INFORMATION OF THE CUSTOMER AND IS NOT TO BE USED FOR REPRODUCTION OR REUSE. ALL MANUFACTURING VARIATIONS
UNLESS OTHERWISE SPECIFIED	PROCESS SPECIFICATIONS:	THIS DRAWING IS SUPPLIED FOR
1) ALL DIMENSIONS ARE IN MILLIMETERS. 2) TOLERANCES ARE AS SHOWN. 3) HOLE REFERENCE =	1) ALL DIMENSIONS ARE IN MILLIMETERS. 2) TOLERANCES ARE AS SHOWN. 3) HOLE REFERENCE =	SPECIFICATIONS AND PERFORMANCE DATA. THE DRAWING IS FOR THE INFORMATION OF THE CUSTOMER AND IS NOT TO BE USED FOR REPRODUCTION OR REUSE. ALL MANUFACTURING VARIATIONS
UNLESS OTHERWISE SPECIFIED	PROCESS SPECIFICATIONS:	THIS DRAWING IS SUPPLIED FOR
1) ALL DIMENSIONS ARE IN MILLIMETERS. 2) TOLERANCES ARE AS SHOWN. 3) HOLE REFERENCE =	1) ALL DIMENSIONS ARE IN MILLIMETERS. 2) TOLERANCES ARE AS SHOWN. 3) HOLE REFERENCE =	SPECIFICATIONS AND PERFORMANCE DATA. THE DRAWING IS FOR THE INFORMATION OF THE CUSTOMER AND IS NOT TO BE USED FOR REPRODUCTION OR REUSE. ALL MANUFACTURING VARIATIONS

Amphenol

Sine Systems - www.amphenol-sine.com
44724 Morley Drive
Clinton Township, MI 48038

ECO-MATE RECEPTACLE,
SIZE 16, 19POS, PIN.

SIZE	TYPE	DWG NO.	REVISION
B	C-	RT001619P*	B1
SCALE	NONE	SHEET	1 OF 1

X-ON Electronics

Largest Supplier of Electrical and Electronic Components

Click to view similar products for [Standard Circular Connector](#) category:

Click to view products by [Amphenol](#) manufacturer:

Other Similar products are found below :

[C015](#) [10F006](#) [001](#) [1](#) [5M2530B10P](#) [600259N006](#) [600273N007](#) [600432N009](#) [6280-2PG-519](#) [6280-3PG-311](#) [6280-3SG-311](#) [6280-7SG-3DC](#)
[6280-7SG-522](#) [6282-5PG-311](#) [6282-6PG-519](#) [6282-8SG-311](#) [6283-11](#) [6283-15](#) [6290](#) [6382-2PG-311](#) [6382-2PG-3DC](#) [6382-2SG-321](#) [6382-](#)
[2SG-3DC](#) [6382-4SG-516](#) [67-03E20-37P](#) [680-SMG](#) [681-PMG](#) [CXS3102A14S2P](#) [CXS3102A181S](#) [CXS3106A14S6S](#) [MB12P-1](#) [MB12R-6](#)
[7251-2PG-300](#) [7251-2SG-300](#) [7251-4PG-300](#) [7251-4SG-300](#) [7251-5PG-300](#) [7251-5SG-300](#) [7251-6SG-300](#) [7251-7PG-300](#) [7251-8PG-300](#)
[7271-6SG-300](#) [7282-3PG-300-CH3](#) [73000005663](#) [75-190216-08S](#) [75-190218-10P](#) [75-474118-10P](#) [75-474618-01S](#) [75-474620-07P](#) [799539-](#)
[000](#) [MI8-SE](#) [80-190222-18P](#) [805-005-07NF11-19PC](#)