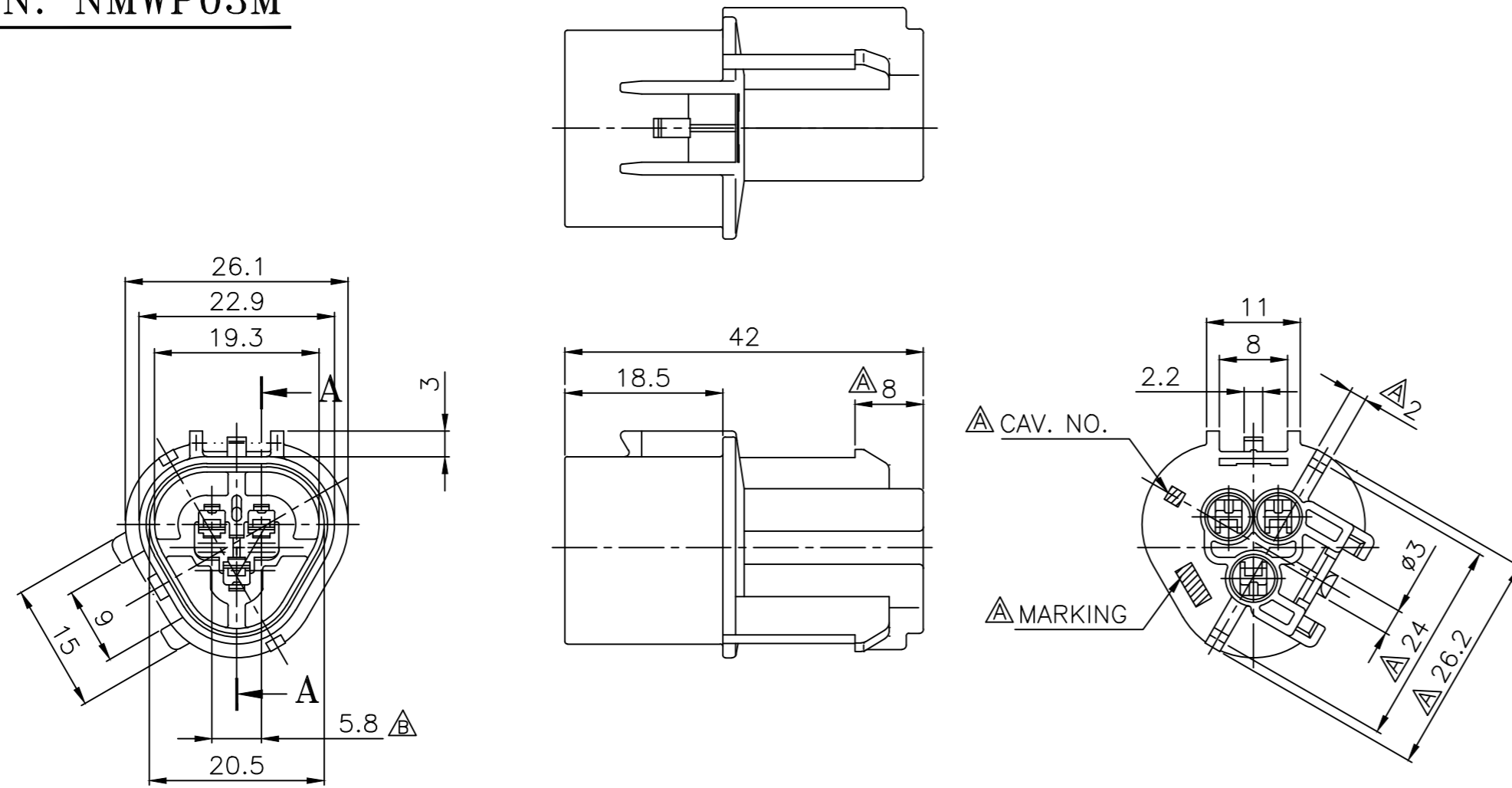
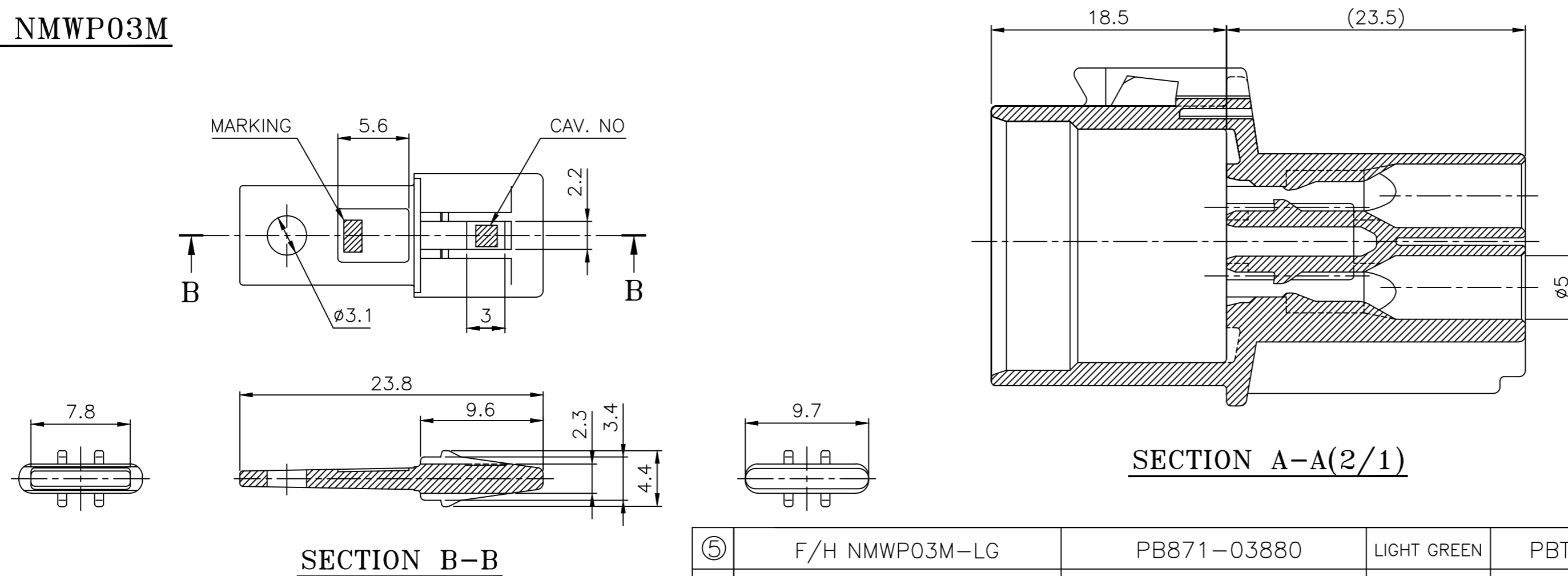


CUSTOMER DRAWING

①②③④ CONN. NMWP03M



⑤ F/H NMWP03M



— 주 기 —

- MARKING 및 CAV. NO는 당사 규정에 의하여 각인 할 것.
- 상대 MATCHING CONNECTOR : NMWP CONN. RECEP류.
- ASSY 부품
  - FRONT HOLDER : PB871-03880
  - TERMINAL

적용 전선(SQ)	PART NAME	PART NO.
AV,AVS,AVSS 0.3~0.5 / AVX,AEX 0.5	NMWP-M-S	MT091-63080
AV,AVX,AEX,AVS,AVSS 0.75~0.85sq, AESSX 0.75~0.85sq, 테프론 0.61sq	NMWP-M-SM	TN021-00200
AV,AVX,AEX,AVS,AVSS 1.25sq~2.0sq	NMWP-M-M	MT091-63280
AV,AVS,AVSS 0.3~0.5 / AVX,AEX0.5	NMWP-M-S-Au	MT091-63060
AV,AVX,AEX,AVS,AVSS 0.75~0.85sq, AESSX 0.75~0.85sq, 테프론 0.61sq	NMWP-M-SM-Au	TN021-00210
AV,AVX,AEX,AVS,AVSS 1.25sq~2.0sq	NMWP-M-M-Au	MT091-63260

3) WIRE SEAL

적용 전선(SQ)	PART NAME	PART No.
AV,AVS 0.3 / AVSS 0.3~0.85sq, AESSX 0.75~0.85sq, 테프론 0.61sq	W/S MWP-0.3	RS220-01100
AV 0.5,AVSS1.25/AVS,AVX,AEX0.5~0.85	W/S MWP-SS	RS220-04100
AV 0.75~0.85, AVS 1.25	W/S MWP-S	RS220-02100
AVS,AVSS 2.0 /AV,AVX,AEX 1.25~2.0	W/S MWP-W	RS220-03100
막음SEAL용 PIN	NMWP S/P ASSY	PZ001-15022

- 본 부품은 방수형 CONNECTOR임.

GENERAL TOLERANCE							
	10MAX	50MAX	100MAX	150MAX	200MAX	200VR	ANGLE
A	±0.2	±0.3	±0.5	±0.8	±1.0	±1.4	± 30'

⑤	F/H NMWP03M-LG	PB871-03880	LIGHT GREEN	PBT			
④	CONN. NMWP03M-B-GY	PB621-03720	GRAY	PBT			
③	CONN. NMWP03M-B-BR	PB621-03650	BROWN	PBT			
②	CONN. NMWP03M-B-L	PB621-03640	BLUE	PBT			
①	CONN. NMWP03M-B	PB621-03020	BLACK	PBT			
NO.	PART NAME	PART NO.	COLOR	MATERIAL			
	THIRD ANGLE PROJECTION	A	1/1(2/1)	KDK	KMH	KNJ	CJW
	TOLERANCE	SCALE	DESIGN	DRAWN	CHECKED	APPROVED	

CJW	06.07.28	E006-0040	△C	TML 사양추가 및 적용전선사양변경(5개소)	SSJ
KKL	02.08.20	-	△B	치수 추가(1개소)	KMH
CJW	00.06.07	-	△A	형상 변경(6개소)	KDK
CJW	97.04.01	-	△-	신 규	KDK
승인	DATE	NOTE NO.	SYM	ALTERATION	담당

DRAWING NAME                      CONN. NMWP03M-B  
 DRAWING NO.                              PB621-03020-C01C

**KUM**                      **케이유엠**

## X-ON Electronics

Largest Supplier of Electrical and Electronic Components

*Click to view similar products for [Terminal Block Tools & Accessories](#) category:*

*Click to view products by [KUM](#) manufacturer:*

Other Similar products are found below :

[1029563](#) [00171430102](#) [00171420102](#) [014415](#) [CSTSPC1-2](#) [9-1437653-4](#) [928358-1](#) [QC209/J](#) [HCL10-6](#) [1437403-6](#) [1437403-9](#) [1437403-8](#)  
[147832-1](#) [EC0037-000](#) [MT2/H--](#) [MT2/H-32](#) [MT6/H-N](#) [MT6/V-GRND](#) [MT8/H-101-110](#) [BB2-09BF](#) [EP2.5/4UN/BG](#) [1707755](#) [1735590](#)  
[1755480](#) [1760336](#) [BO3-02](#) [1789281](#) [1840227](#) [1840230](#) [1893164](#) [2-1437402-1](#) [2-1437644-9](#) [JB2-09/J](#) [2202307](#) [2204082](#) [2302463](#) [2305949](#)  
[2310581](#) [8TK2-24](#) [91.201.1](#) [L2U2](#) [2778.0](#) [2901107](#) [2901123](#) [2901699](#) [2MP/J](#) [2MV-06](#) [1705126](#) [F03-25](#) [1810532](#)