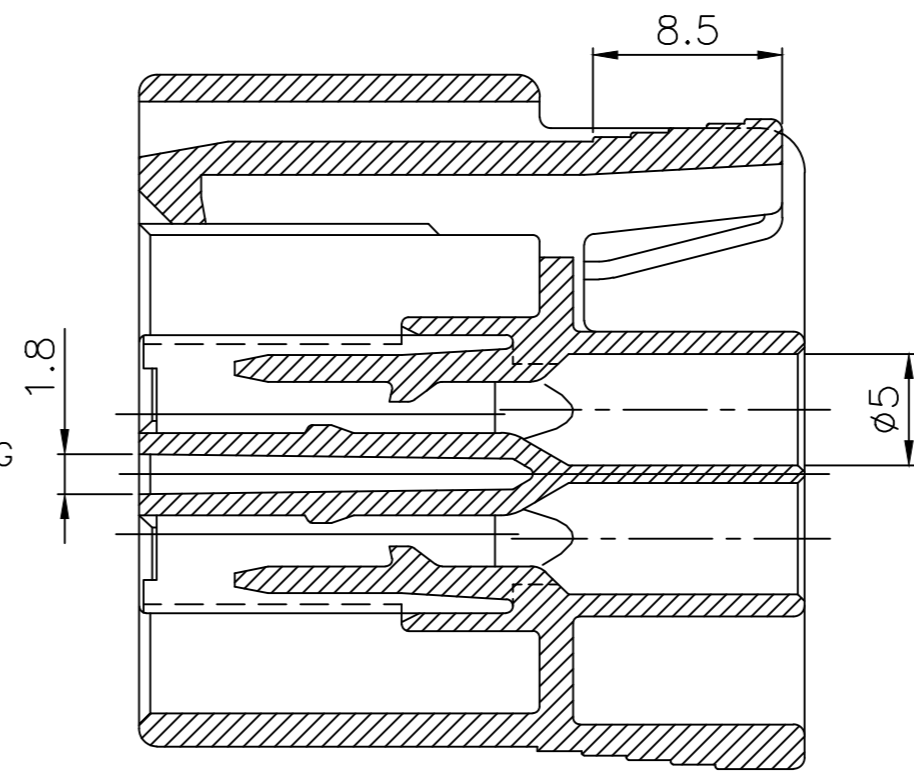
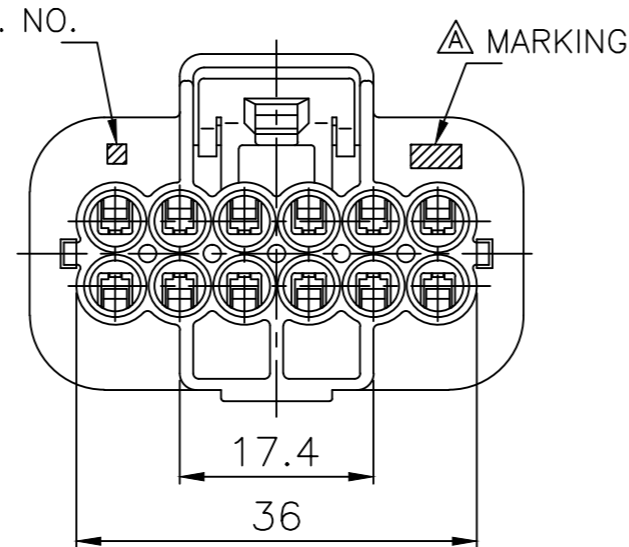
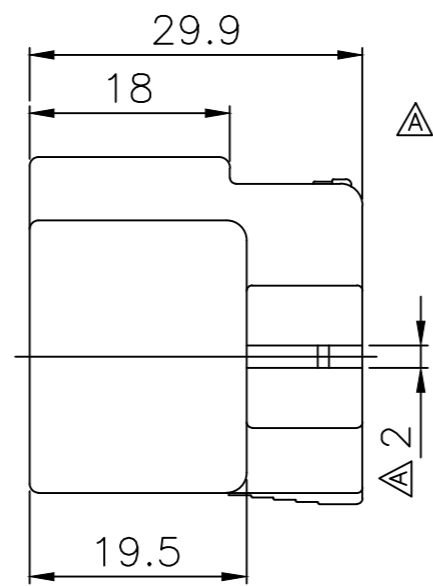
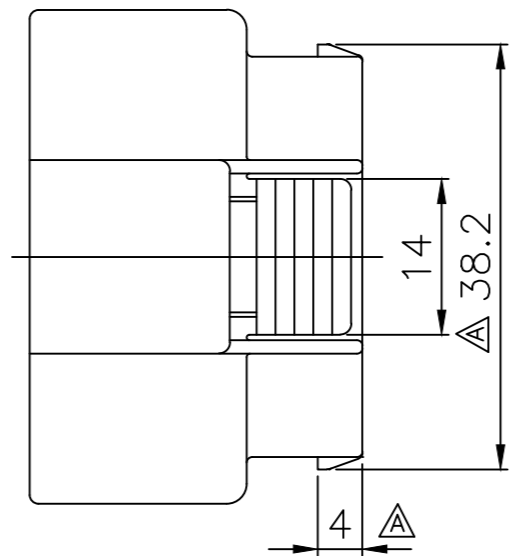
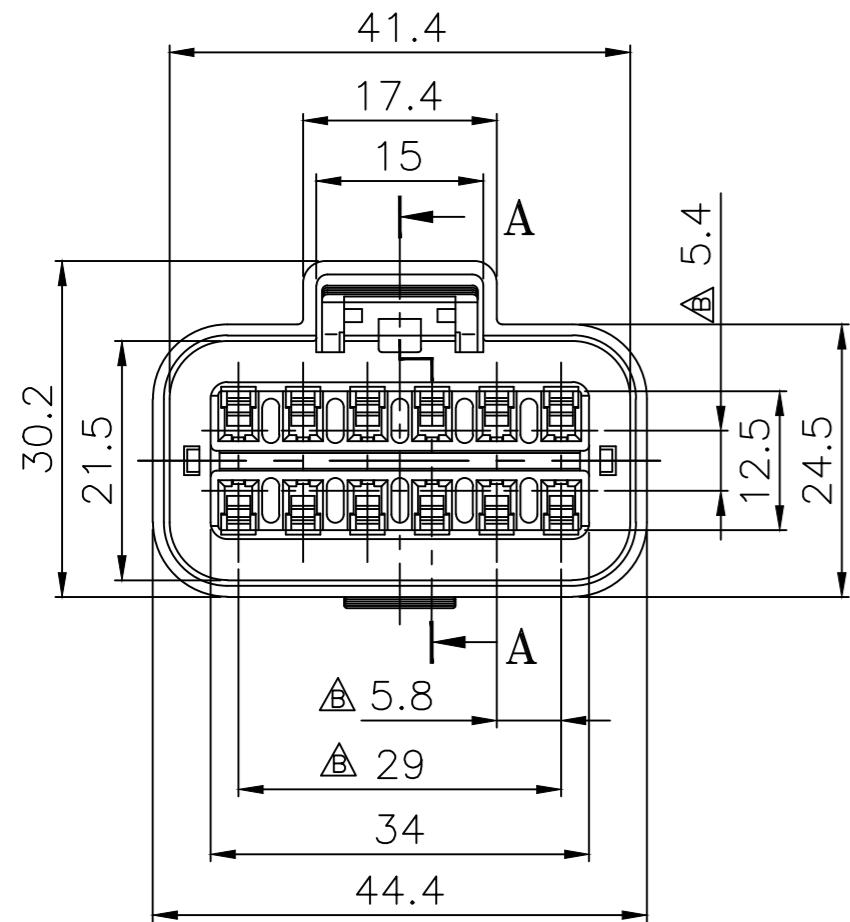


CUSTOMER DRAWING

①②③④ CONN. NMWP12F



SECTION A-A(2/1)

— 주 기 —

- MARKING 및 CAV. NO는 당사 규정에 의하여 각인 할 것.
- 상대 MATCHING CONNECTOR : NMWP CONN. TAB류.
- ASSY 부품
  - FRONT HOLDER : PB875-12900
  - CONNECTOR SEAL: RS210-12000
  - TERMINAL

적용 전선(SQ)	PART NAME	PART NO.
AV,AVS,AVSS 0.3~0.5 / AVX,AEX 0.5	NMWP-F-S	MT095-63080
AV,AVX,AEX,AVS,AVSS 0.75~0.85sq, AESX 0.75~0.85sq, 테프론 0.61sq	NMWP-F-SM	TN025-00200
AV,AVX,AEX,AVS,AVSS 1.25sq~2.0sq	NMWP-F-M	MT095-63280
AV,AVS,AVSS 0.3~0.5 / AVX,AEX0.5	NMWP-F-S-Au	MT095-63060
AV,AVX,AEX,AVS,AVSS 0.75~0.85sq, AESX 0.75~0.85sq, 테프론 0.61sq	NMWP-F-SM-Au	TN025-00210
AV,AVX,AEX,AVS,AVSS 1.25sq~2.0sq	NMWP-F-M-Au	MT095-63260

4) WIRE SEAL

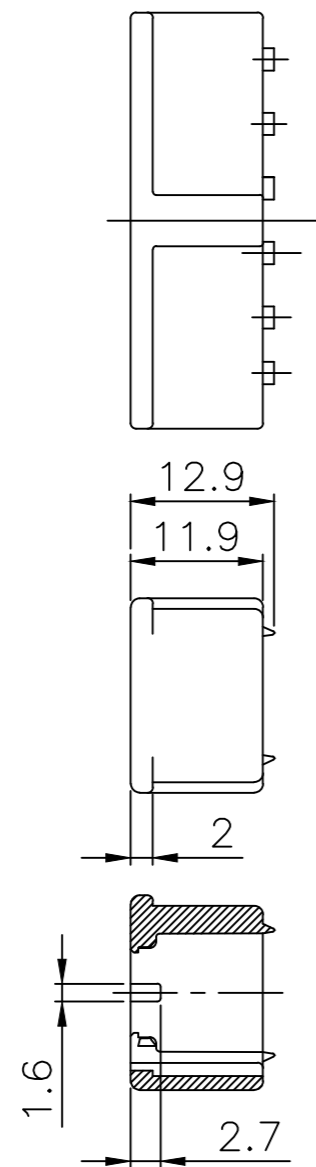
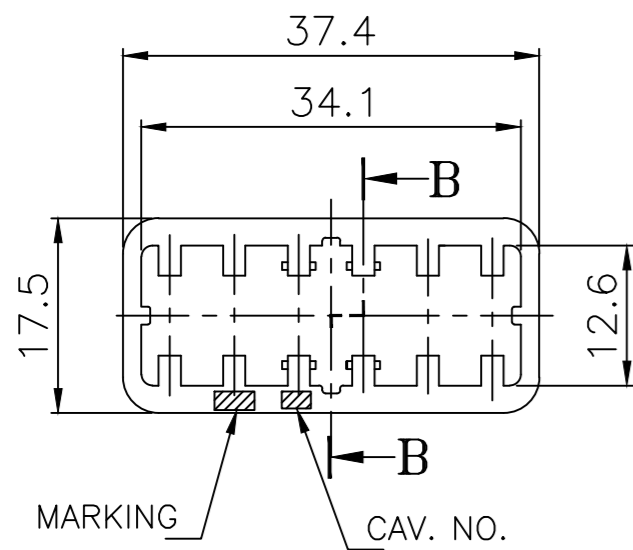
적용 전선(SQ)	PART NAME	PART No.
AV,AVS 0.3 / AVSS 0.3~0.85sq, AESX 0.75~0.85sq, 테프론 0.61sq	W/S MWP-0.3	RS220-01100
AV 0.5,AVSS1.25/AVS,AVX,AEX0.5~0.85	W/S MWP-SS	RS220-04100
AV 0.75~0.85, AVS 1.25	W/S MWP-S	RS220-02100
AVS,AVSS 2.0 /AV,AVX,AEX 1.25~2.0	W/S MWP-W	RS220-03100
막음SEAL용 PIN	NMWP S/P ASSY	PZ001-15022

4. ASSY PART NO.

ASSY P/NAME	ASSY P/NO.	①	②	③	④	⑥
CONN. NMWP12F-B ASSY	PB625-12027	●				●
CONN. NMWP12F-B-L ASSY	PB625-12647		●			●
CONN. NMWP12F-B-BR ASSY	PB625-12657			●		●
CONN. NMWP12F-B-GY ASSY	PB625-12727				●	●

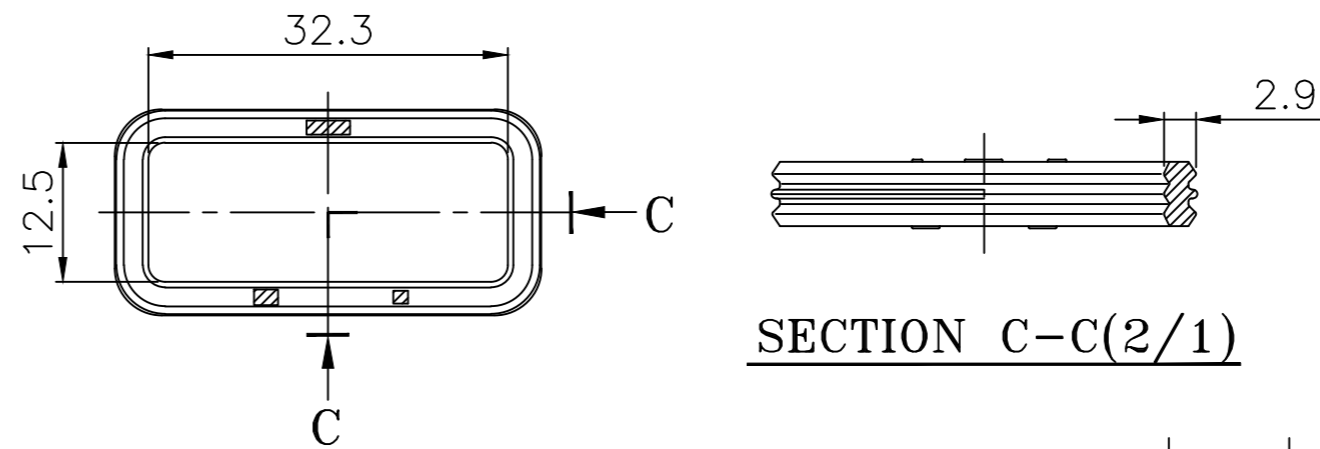
5. 본 부품은 방수형 CONNECTOR임.

⑤ F/H NMWP12F



SECTION B-B

⑥ C/S MWP 12P



SECTION C-C(2/1)

NO.	PART NAME	PART NO.	COLOR	MATERIAL
⑥	C/S MWP12P-BR	RS210-12000	BROWN	특수 SI-RUBBER
⑤	F/H NMWP12F-OR	PB875-12900	ORANGE	PBT
④	CONN. NMWP12F-B-GY	PB625-12720	GRAY	PBT
③	CONN. NMWP12F-B-BR	PB625-12650	BROWN	PBT
②	CONN. NMWP12F-B-L	PB625-12640	BLUE	PBT
①	CONN. NMWP12F-B	PB625-12020	BLACK	PBT

THIRD ANGLE PROJECTION	A	1/1(2/1)	KDK	KMH	KNJ	CJW
TOLERANCE		SCALE	DESIGN	DRAWN	CHECKED	APPROVED

승인	DATE	NOTE NO.	SYM	ALTERATION	담당
CJW	06.07.28	E006-0040	△C	TML 사양추가 및 적용전선사양변경(5개소)	SSJ
KKL	02.08.12	-	△B	치수 추가(3개소)	KMH
CJW	99.12.20	-	△A	형상 변경(5개소)	KDK
CJW	98.01.22	-	△	신 규	KDK

DRAWING NAME	CONN. NMWP12F-B ASSY
DRAWING NO.	PB625-12027-C01C

GENERAL TOLERANCE

	10MAX	50MAX	100MAX	150MAX	200MAX	200VR	ANGLE
A	±0.2	±0.3	±0.5	±0.8	±1.0	±1.4	±30'

**KUM**

**케이유엠**

## X-ON Electronics

Largest Supplier of Electrical and Electronic Components

*Click to view similar products for [Terminal Block Tools & Accessories](#) category:*

*Click to view products by [KUM](#) manufacturer:*

Other Similar products are found below :

[1029563](#) [00171430102](#) [00171420102](#) [014415](#) [CSTSPC1-2](#) [9-1437653-4](#) [928358-1](#) [QC209/J](#) [HCL10-6](#) [1437403-6](#) [1437403-9](#) [1437403-8](#)  
[147832-1](#) [EC0037-000](#) [MT2/H--](#) [MT2/H-32](#) [MT6/H-N](#) [MT6/V-GRND](#) [MT8/H-101-110](#) [BB2-09BF](#) [EP2.5/4UN/BG](#) [1707755](#) [1735590](#)  
[1755480](#) [1760336](#) [BO3-02](#) [1789281](#) [1840227](#) [1840230](#) [1893164](#) [2-1437402-1](#) [2-1437644-9](#) [JB2-09/J](#) [2202307](#) [2204082](#) [2302463](#) [2305949](#)  
[2310581](#) [8TK2-24](#) [91.201.1](#) [L2U2](#) [2778.0](#) [2901107](#) [2901123](#) [2901699](#) [2MP/J](#) [2MV-06](#) [1705126](#) [F03-25](#) [1810532](#)