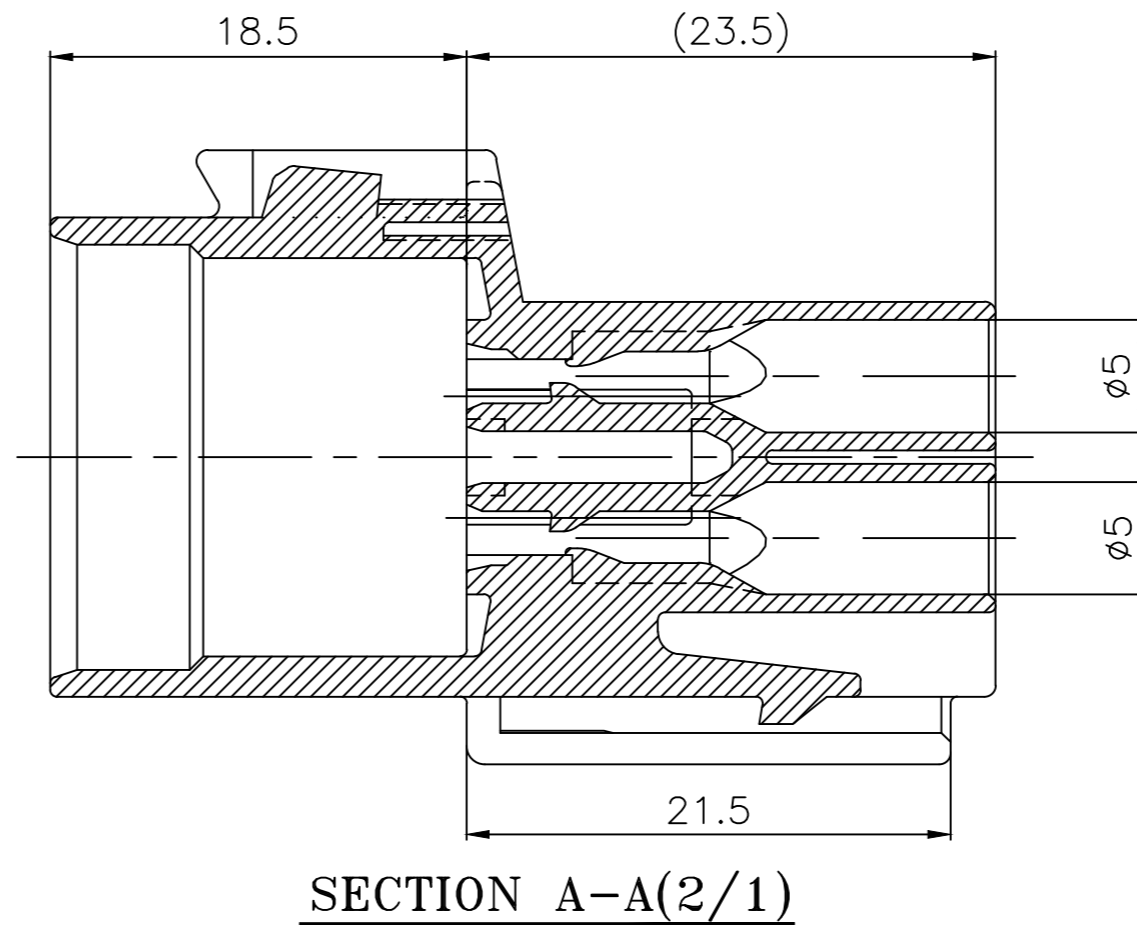
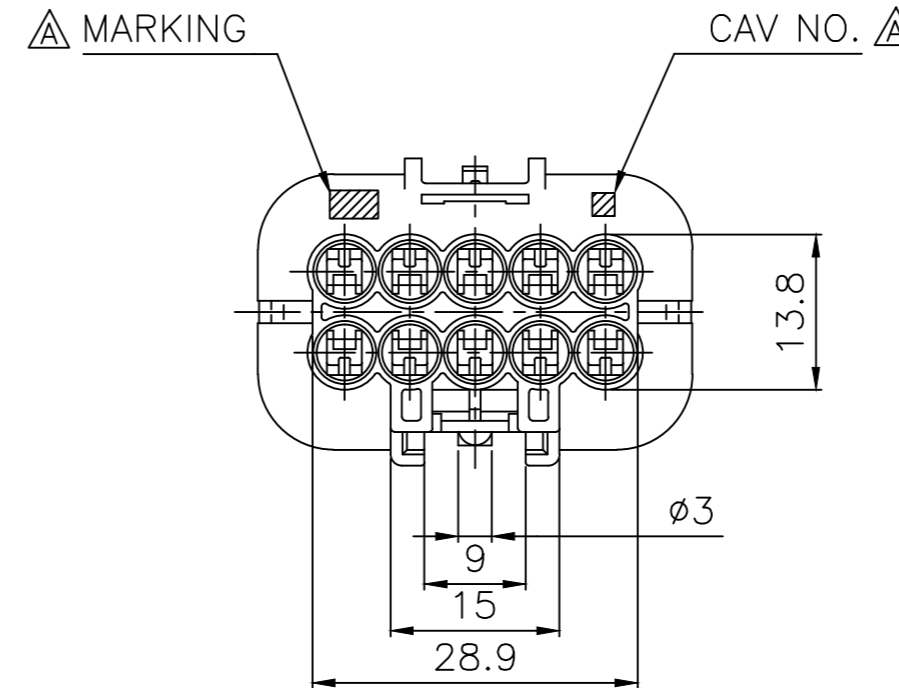
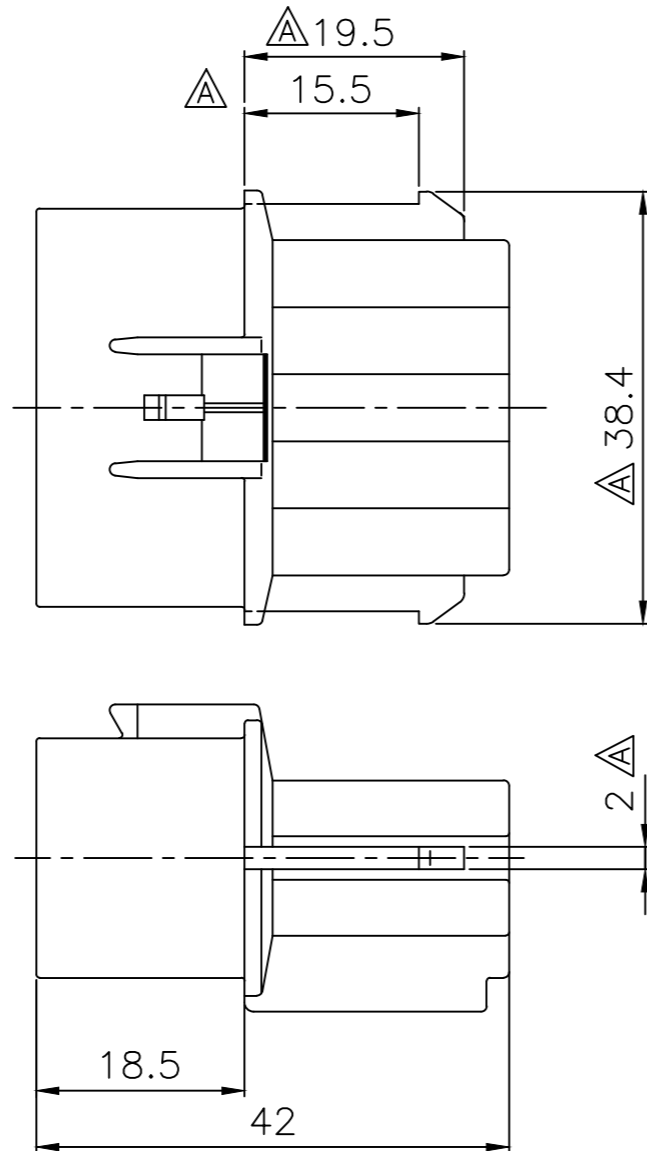
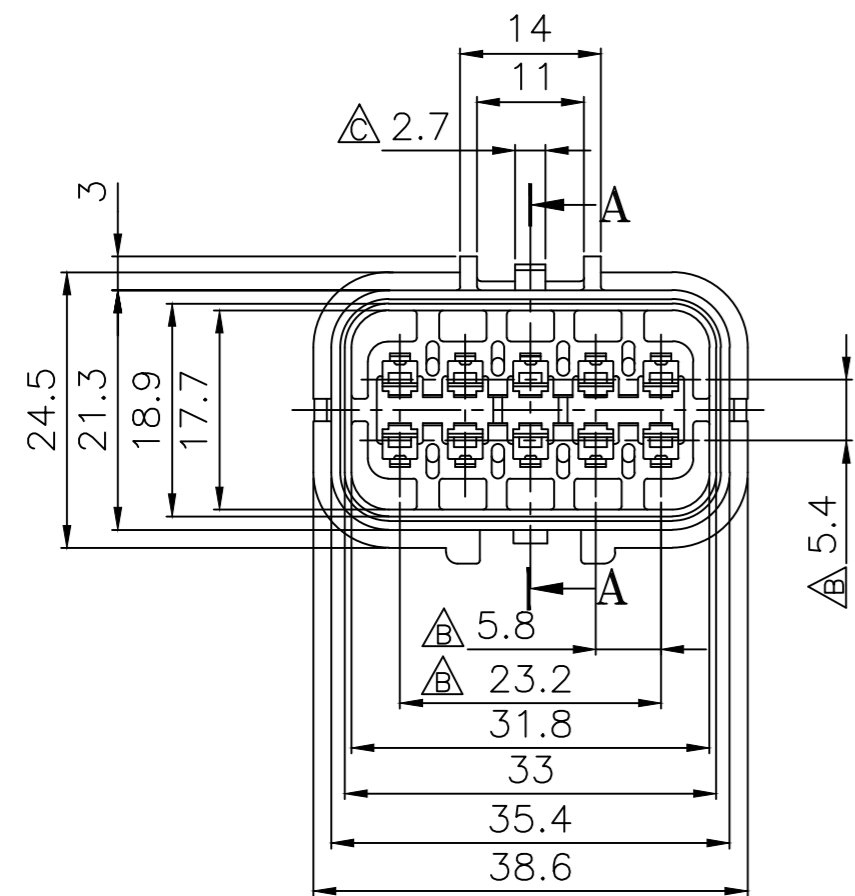


CUSTOMER DRAWING

①②③④ CONN. NMWP10M



— 주 기 —

- MARKING 및 CAV. NO는 당사 규정에 의하여 각인 할 것.
- 상대 MATCHING CONNECTOR : NMWP CONN. RECEPT류.
- ASSY 부품
 - FRONT HOLDER : PB871-10880
 - TERMINAL

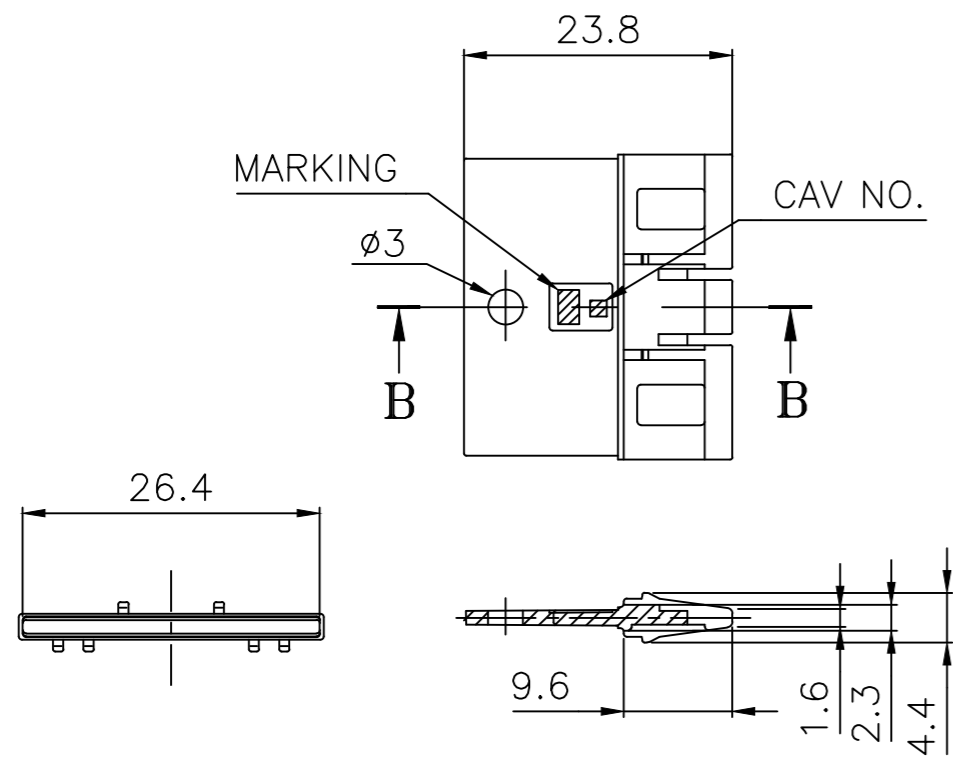
적용 전선(SQ)	PART NAME	PART NO.
AV,AVS,AVSS 0.3~0.5 / AVX,AEX 0.5	NMWP-M-S	MT091-63080
AV,AVX,AEX,AVS,AVSS 0.75~0.85sq, AESSX 0.75~0.85sq, 테프론 0.61sq	NMWP-M-SM	TN021-00200
AV,AVX,AEX,AVS,AVSS 1.25sq~2.0sq	NMWP-M-M	MT091-63280
AV,AVS,AVSS 0.3~0.5 / AVX,AEX0.5	NMWP-M-S-Au	MT091-63060
AV,AVX,AEX,AVS,AVSS 0.75~0.85sq, AESSX 0.75~0.85sq, 테프론 0.61sq	NMWP-M-SM-Au	TN021-00210
AV,AVX,AEX,AVS,AVSS 1.25sq~2.0sq	NMWP-M-M-Au	MT091-63260

3) WIRE SEAL

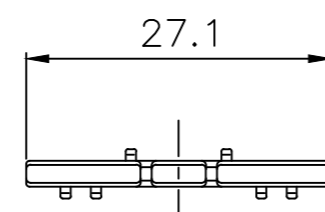
적용 전선(SQ)	PART NAME	PART No.
AV,AVS 0.3 / AVSS 0.3~0.85sq, AESSX 0.75~0.85sq, 테프론 0.61sq	W/S MWP-0.3	RS220-01100
AV 0.5,AVSS1.25/AVS,AVX,AEX0.5~0.85	W/S MWP-SS	RS220-04100
AV 0.75~0.85, AVS 1.25	W/S MWP-S	RS220-02100
AVS,AVSS 2.0 /AV,AVX,AEX 1.25~2.0	W/S MWP-W	RS220-03100
락용SEAL용 PIN	NMWP S/P ASSY	PZ001-15022

4. 본 부품은 방수형 CONNECTOR임.

⑤ F/H NMWP10M



SECTION B-B



⑤	F/H NMWP10M-LG	PB871-10880	LIGHT GREEN	PBT			
④	CONN. NMWP10M-B-GY	PB621-10720	GRAY	PBT			
③	CONN. NMWP10M-B-BR	PB621-10650	BROWN	PBT			
②	CONN. NMWP10M-B-L	PB621-10640	BLUE	PBT			
①	CONN. NMWP10M-B	PB621-10020	BLACK	PBT			
NO.	PART NAME	PART NO.	COLOR	MATERIAL			
	THIRD ANGLE PROJECTION	A	1/1(2/1)	CYM	KMH	KNJ	CJW
		TOLERANCE	SCALE	DESIGN	DRAWN	CHECKED	APPROVED

승인	DATE	NOTE NO.	SYM	ALTERATION	담당
CJW	06.07.28	E006-0040	D	TML 사양추가 및 적용전선사양변경(5개소)	SSJ
KKL	05.01.14	AH05002	C	오기 수정(1개소)	SSJ
KKL	02.08.20	-	B	치수 추가(3개소)	KMH
CJW	01.01.18	-	A	형상 변경(6개소)	CYM
CJW	99.07.13	-	A	신 규	CYM

DRAWING NAME		CONN. NMWP10M-B			
DRAWING NO.		PB621-10020-C01D			

GENERAL TOLERANCE

	10MAX	50MAX	100MAX	150MAX	200MAX	200VR	ANGLE
A	±0.2	±0.3	±0.5	±0.8	±1.0	±1.4	±30'

KUM

케이유엠

X-ON Electronics

Largest Supplier of Electrical and Electronic Components

Click to view similar products for [Headers & Wire Housings](#) category:

Click to view products by [KUM](#) manufacturer:

Other Similar products are found below :

[95000-104TRLF](#) [10135584-644402LF](#) [DF62W-EP2022PCA](#) [95000-106TRLF](#) [DF62W-2022SCA](#) [DF62W-EP2022PC](#) [2203348](#) [DF62W-2022SC](#) [1084018](#) [1029039](#) [1084017](#) [802-10-012-10-002000](#) [1112640](#) [1112639](#) [000-34000](#) [0009482033](#) [0009507031](#) [57102-S06-03LF](#) [57202-S52-04LF](#) [PCN6-15S-2.5E](#) [0039019024](#) [58102-G61-06LF](#) [582553-1](#) [0009508121](#) [0022285053](#) [0050291907](#) [018731A](#) [LY20-4P-DT1-P1E-BR](#) [02.125.8002.8](#) [60101931](#) [60598-1 \(Cut Strip\)](#) [M1625-3R/100](#) [61062-3](#) [61082-181009](#) [636-1427](#) [638009-1](#) [641938-9](#) [641991-4](#) [644168-1](#) [647662-1](#) [65039-019ELF](#) [65817-002LF](#) [65817-015LF](#) [65863-015LF](#) [66207-023LF](#) [67016-026LF](#) [67046-001LF](#) [67095-007LF](#) [67230-005LF](#) [68002-116](#)