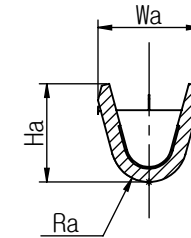
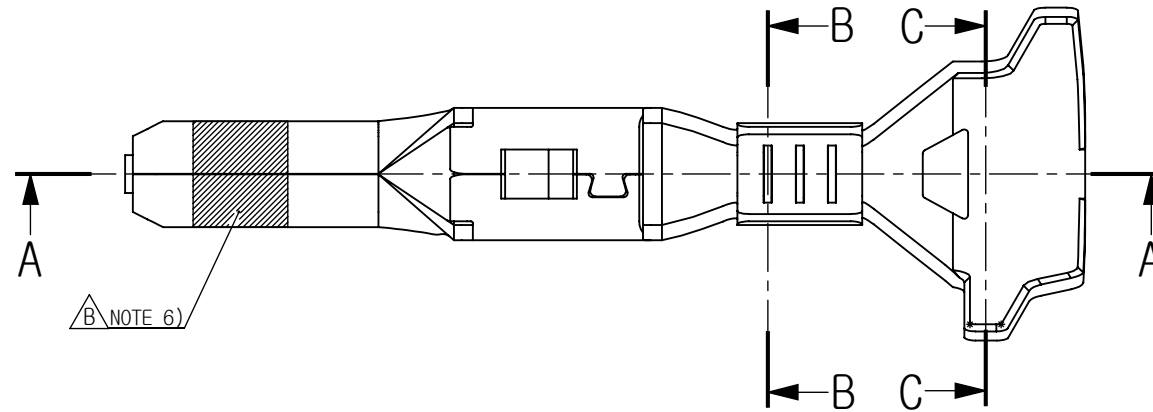
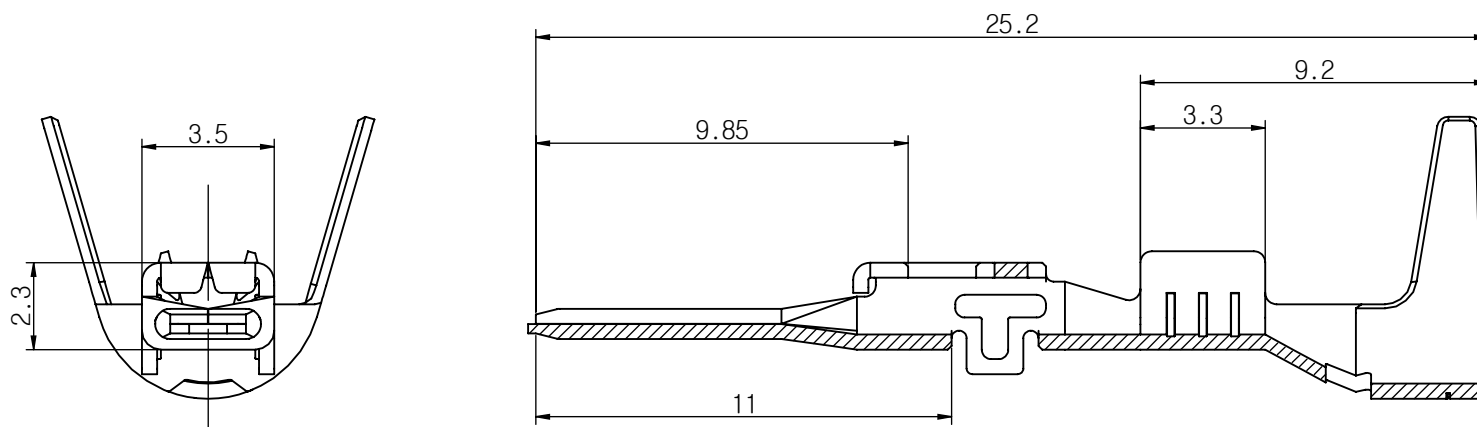


- NOTES -

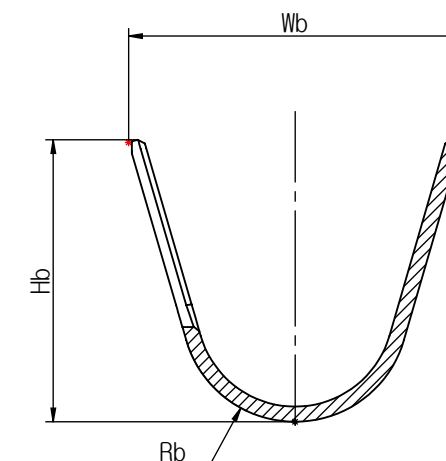
- BEFORE USING, CHECK THE HARMFUL CRACK, BURR, ETC.
- GENERAL TOLERANCES - SEE BELOW
- MARKING & CAV No. BY AS GENERAL RULE OF KUM.
- APPLICATOR CONNECTOR : NWP(110 SEALED) SERIES CONN.
- APPLICATION WIRE SEAL.



SECTION B-B



SECTION A-A



SECTION C-C

Insulation Nominal Diameter	PART NAME	PART No.
φ1.4 ~ 1.8	W/S NWP-1.4S(OR)	EMO10-00100
φ1.9 ~ 2.2	W/S NWP-1.9S(GN)	EMO10-00030
φ2.3 ~ 2.7	W/S NWP-2.3S(GY)	EMO10-00120
φ2.8 ~ 3.3	W/S NWP-2.8S(MB)	EMO10-00140
φ3.6 ~ 4.0	W/S NWP-3.6S(R)	EMO10-00060
CLOSED SEAL	W/S NWP-V(BR)	EMO10-00050

△6. Au-Plated PARTS. (OPTIONAL Au-Plated CASE)

△7. PLATING SPECIFICATIONS.

1)Sn-Plated

(1) Sn PLATE ----- MORE THAN 0.8 μm

2)Au-Plated

(1) Ni UNDER PLATE ----- MORE THAN 1.0 μm
 (2) Au PLATE ----- MORE THAN 0.38 μm

AVSS, AESSX(F), AVS, AEX(F) 2.0SQ AVS, AEX(F) 3.0SQ	2.6	1.35	8.8	4.75	7.5	4.3	Au도금	TML NWP-M-L-Au	TP161-00310	BRASS	CJW	18.11.20	-	△C	신규 전선 추가 (2개소)	LDH
AVSS, AESSX(F), AVS, AEX(F) 2.0SQ AVS, AEX(F) 3.0SQ	2.6	1.35	8.8	△4.75	7.5	△4.3	Sn도금	TML NWP-M-L	TP161-00300	BRASS	CJW	13.01.09	E013-0011	△B	금도금 사양 추가 및 오기 수정 (7개소)	PYI
AVSS, AESSX(F), AEX(F) 0.75~1.25SQ AVSSXF 1.5SQ	2.5	0.9	8.6	3.55	7.2	3.35	Au도금	TML NWP-M-M-Au	TP161-00210	BRASS	CJW	11.07.05	E011-0024	△A	치수 변경 (2개소)	PYI
AVSS, AESSX(F), AEX(F) 0.75~1.25SQ AVSSXF 1.5SQ	2.5	0.9	8.6	3.55	7.2	3.35	Sn도금	TML NWP-M-M	TP161-00200	BRASS	승인	DATE	NOTE No.	△-	신 규	PYI
AVSS, AESSX(F), AEX(F) 0.3~0.5SQ	2.5	0.8	8.5	2.7	7.0	2.6	Au도금	TML NWP-M-S-Au	TP161-00110	BRASS	DRAWING NAME TML NWP-M-S					
AVSS, AESSX(F), AEX(F) 0.3~0.5SQ	2.5	0.8	8.5	2.7	7.0	2.6	Sn도금	TML NWP-M-S	TP161-00100	BRASS	DRAWING No. TP161-00100-C01C					
적용전선 (SQ)	Rb	Ra	Wb	Wa	Hb	Ha	표면처리	PART NAME	PART No.	MATERIAL						
상 이 란							THIRD ANGLE PROJECTION	A	5/1	PYI	PYI			CJW		
							TOLERANCE	SCALE	DESIGN	DRAWN	CHECKED	APPROVED				

GENERAL TOLERANCE							
	10MAX	50MAX	100MAX	150MAX	200MAX	200VR	ANGLE
A	±0.2	±0.3	±0.5	±0.8	±1.0	±1.4	±30°

KUM 케이유엠

X-ON Electronics

Largest Supplier of Electrical and Electronic Components

Click to view similar products for [Terminals](#) category:

Click to view products by [KUM](#) manufacturer:

Other Similar products are found below :

[HT-13-10](#) [71M-250-32-NB](#) [01-2065-1-0216](#) [00581P0075](#) [M10-10RX](#) [M10BCK](#) [60205-1](#) [604200-1](#) [60598-1-CUT-TAPE](#) [60617-1-C](#) [60873-1](#) [M14-516R/SK](#) [M14-6RSX](#) [M18-10FLX](#) [M18-8FBX](#) [M18-8R/LX](#) [M18BCK](#) [61314-6-C](#) [61-S](#) [61-SN-A](#) [62149-1](#) [62-NBM-A](#) [63-S](#) [640179-1](#) [640917-2-CUT-TAPE](#) [6501550002](#) [66107-2-C](#) [696683-1](#) [696834-1](#) [696861-1](#) [696931-1](#) [696999-1](#) [M8-516RK](#) [M86700006](#) [MA250DMFMX-A](#) [701-2007](#) [701-2307](#) [701-7761-03](#) [70F-110-32-PB](#) [718-N-A](#) [71M-187-20-NBL](#) [71M-250-32-NBL](#) [72F-187-20-NBL](#) [72M-250-32-NBL](#) [7310](#) [73F-250-32](#) [73F-250-32-NBL](#) [73F-250-32-NL](#) [F14-10C](#) [F-1M](#)