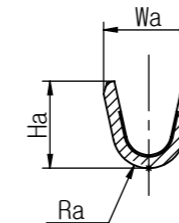
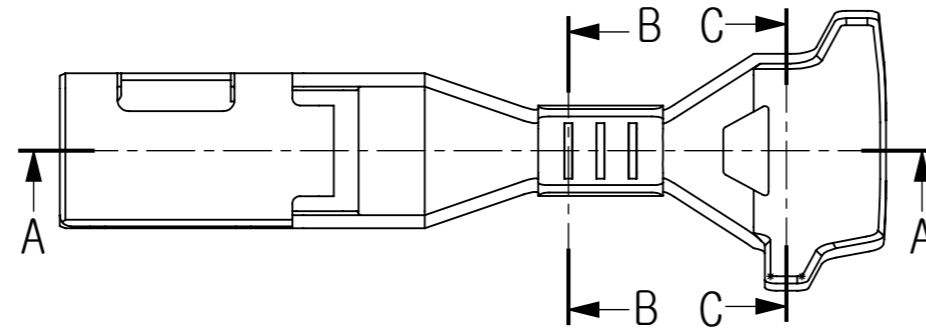


- NOTES -

- BEFORE USING, CHECK THE HARMFUL CRACK, BURR, ETC.
- GENERAL TOLERANCES - SEE BELOW
- MARKING & CAV No. BY AS GENERAL RULE OF KUM.
- APPLICATOR CONNECTOR : NWP(110 SEALED) SERIES CONN.
- APPLICATION WIRE SEAL.



SECTION B-B

Insulation Nominal Diameter	PART NAME	PART No.
Φ1.4 ~ 1.8	W/S NWP-1.4S(OR)	EM010-00100
Φ1.9 ~ 2.2	W/S NWP-1.9S(GN)	EM010-00030
Φ2.3 ~ 2.7	W/S NWP-2.3S(GY)	EM010-00120
Φ2.8 ~ 3.3	W/S NWP-2.8S(MB)	EM010-00140
Φ3.6 ~ 4.0	W/S NWP-3.6S(R)	EM010-00060
CLOSED SEAL	W/S NWP-V(BR)	EM010-00050

△6. Au-Plated PARTS. (OPTIONAL Au-Plated CASE)

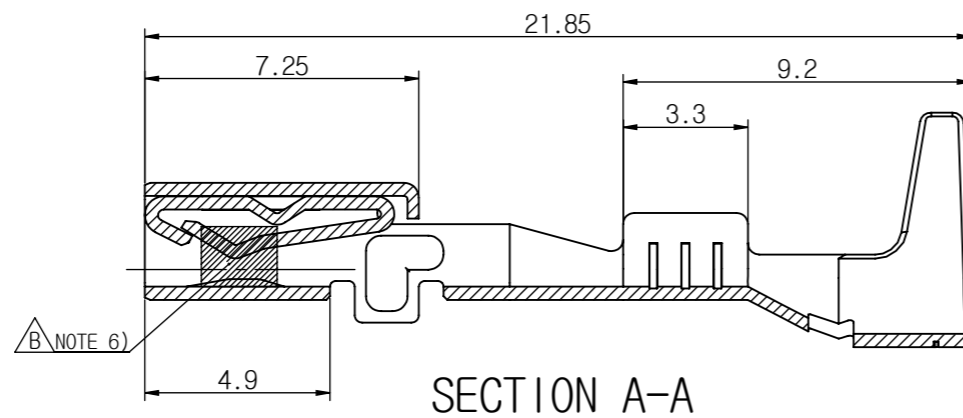
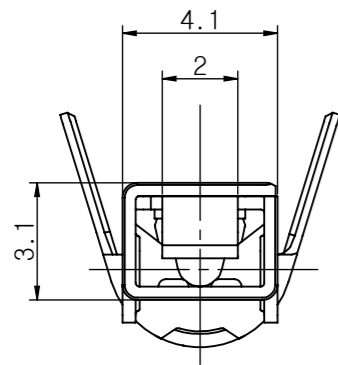
△7. PLATING SPECIFICATIONS.

1)Sn-Plated

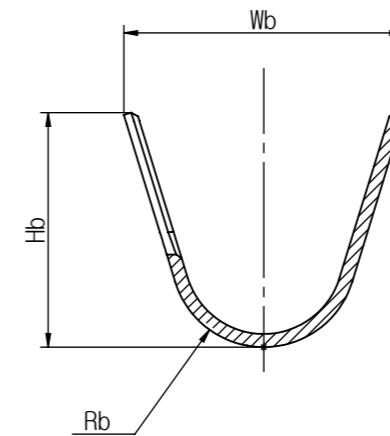
(1) Sn PLATE ----- MORE THAN 0.8 μm

2)Au-Plated

(1) Ni UNDER PLATE ----- MORE THAN 1.0 μm  
 (2) Au PLATE ----- MORE THAN 0.38 μm



SECTION A-A



SECTION C-C

적용전선	Rb	Ra	Wb	Wa	Hb	Ha	표면처리	PART NAME	PART No.	MATERIAL	
△	2.0~3.0sq	2.6	1.35	8.8	4.65	7.45	4.15	Au도금	TML NWP-F-L-Au	TP165-00310	COPPER ALLOY
	2.0~3.0sq	2.6	1.35	8.8	4.65	7.45	4.15	Sn도금	TML NWP-F-L	TP165-00300	COPPER ALLOY
△	0.75~1.25sq	2.5	0.9	8.6	3.55	7.15	3.35	Au도금	TML NWP-F-M-Au	TP165-00210	COPPER ALLOY
	0.75~1.25sq	2.5	0.9	8.6	3.55	7.15	3.35	Sn도금	TML NWP-F-M	TP165-00200	COPPER ALLOY
△	0.3~0.5sq	2.5	0.8	8.2	2.7	6.95	2.6	Au도금	TML NWP-F-S-Au	TP165-00110	COPPER ALLOY
	0.3~0.5sq	2.5	0.8	8.2	2.7	6.95	2.6	Sn도금	TML NWP-F-S	TP165-00100	COPPER ALLOY

10MAX	50MAX	100MAX	150MAX	200MAX	200VR	ANGLE
A	±0.2	±0.3	±0.5	±0.8	±1.0	±1.4 ±30°

THIRD ANGLE PROJECTION	A	5/1	PYI	PYI	CJW
	TOLERANCE	SCALE	DESIGN	DRAWN	APPROVED

승인	DATE	NOTE No.	SYM	ALTERATION	담당
CJW	13.01.09	E013-0011	△C	금도금 사양 추가 및 오기 수정 (7개소)	PYI
CJW	12.05.14	E012-0087	△B	치수 변경 (1개소)	PYI
CJW	12.03.05	E012-0047	△A	치수 변경 (1개소)	PYI
			△-	신 규	PYI

DRAWING NAME	TML NWP-F-S
DRAWING No.	TP165-00100-C01C

<b>KUM</b>	<b>케이유엠주식회사</b>
------------	-----------------

## X-ON Electronics

Largest Supplier of Electrical and Electronic Components

*Click to view similar products for [Terminals](#) category:*

*Click to view products by [KUM](#) manufacturer:*

Other Similar products are found below :

[HT-13-10](#) [71M-250-32-NB](#) [01-2065-1-0216](#) [00581P0075](#) [M10-10RX](#) [M10BCK](#) [60205-1](#) [604200-1](#) [60598-1-CUT-TAPE](#) [60617-1-C](#) [60873-1](#) [M14-516R/SK](#) [M14-6RSX](#) [M18-10FLX](#) [M18-8FBX](#) [M18-8R/LX](#) [M18BCK](#) [61314-6-C](#) [61-S](#) [61-SN-A](#) [62149-1](#) [62-NBM-A](#) [63-S](#) [640179-1](#) [640917-2-CUT-TAPE](#) [6501550002](#) [66107-2-C](#) [696683-1](#) [696834-1](#) [696861-1](#) [696931-1](#) [696999-1](#) [M8-516RK](#) [M86700006](#) [MA250DMFMX-A](#) [701-2007](#) [701-2307](#) [701-7761-03](#) [70F-110-32-PB](#) [718-N-A](#) [71M-187-20-NBL](#) [71M-250-32-NBL](#) [72F-187-20-NBL](#) [72M-250-32-NBL](#) [7310](#) [73F-250-32](#) [73F-250-32-NBL](#) [73F-250-32-NL](#) [F14-10C](#) [F-1M](#)