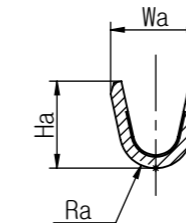
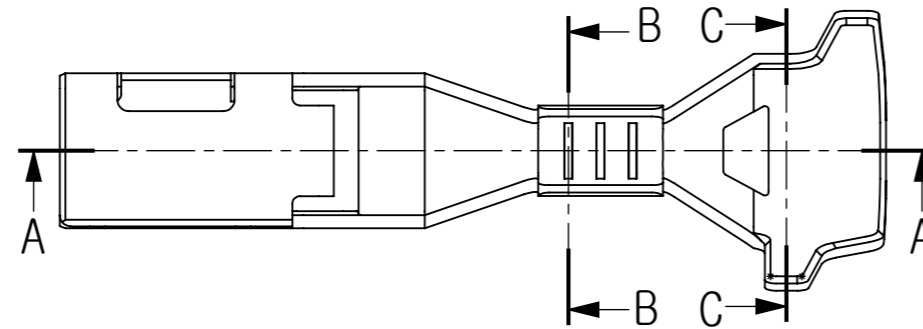


- NOTES -

- BEFORE USING, CHECK THE HARMFUL CRACK, BURR, ETC.
- GENERAL TOLERANCES - SEE BELOW
- MARKING & CAV No. BY AS GENERAL RULE OF KUM.
- APPLICATOR CONNECTOR : NWP(110 SEALED) SERIES CONN.
- APPLICATION WIRE SEAL.



SECTION B-B

| Insulation Nominal Diameter | PART NAME | PART No. |
|-----------------------------|------------------|-------------|
| Φ1.4 ~ 1.8 | W/S NWP-1.4S(OR) | EM010-00100 |
| Φ1.9 ~ 2.2 | W/S NWP-1.9S(GN) | EM010-00030 |
| Φ2.3 ~ 2.7 | W/S NWP-2.3S(GY) | EM010-00120 |
| Φ2.8 ~ 3.3 | W/S NWP-2.8S(MB) | EM010-00140 |
| Φ3.6 ~ 4.0 | W/S NWP-3.6S(R) | EM010-00060 |
| CLOSED SEAL | W/S NWP-V(BR) | EM010-00050 |

△6. Au-Plated PARTS. (OPTIONAL Au-Plated CASE)

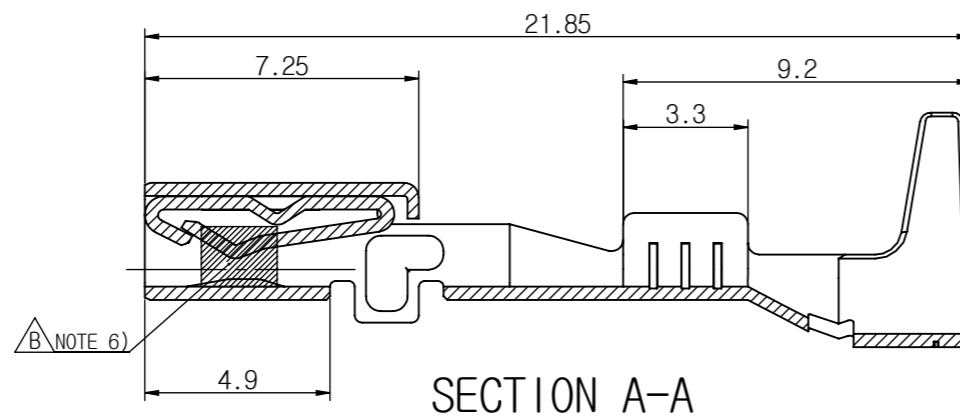
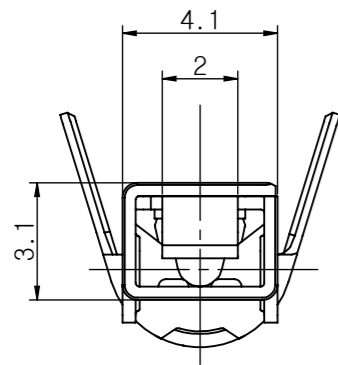
△7. PLATING SPECIFICATIONS.

1)Sn-Plated

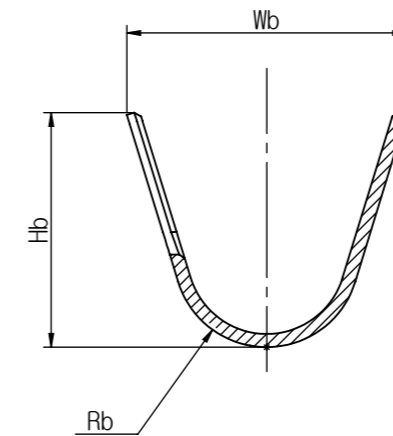
(1) Sn PLATE ----- MORE THAN 0.8 μm

2)Au-Plated

(1) Ni UNDER PLATE ----- MORE THAN 1.0 μm
 (2) Au PLATE ----- MORE THAN 0.38 μm



SECTION A-A



SECTION C-C

| 적용전선 | Rb | Ra | Wb | Wa | Hb | Ha | 표면처리 | PART NAME | PART No. | MATERIAL | |
|------|-------------|-----|------|--------|------|------|------|-----------|----------------|-------------|--------------|
| △B | 2.0~3.0sq | 2.6 | 1.35 | 8.8 | 4.65 | 7.45 | 4.15 | Au도금 | TML NWP-F-L-Au | TP165-00310 | COPPER ALLOY |
| | 2.0~3.0sq | 2.6 | 1.35 | 8.8 | 4.65 | 7.45 | 4.15 | Sn도금 | TML NWP-F-L | TP165-00300 | COPPER ALLOY |
| △B | 0.75~1.25sq | 2.5 | 0.9 | 8.6 | 3.55 | 7.15 | 3.35 | Au도금 | TML NWP-F-M-Au | TP165-00210 | COPPER ALLOY |
| | 0.75~1.25sq | 2.5 | 0.9 | 8.6 | 3.55 | 7.15 | 3.35 | Sn도금 | TML NWP-F-M | TP165-00200 | COPPER ALLOY |
| △B | 0.3~0.5sq | 2.5 | 0.8 | 8.2 | 2.7 | 6.95 | 2.6 | Au도금 | TML NWP-F-S-Au | TP165-00110 | COPPER ALLOY |
| | 0.3~0.5sq | 2.5 | 0.8 | △A 8.2 | 2.7 | 6.95 | 2.6 | Sn도금 | TML NWP-F-S | TP165-00100 | COPPER ALLOY |

| 10MAX | 50MAX | 100MAX | 150MAX | 200MAX | 200VR | ANGLE |
|-------|-------|--------|--------|--------|-------|-----------|
| A | ±0.2 | ±0.3 | ±0.5 | ±0.8 | ±1.0 | ±1.4 ±30° |

| THIRD ANGLE PROJECTION | A | 5/1 | PYI | PYI | CJW |
|------------------------|-----------|-------|--------|-------|----------|
| | TOLERANCE | SCALE | DESIGN | DRAWN | APPROVED |

| 승인 | DATE | NOTE No. | SYM | ALTERATION | 담당 |
|-----|----------|-----------|-----|-------------------------|-----|
| CJW | 13.01.09 | E013-0011 | △C | 금도금 사양 추가 및 오기 수정 (7개소) | PYI |
| CJW | 12.05.14 | E012-0087 | △B | 치수 변경 (1개소) | PYI |
| CJW | 12.03.05 | E012-0047 | △A | 치수 변경 (1개소) | PYI |
| | 11.02.08 | - | △- | 신 규 | PYI |

| DRAWING NAME | TML NWP-F-S |
|--------------|------------------|
| DRAWING No. | TP165-00100-C01C |

| | |
|------------|-----------------|
| KUM | 케이유엠주식회사 |
|------------|-----------------|

X-ON Electronics

Largest Supplier of Electrical and Electronic Components

Click to view similar products for [Terminals](#) category:

Click to view products by [KUM](#) manufacturer:

Other Similar products are found below :

[HT-13-10](#) [71M-250-32-NB](#) [01-2065-1-0216](#) [00581P0075](#) [M10-10RX](#) [M10BCK](#) [60205-1](#) [604200-1](#) [60598-1-CUT-TAPE](#) [60617-1-C](#) [60873-1](#) [M14-516R/SK](#) [M14-6RSX](#) [M18-10FLX](#) [M18-8FBX](#) [M18-8R/LX](#) [M18BCK](#) [61314-6-C](#) [61-S](#) [61-SN-A](#) [62149-1](#) [62-NBM-A](#) [63-S](#) [640179-1](#) [640917-2-CUT-TAPE](#) [6501550002](#) [66107-2-C](#) [696683-1](#) [696834-1](#) [696861-1](#) [696931-1](#) [696999-1](#) [M8-516RK](#) [M86700006](#) [MA250DMFMX-A](#) [701-2007](#) [701-2307](#) [701-7761-03](#) [70F-110-32-PB](#) [718-N-A](#) [71M-187-20-NBL](#) [71M-250-32-NBL](#) [72F-187-20-NBL](#) [72M-250-32-NBL](#) [7310](#) [73F-250-32](#) [73F-250-32-NBL](#) [73F-250-32-NL](#) [F14-10C](#) [F-1M](#)