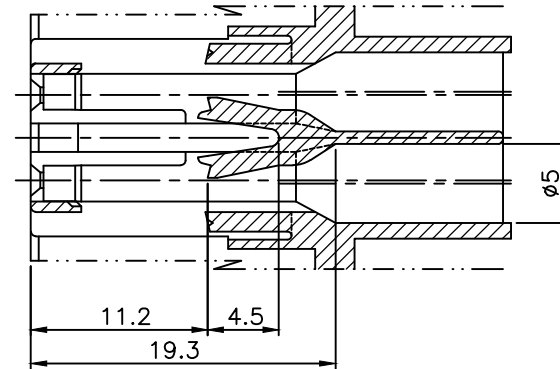
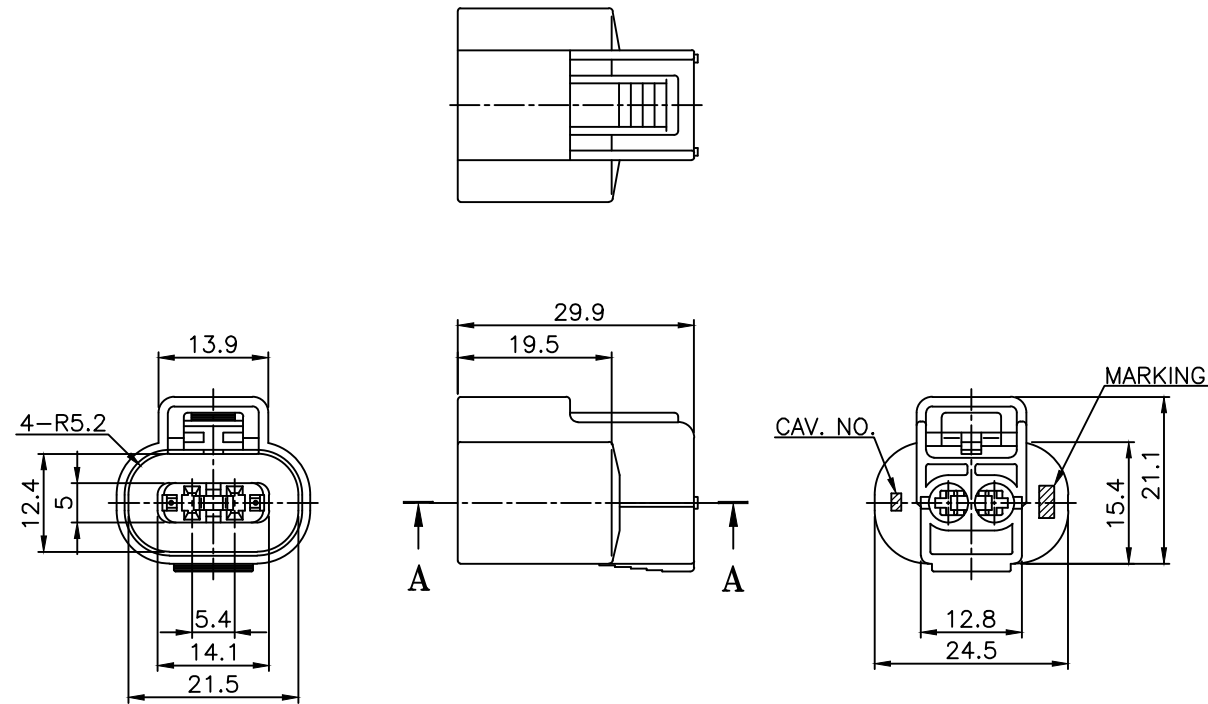


CUSTOMER DRAWING

①②③ CONN. MWP02F



SECTION A-A(2/1)

— 주 기 —

1. MARKING 및 CAV. NO는 당사 규정에 의하여 각인 할 것.
2. 상대 MATCHING CONNECTOR : CONN. MWP TAB류.
3. ASSY 부품
 - 1) FRONT HOLDER : PH815-02910
 - 2) CONNECTOR SEAL: RS210-02000
 - 3) TERMINAL

적용 전선(SQ)	PART NAME	PART NO.
AV,AVS,AVSS 0.3~0.5 / AVX,AEX 0.5	MWP-F-S	MT095-27050
AV,AVS,AVSS,AVX,AEX 0.85~2	MWP-F-M	MT095-27250
AV,AVS,AVSS 0.3~0.5 / AVX,AEX0.5	MWP-F-S-Au	MT095-27060
AV,AVS,AVSS,AVX,AEX 0.85~2	MWP-F-M-Au	MT095-27260

4) WIRE SEAL

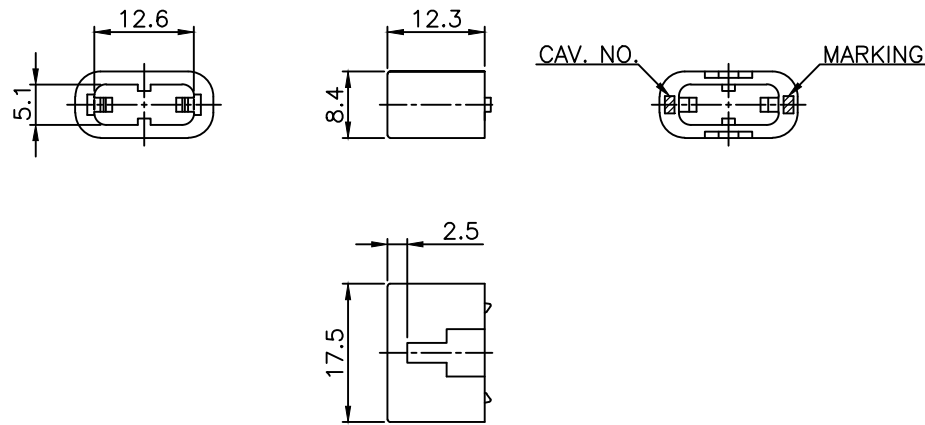
적용 전선(SQ)	PART NAME	PART NO.
AV,AVS 0.3 / AVSS 0.3~0.85	W/S MWP-0.3	RS220-01100
AV 0.5,AVSS1.25/AVS,AVX,AEX0.5~0.85	W/S MWP-SS	RS220-04100
AV 0.85,AVS 1.25	W/S MWP-S	RS220-02100
AVS,AVSS 2.0 /AV,AVX,AEX 1.25~2.0	W/S MWP-W	RS220-03100
적용SEAL용 PIN	MWP S/P	PZ001-08011

4. ASSY PART NO.

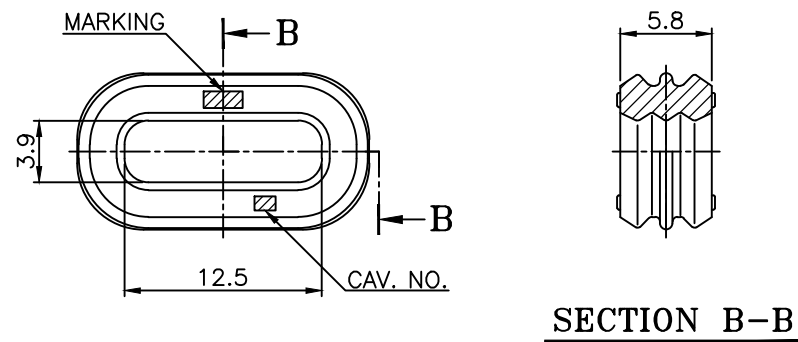
ASSY P/NAME	ASSY P/NO.	①	②	③	⑤
CONN.MWP02F-B ASSY	PH805-02028	●			●
CONN.MWP02F-L ASSY	PH805-02048		●		●
CONN.MWP02F-BR ASSY	PH805-02058			●	●

5. 본 부품은 방수형 CONNECTOR임.

④ F/H MWP02F



⑤ C/S MWP02P(2/1)



SECTION B-B

⑤	C/S MWP02P-BR	RS210-02000	BROWN	Si-Rubber						
④	F/H MWP02F-PU	PH815-02910	PURPLE	P.A	K.K.L	90.06.01	-	△	신 규	L.S.J
③	CONN. MWP02F-BR	PH805-02050	BROWN	P.B.T	승인	DATE	NOTE NO.	SYM	ALTERATION	담당
②	CONN. MWP02F-L	PH805-02040	BLUE	P.B.T	DRAWING NAME CONN. MWP02F-B ASSY					
①	CONN. MWP02F-B	PH805-02020	BLACK	P.B.T	DRAWING NO. PH805-02028-C01					
NO.	PART NAME	PART NO.	COLOR	MATERIAL						

GENERAL TOLERANCE

	10MAX	50MAX	100MAX	150MAX	200MAX	200VR	ANGLE
A	±0.2	±0.3	±0.5	±0.8	±1.0	±1.4	±30'

THIRD ANGLE PROJECTION

A	1/1(2/1)	K.H.J	L.S.J	K.K.L
TOLERANCE	SCALE	DESIGN	DRAWN	CHECKED
				APPROVED

KUM

케이유엠

X-ON Electronics

Largest Supplier of Electrical and Electronic Components

Click to view similar products for [Terminal Block Tools & Accessories](#) category:

Click to view products by [KUM](#) manufacturer:

Other Similar products are found below :

[1029563](#) [00171430102](#) [00171420102](#) [014415](#) [CSTSPC1-2](#) [9-1437653-4](#) [928358-1](#) [QC209/J](#) [HCL10-6](#) [1437403-6](#) [1437403-9](#) [1437403-8](#)
[147832-1](#) [EC0037-000](#) [MT2/H--](#) [MT2/H-32](#) [MT6/H-N](#) [MT6/V-GRND](#) [MT8/H-101-110](#) [BB2-09BF](#) [EP2.5/4UN/BG](#) [1707755](#) [1735590](#)
[1755480](#) [1760336](#) [BO3-02](#) [1789281](#) [1840227](#) [1840230](#) [1893164](#) [2-1437402-1](#) [2-1437644-9](#) [JB2-09/J](#) [2202307](#) [2204082](#) [2302463](#) [2305949](#)
[2310581](#) [8TK2-24](#) [91.201.1](#) [L2U2](#) [2778.0](#) [2901107](#) [2901123](#) [2901699](#) [2MP/J](#) [2MV-06](#) [1705126](#) [F03-25](#) [1810532](#)