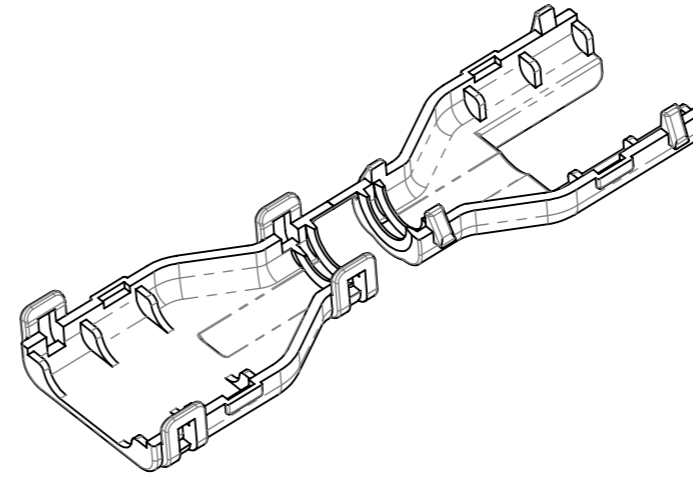
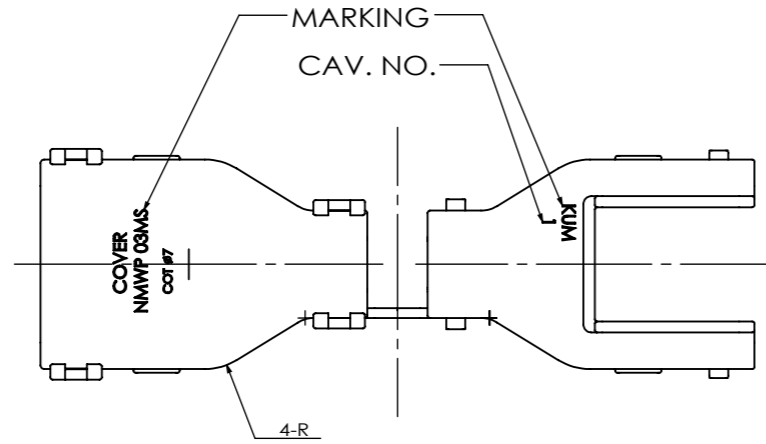
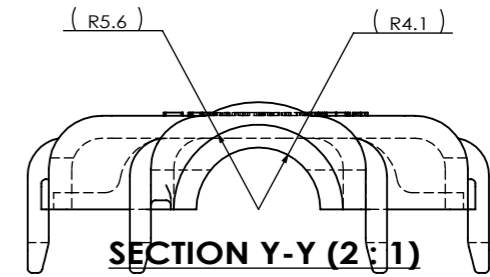
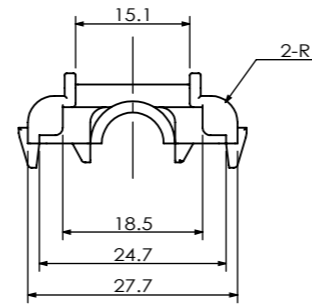
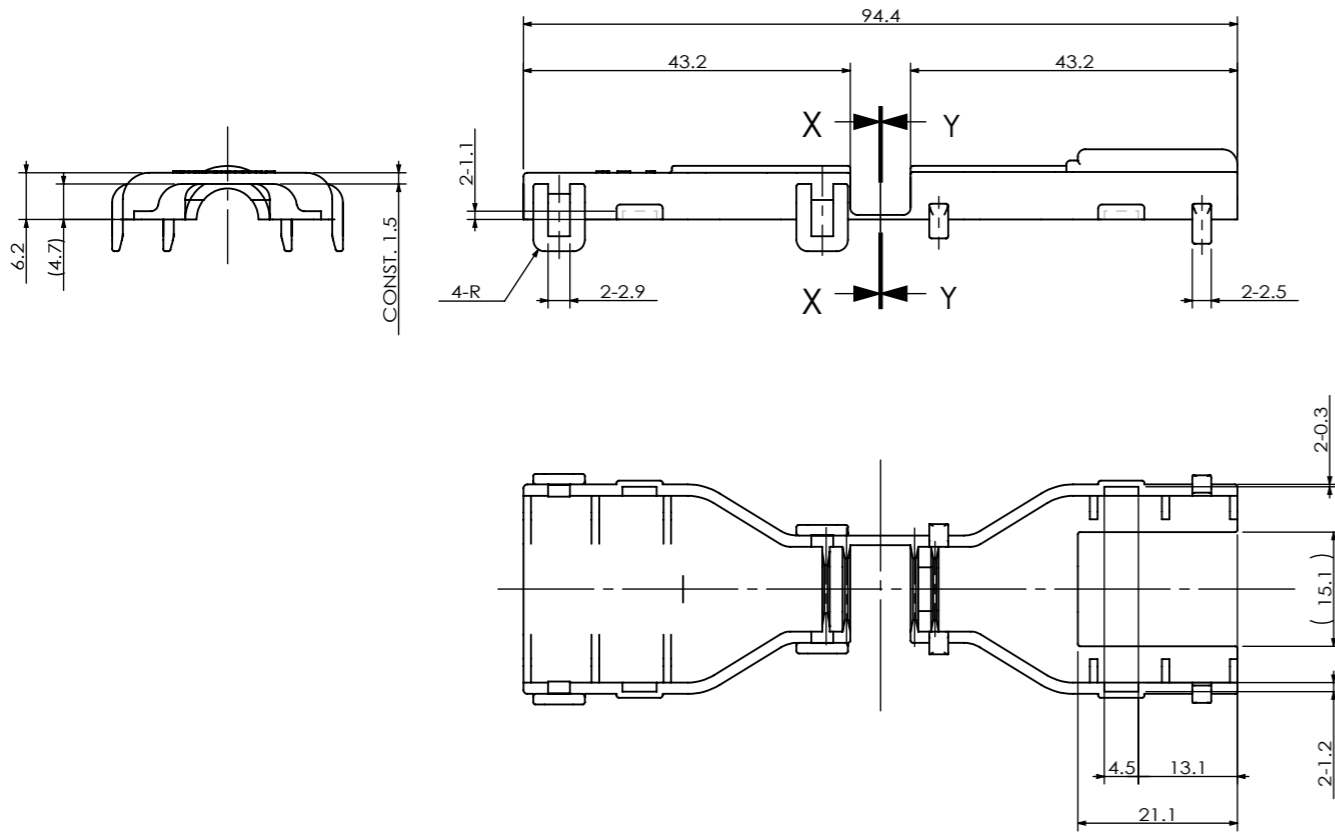
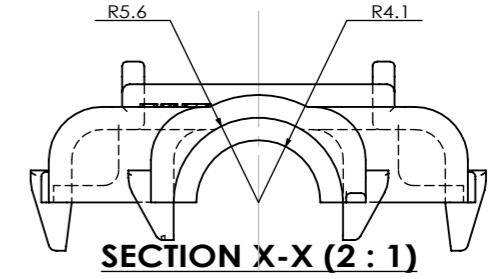


CUSTOMER DRAWING



- 주 기 -

1. 사용상 유해한 흠, BURR 등이 없을 것.
2. 지시하지 않은 R=0.3 으로 할 것.
3. MARKING 및 CAV NO. 는 당사 규정에 준할 것.
4. 적용 CORRUGATED TUBE : $\phi 7$
5. MATCHING CONNECTOR : NMWP03MS-B (HN032-03020)



GENERAL TOLERANCE							
일반 적용 공차 및 적용 규격							
	10 MAX 10 이하	50 MAX 10 초과 50 이상	100 MAX 50 초과 100 이하	150 MAX 100 초과 150 이하	200 MAX 150 초과 200 이하	200 VR 200 초과	ANGLE
A	±0.2	±0.3	±0.5	±0.8	±1.0	±1.4	±30'
B	±0.3	±0.5	±0.8	±1.0	±1.4	±2.0	±30'
C	±0.5	±0.8	±1.0	±1.4	±1.6	±2.0	±1°

COVER NMWP03MS-B		HV012-03020		BLACK		NYLON66	
PART NAME		PART NO.		COLOR		MATERIAL	
THIRD ANGLE PROJECTION	A	1/1(2/1)	P.S.H	R.H.S	-	-	C.J.W
	TOLERANCE	SCALE	DRAWN	DESIGN	CHECKED	APPROVED	

CJW	'02.05.29	-	△	신 설	PSH
SIGN	DATE	NOTE NO.	SYM	ALTERATION	SIGN
DRAWING NAME			COVER NMWP03MS-B		
DRAWING NO.			HV012-03020-C00		

KUM 케이유엠

X-ON Electronics

Largest Supplier of Electrical and Electronic Components

Click to view similar products for [Headers & Wire Housings](#) category:

Click to view products by [KUM](#) manufacturer:

Other Similar products are found below :

[95000-104TRLF](#) [10135584-644402LF](#) [DF62W-EP2022PCA](#) [95000-106TRLF](#) [DF62W-2022SCA](#) [DF62W-EP2022PC](#) [2203348](#) [DF62W-2022SC](#) [1084018](#) [1029039](#) [1084017](#) [802-10-012-10-002000](#) [1112640](#) [1112639](#) [000-34000](#) [0009482033](#) [0009507031](#) [57102-S06-03LF](#) [57202-S52-04LF](#) [PCN6-15S-2.5E](#) [0039019024](#) [58102-G61-06LF](#) [582553-1](#) [0009508121](#) [0022285053](#) [0050291907](#) [018731A](#) [LY20-4P-DT1-P1E-BR](#) [02.125.8002.8](#) [60101931](#) [60598-1 \(Cut Strip\)](#) [M1625-3R/100](#) [61062-3](#) [61082-181009](#) [636-1427](#) [638009-1](#) [641938-9](#) [641991-4](#) [644168-1](#) [647662-1](#) [65039-019ELF](#) [65817-002LF](#) [65817-015LF](#) [65863-015LF](#) [66207-023LF](#) [67016-026LF](#) [67046-001LF](#) [67095-007LF](#) [67230-005LF](#) [68002-116](#)