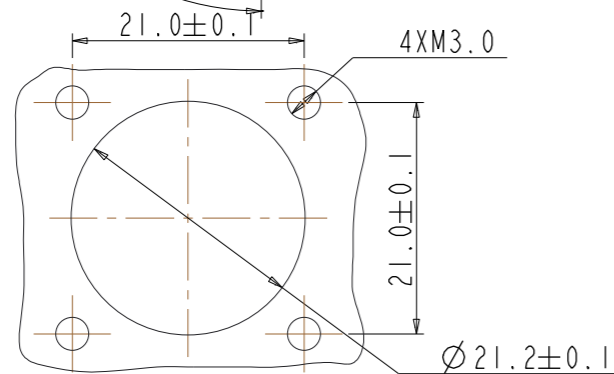
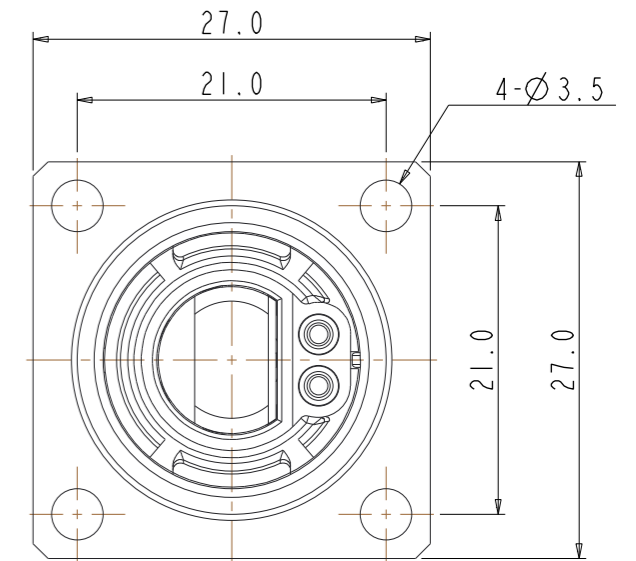
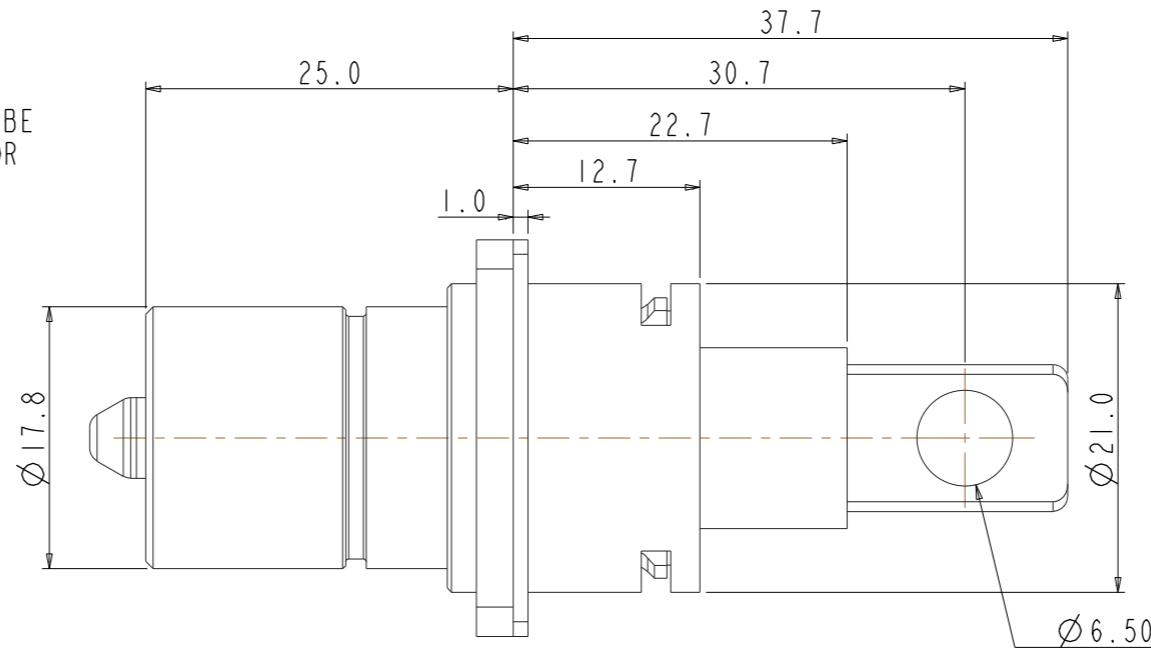
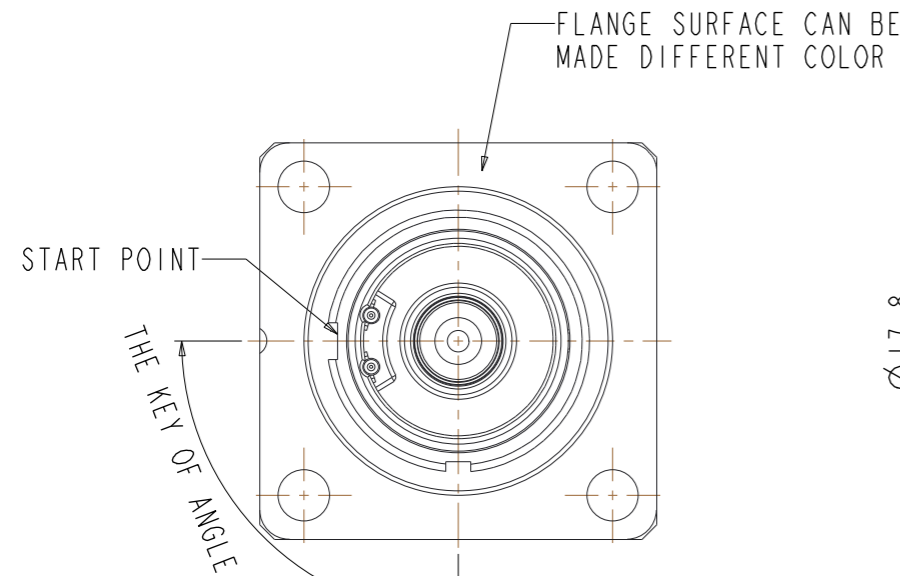
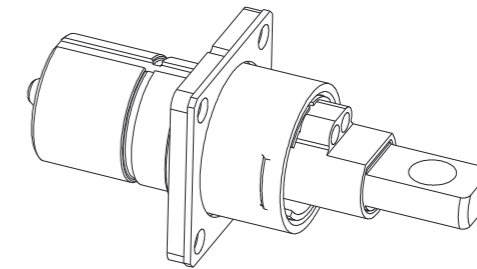
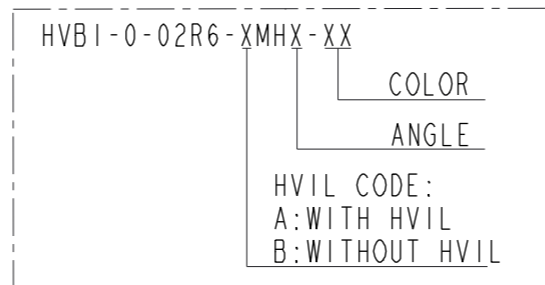


REV	ECN	DESCRIPTION	DATE	MODIFIED
D		UPDATE	2016.06.07	ROY.QU

# CUSTOMER DRAWING



PANEL CUT-OUT REFERENCE



HVBI-0-02R6-XMHX-XX

HVBI-0-02R6-XMHX-XX

TECHNICAL DATA	
CURRENT RATE(25MM <sup>2</sup> CABLE)	UP TO 120A
CURRENT RATE(20MM <sup>2</sup> CABLE)	UP TO 100A
CURRENT RATE(16MM <sup>2</sup> CABLE)	UP TO 80A
UL RATING VOLTAGE (OVERVOLTAGE CATEGORY II POLLUTION DEGREE 2)	1000V DC
OPERATING TEMPERATURE	-40~125°C
DIELECTRIC WITHSTANDING VOLTAGE	3000V AC
INSULATION RESISTANCE	2000MΩ MIN. 25°C, NO CABLE
DURABILITY	200 CYCLES
SHIELDING	--
WATERPROF(MATED CONDITION)	IP 67
PROTECTION LEVEL	IP2XB
AMBIENT TEMPERATURE	-40~70°C

WIHT HVIL		
P/N	DESCRIPTION	
	KEY OF ANGLE	FLANGE SURFACE COLOR
HVBI-0-02R6-AMHA-RD	30°	RED
HVBI-0-02R6-AMHB-BK	60°	BLACK
HVBI-0-02R6-AMHC-YL	90°	YELLOW
HVBI-0-02R6-AMHD-GR	120°	GREEN
HVBI-0-02R6-AMHE-BL	150°	BLUE
HVBI-0-02R6-AMHF-PU	180°	PURPLE

WIHTOUT HVIL		
P/N	DESCRIPTION	
	KEY OF ANGLE	FLANGE SURFACE COLOR
HVBI-0-02R6-BMHA-RD	30°	RED
HVBI-0-02R6-BMHB-BK	60°	BLACK
HVBI-0-02R6-BMHC-YL	90°	YELLOW
HVBI-0-02R6-BMHD-GR	120°	GREEN
HVBI-0-02R6-BMHE-BL	150°	BLUE
HVBI-0-02R6-BMHF-PU	180°	PURPLE

<b>DIMENSIONS</b> ANSI Y14.5M UNITS: MM Pro/E FILE	<b>TOLERANCES</b> X ±0.3 XX ±0.10 ANGLES ±0.5°	<b>PROJECTION</b> 	<b>Amphenol Pcd Shenzhen</b> ENGR ROY.QU 2016.06.07 CHKD APPD	<b>TITLE</b> <b>HVBI-R6 RECEPTACLE</b>
<b>ORIGINAL</b> NOT FOR CUSTOMER DISTRIBUTION	THIS DOCUMENT CONTAINS PROPRIETARY INFORMATION WHICH IS THE CONFIDENTIAL PROPERTY OF AMPHENOL PCD SHENZHEN		SIZE <b>A3</b>	DWG NO. <b>HVBI-0-02R6-XMHX-XX</b>
			REV <b>D</b>	CODE: 58982    SCALE: 2:1    SHEET 1 OF 1

## X-ON Electronics

Largest Supplier of Electrical and Electronic Components

*Click to view similar products for [Headers & Wire Housings](#) category:*

*Click to view products by [Amphenol](#) manufacturer:*

Other Similar products are found below :

[95000-104TRLF](#) [10135584-644402LF](#) [DF62W-EP2022PCA](#) [95000-106TRLF](#) [DF62W-2022SCA](#) [DF62W-EP2022PC](#) [2203348](#) [DF62W-2022SC](#) [1084018](#) [1029039](#) [1084017](#) [802-10-012-10-002000](#) [1112640](#) [1112639](#) [000-34000](#) [0009482033](#) [0009507031](#) [57102-S06-03LF](#) [57202-S52-04LF](#) [PCN6-15S-2.5E](#) [0039019024](#) [58102-G61-06LF](#) [582553-1](#) [0009508121](#) [0022285053](#) [0050291907](#) [018731A](#) [LY20-4P-DT1-P1E-BR](#) [02.125.8002.8](#) [60101931](#) [60598-1 \(Cut Strip\)](#) [M1625-3R/100](#) [61062-3](#) [61082-181009](#) [636-1427](#) [638009-1](#) [641938-9](#) [641991-4](#) [644168-1](#) [647662-1](#) [65039-019ELF](#) [65817-002LF](#) [65817-015LF](#) [65863-015LF](#) [66207-023LF](#) [67016-026LF](#) [67046-001LF](#) [67095-007LF](#) [67230-005LF](#) [68002-116](#)