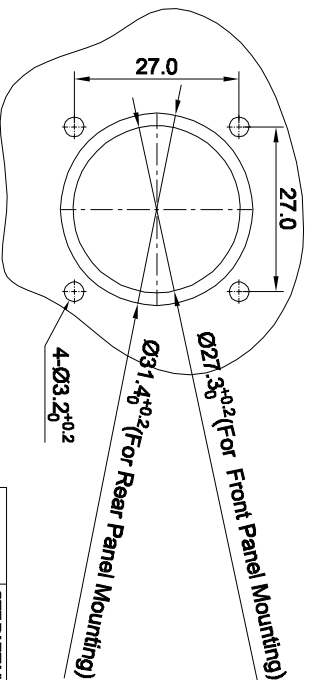
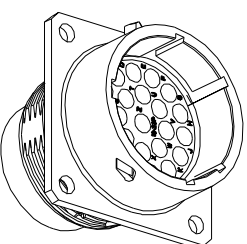
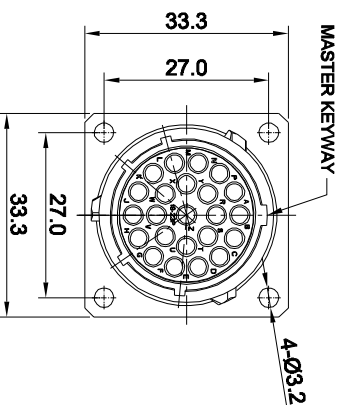
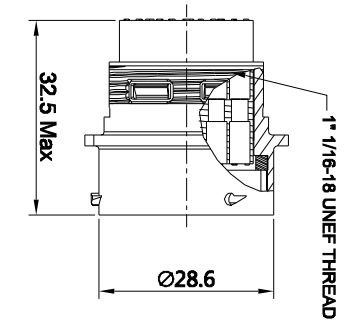


REVISIONS				
REV	ECO	DESCRIPTION	DATE	BY APPR
B1	-	RELEASED DRAWING	JUN-23-2014	BEN TOMMY



KEY POS	PART NUMBER	
	-40°C ~ -105°C	-40°C ~ 125°C
N	RT001823PN	RT001823PN03
W	RT001823PW	RT001823PW03
X	RT001823PX	RT001823PX03
Y	RT001823PY	RT001823PY03
Z	RT001823PZ	RT001823PZ03

- NOTES : (UNLESS OTHERWISE SPECIFIED)
- MATERIAL :  
SHELL : ZINC ALLOY , NICKEL PLATED.  
INSERT : THERMOPLASTIC , UL94 V-0.  
SEAL GASKET : NBR/SILICONE RUBBER.
  - SPECIFICATIONS :  
2.1 RATED CURRENT : 13A (MAX).  
2.2 RATED VOLTAGE : 300V (AC/DC).  
2.3 OPERATING TEMPERATURE : SEE CHART.  
2.4 DIELECTRIC WITHSTANDING VOLTAGE : LESS THAN 2 MILLIAMPS CURRENT LEAKAGE@2000 VOLTS AC.  
2.5 INSULATION RESISTANCE : 5000 MEGOHMS MIN.  
2.6 IP--CLASS : IP67.  
2.7 MATTING CYCLES DURABILITY : 500 CYCLES MIN.  
2.8 ROHS COMPLIANT.
  - SUITABLE CONTACTS : 16# CONTACTS.
  - ALL DIMENSIONS ARE FOR REFERENCE USE ONLY.

PANEL CUT OUT REFERENCE

QUANTITY	SEE PART NUMBER CHART	PART NUMBER	DESCRIPTION	ITER
			<b>MATERIALS LIST</b>	

UNLESS OTHERWISE SPECIFIED	SIGNATURES	DATE	THIS DRAWING IS SUPPLIED FOR SPECIFICATIONS AND PERFORMANCE DATA ONLY. THE DRAWING IS NOT TO BE USED FOR REPRODUCTION OR REPRODUCTION IN ANY MANNER. ALL DIMENSIONS ARE IN MILLIMETERS UNLESS OTHERWISE SPECIFIED.	
1) ALL DIMENSIONS ARE IN MILLIMETERS UNLESS OTHERWISE SPECIFIED.	DRAWN: BEN	JUN-23-14	SIZE	TYPE
2) Tolerances are as follows: 1 Pk. DEC 20-29 2 Pk. DEC 30-49 3 Pk. DEC 50-99	CHECKED:		B	C-
3) Note reference =	ENGINEER:		SCALE	NONE
MATERIAL SPECIFICATIONS:	APPROVAL:			
CUSTOMER:			ECO-MATE RECEPTACLE, SIZE 18,23POS. PIN.	

PROCESS SPECIFICATIONS:				
NEXT ASST:				
Sine Systems - www.amphenol-sine.com 44724 Morley Drive Clinton Township, MI 48038				
REV: B1	DWG NO:	ECO-MATE RECEPTACLE, SIZE 18,23POS. PIN.	TITLE:	
SH: 1				
RT001823P*				

## X-ON Electronics

Largest Supplier of Electrical and Electronic Components

*Click to view similar products for [Standard Circular Connector](#) category:*

*Click to view products by [Amphenol](#) manufacturer:*

Other Similar products are found below :

[C015](#) [10F006](#) [001](#) [1](#) [5M2530B10P](#) [600259N006](#) [600273N007](#) [600432N009](#) [6280-2PG-519](#) [6280-3PG-311](#) [6280-3SG-311](#) [6280-7SG-3DC](#)  
[6280-7SG-522](#) [6282-5PG-311](#) [6282-6PG-519](#) [6282-8SG-311](#) [6283-11](#) [6283-15](#) [6290](#) [6382-2PG-311](#) [6382-2PG-3DC](#) [6382-2SG-321](#) [6382-2SG-3DC](#) [6382-4SG-516](#) [67-03E20-37P](#) [680-SMG](#) [681-PMG](#) [CXS3102A14S2P](#) [CXS3102A181S](#) [CXS3106A14S6S](#) [MB12P-1](#) [MB12R-6](#)  
[7251-2PG-300](#) [7251-2SG-300](#) [7251-4PG-300](#) [7251-4SG-300](#) [7251-5PG-300](#) [7251-5SG-300](#) [7251-6SG-300](#) [7251-7PG-300](#) [7251-8PG-300](#)  
[7271-6SG-300](#) [7282-3PG-300-CH3](#) [73000005663](#) [75-190216-08S](#) [75-190218-10P](#) [75-474118-10P](#) [75-474618-01S](#) [75-474620-07P](#) [799539-000](#) [MI8-SE](#) [80-190222-18P](#) [805-005-07NF11-19PC](#)