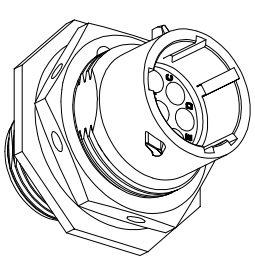
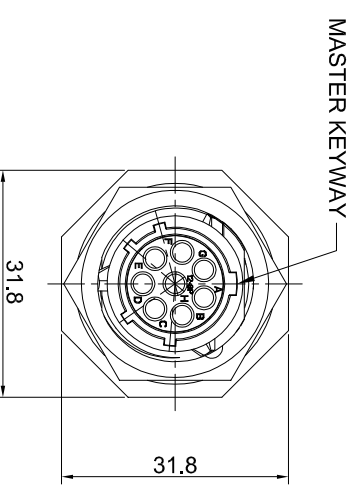
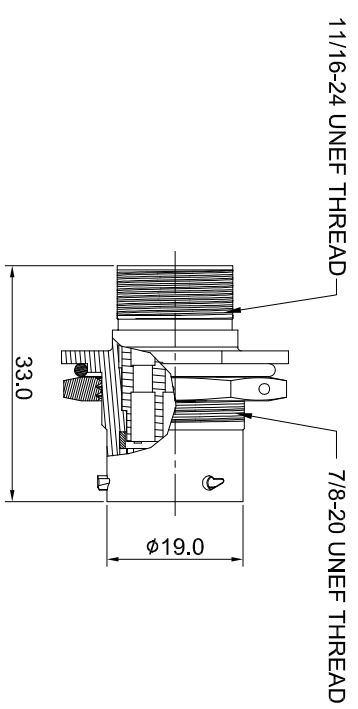
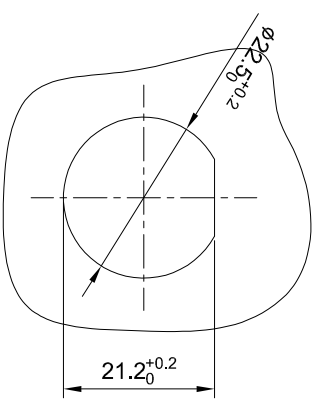


REVISIONS				
REV	ECO	DESCRIPTION	DATE	BY APPR
B1	-	RELEASED DRAWING	JULY-24-2014	BEN TOMMY
B2	-	MODIFY DIMENSION	Nov-10-2016	BEN TOMMY



NOTES : (UNLESS OTHERWISE SPECIFICATION)

- MATERIAL :  
SHELL : ZINC ALLOY , NICKEL PLATED.  
INSERT : THERMOPLASTIC , UI94 V-0.  
O-RING : NBR/SILICONE RUBBER.  
SEAL GASKET : NBR/SILICONE RUBBER.  
NUTS : AL ALLOY , NICKEL PLATED.
- SPECIFICATIONS :  
2.1 RATED CURRENT : 13A (MAX).  
2.2 RATED VOLTAGE : 300V(AC/DC).  
2.3 OPERATING TEMPERATURE : SEE CHART.  
2.4 DIELECTRIC WITHSTANDING VOLTAGE : LESS THAN 2 MILLAMPS CURRENT LEAKAGE@2000 VOLTS AC.  
2.5 INSULATION RESISTANCE : 5000 MEGOHMS MIN.  
2.6 IP--CLASS : IP67.  
2.7 MATING CYCLES DURABILITY : 500 CYCLES MIN.  
2.8 ROHS COMPLIANT.
- SUITABLE CONTACTS : 16# CONTACTS.
- ALL DIMENSIONS ARE FOR REFERENCE USE ONLY.



KEY POS	PART NUMBER
	-40°C ~ 105°C
N	RT07128PN RT07128PN03
W	RT07128PW RT07128PW03
X	RT07128PX RT07128PX03
Y	RT07128PY RT07128PY03
Z	RT07128PZ RT07128PZ03

PANEL CUT OUT REFERENCE

QUANTITY	SEE PART NUMBER CHART	PART NUMBER	DESCRIPTION	ITEM

**MATERIALS LIST**

SIGNATURES	DATE	DESCRIPTION
DRAWN: Ben	Nov-10-2016	<p><b>Amphenol</b></p> <p>Site Systems - www.amphenol-site.com 44724 Moley Drive Clinton Township, MI 48036</p> <p>ECO-MATE, RECEPTACLE, JAM NUT, SIZE 12.8POS, PIN.</p>
CHECKED:		
ENGINEER:		
APPROVAL:		

UNLESS OTHERWISE SPECIFIED		THIS DRAWING IS SUPPLIED FOR INFORMATION ONLY. DESIGN FEATURES, DIMENSIONS AND TOLERANCES SHOWN HEREON ARE THE PROPERTY OF AMPHENOL AND ARE NOT TO BE REPRODUCED OR TRANSMITTED IN ANY FORM OR BY ANY MEANS, ELECTRONIC OR MECHANICAL, WITHOUT PERMISSION IN WRITING FROM AMPHENOL. DIMENSIONS ARE SUBJECT TO NORMAL MANUFACTURING VARIATIONS.	
17# A: See drawing	21# Tolerances are as follows: 1 Pl. DEC ±0.30 2 Pl. DEC ±0.15 3) Note reference = X	SIZE TYPE	DWG NO.
1 Pl. DEC ±0.30 2 Pl. DEC ±0.15 3) Note reference = X	Angles ±1°	B C-	RT07128P**
MATERIAL SPECIFICATIONS:		SCALE: NONE	REVISION
PROCESS SPECIFICATIONS:			B2
NEXT ASSY:			

## X-ON Electronics

Largest Supplier of Electrical and Electronic Components

*Click to view similar products for [Standard Circular Connector](#) category:*

*Click to view products by [Amphenol](#) manufacturer:*

Other Similar products are found below :

[C015](#) [10F006](#) [001](#) [1](#) [5M2530B10P](#) [600259N006](#) [600273N007](#) [600432N009](#) [6280-2PG-519](#) [6280-3PG-311](#) [6280-3SG-311](#) [6280-7SG-3DC](#)  
[6280-7SG-522](#) [6282-5PG-311](#) [6282-6PG-519](#) [6282-8SG-311](#) [6283-11](#) [6283-15](#) [6290](#) [6382-2PG-311](#) [6382-2PG-3DC](#) [6382-2SG-321](#) [6382-2SG-3DC](#) [6382-4SG-516](#) [67-03E20-37P](#) [680-SMG](#) [681-PMG](#) [CXS3102A14S2P](#) [CXS3102A181S](#) [CXS3106A14S6S](#) [MB12P-1](#) [MB12R-6](#)  
[7251-2PG-300](#) [7251-2SG-300](#) [7251-4PG-300](#) [7251-4SG-300](#) [7251-5PG-300](#) [7251-5SG-300](#) [7251-6SG-300](#) [7251-7PG-300](#) [7251-8PG-300](#)  
[7271-6SG-300](#) [7282-3PG-300-CH3](#) [73000005663](#) [75-190216-08S](#) [75-190218-10P](#) [75-474118-10P](#) [75-474618-01S](#) [75-474620-07P](#) [799539-000](#) [MI8-SE](#) [80-190222-18P](#) [805-005-07NF11-19PC](#)