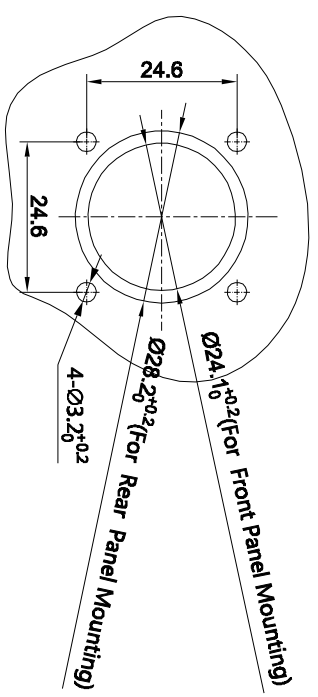
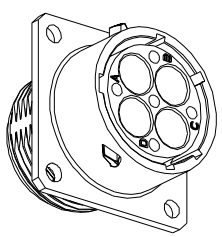
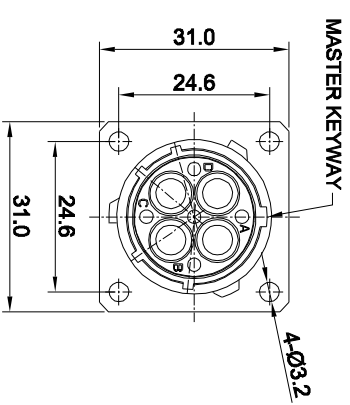
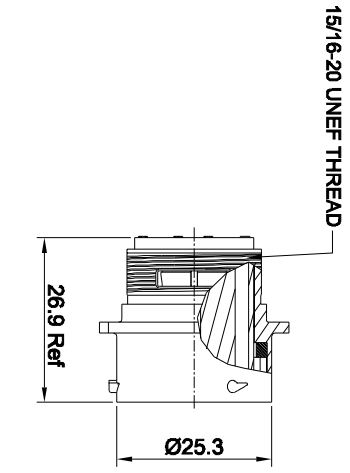


REVISIONS				
REV	ECO	DESCRIPTION	DATE	BY APPR
B1	-	RELEASED DRAWING	JUN-20-2014	BEN TOMMY



KEY POS	PART NUMBER	TEMPERATURE
N	RT00164P#N	-40°C ~ 125°C
W	RT00164P#W	-40°C ~ 125°C
X	RT00164P#X	-40°C ~ 125°C
Y	RT00164P#Y	-40°C ~ 125°C
Z	RT00164P#Z	-40°C ~ 125°C

- NOTES : (UNLESS OTHERWISE SPECIFIED)
- MATERIAL :  
SHELL : ZINC ALLOY , NICKEL PLATED.  
INSERT : THERMOPLASTIC , UL94 V-0.  
SEAL GASKET : NBR/SILICONE RUBBER.
  - SPECIFICATIONS :  
2.1 RATED CURRENT : 45A (MAX).  
2.2 RATED VOLTAGE : 500V ( AC/DC ).  
2.3 OPERATING TEMPERATURE : SEE CHART.  
2.4 DIELECTRIC WITHSTANDING VOLTAGE : LESS THAN 2 MILLIAMPS CURRENT LEAKAGE@2000 VOLTS AC.  
2.5 INSULATION RESISTANCE : 5000 MEGOHMS MIN.  
2.6 IP--CLASS : IP67.  
2.7 MATING CYCLES DURABILITY : 500 CYCLES MIN.  
2.8 ROHS COMPLIANT.
  - SUITABLE CONTACTS : 8# CONTACTS.
  - ALL DIMENSIONS ARE FOR REFERENCE USE ONLY.

PANEL CUT OUT REFERENCE

QUANTITY	SEE PART NUMBER CHART	PART NUMBER		DESCRIPTION	ITEM
<p><b>MATERIALS LIST</b></p> <p>UNLESS OTHERWISE SPECIFIED</p> <p>1) ALL DIMENSIONS ARE IN MILLIMETERS. 2) TOLERANCES ARE AS SHOWN. 3) P1, DEC 20 08 4) P2, DEC 20 08 5) P3, DEC 20 08 6) P4, DEC 20 08 7) P5, DEC 20 08 8) P6, DEC 20 08 9) Note reference =  A</p> <p>CUSTOMER: _____</p> <p>APPROVAL: _____</p> <p>ENGINEER: _____</p> <p>DRAWN: BBI</p> <p>DATE: JUN 20 2014</p> <p>ECO-MATE RECEPTACLE, SIZE 16, 4POS, PIN.</p> <p>Shine Systems - www.amphenol-shine.com 44724 Morley Drive Clinton Township, MI 48038</p>					
PROCESS SPECIFICATIONS:	THIS DRAWING IS SUPPLIED FOR INFORMATION ONLY. IT IS NOT TO BE USED FOR THE MANUFACTURE OF REPRODUCTION AND PERFORMANCE DATA. THE MANUFACTURER ASSUMES ALL RESPONSIBILITIES FOR THE MANUFACTURING VARIATION.				
NEXT ASST:	SCALE	TYPE	DWG NO.	REVISION	REVISION
	NONE	B	RT00164P#	B1	B1
				SHEET 1	OF 1

## X-ON Electronics

Largest Supplier of Electrical and Electronic Components

*Click to view similar products for [Standard Circular Connector](#) category:*

*Click to view products by [Amphenol](#) manufacturer:*

Other Similar products are found below :

[C015](#) [10F006](#) [001](#) [1](#) [5M2530B10P](#) [600259N006](#) [600273N007](#) [600432N009](#) [6280-2PG-519](#) [6280-3PG-311](#) [6280-3SG-311](#) [6280-7SG-3DC](#)  
[6280-7SG-522](#) [6282-5PG-311](#) [6282-6PG-519](#) [6282-8SG-311](#) [6283-11](#) [6283-15](#) [6290](#) [6382-2PG-311](#) [6382-2PG-3DC](#) [6382-2SG-321](#) [6382-2SG-3DC](#) [6382-4SG-516](#) [67-03E20-37P](#) [680-SMG](#) [681-PMG](#) [CXS3102A14S2P](#) [CXS3102A181S](#) [CXS3106A14S6S](#) [MB12P-1](#) [MB12R-6](#)  
[7251-2PG-300](#) [7251-2SG-300](#) [7251-4PG-300](#) [7251-4SG-300](#) [7251-5PG-300](#) [7251-5SG-300](#) [7251-6SG-300](#) [7251-7PG-300](#) [7251-8PG-300](#)  
[7271-6SG-300](#) [7282-3PG-300-CH3](#) [73000005663](#) [75-190216-08S](#) [75-190218-10P](#) [75-474118-10P](#) [75-474618-01S](#) [75-474620-07P](#) [799539-000](#) [MI8-SE](#) [80-190222-18P](#) [805-005-07NF11-19PC](#)