

TITLE: ECO-MATE PLUG, SIZE 16, 4POS, SOCKET, END CAP.

DWG NO: RT06164S\*HEC03

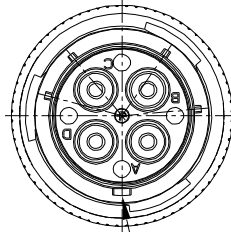
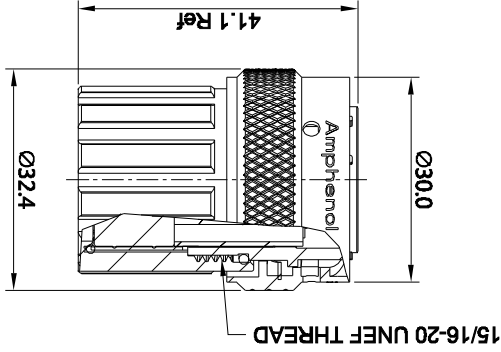
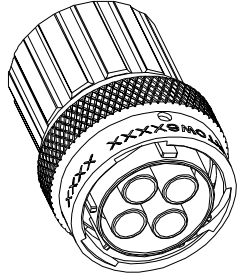
REV: B1

SH: 1

OF: 1

REV	ECO	DESCRIPTION	DATE	BY	APPR
B1	-	RELEASED DRAWING	JULY-03-2014	BEN	TOMMY

REVISIONS



MASTER KEYWAY

NOTES : (UNLESS OTHERWISE SPECIFIED)

1. MATERIAL :

SHELL : ZINC ALLOY , NICKEL PLATED.

INSERT : THERMOPLASTIC , UL94 V-0.

END CAP : THERMOPLASTIC , UL94 V-0.

COUPLING NUT : AL ALLOY , NICKEL PLATED.

WAVE WASHER : STAINLESS STEEL

O-RING : SILICONE RUBBER.

WIRE SEAL : SILICONE RUBBER.

PLASTIC BUSHING : THERMOPLASTIC , UL94 V-0.

2. SPECIFICATIONS :

2.1 RATED CURRENT : 45A (MAX) .

2.2 RATED VOLTAGE : 500V ( AC/DC ) .

2.3 OPERATING TEMPERATURE : -40°C ~ +125°C .

2.4 DIELECTRIC WITHSTANDING VOLTAGE : LESS THAN 2 MILLIVOLTS CURRENT LEAKAGE@2000 VOLTS AC.

2.5 INSULATION RESISTANCE : 5000 MEGOHMS MIN.

2.6 IP--CLASS : IP67.

2.7 MATING CYCLES DURABILITY : 500 CYCLES(MIN).

2.8 ROHS COMPLIANT.

3. SUITABLE CONTACTS : #8 CONTACTS.

4. ALL DIMENSIONS ARE FOR REFERENCE USE ONLY.

5. CONTACT SIZE AND REAR SEAL WIRE RANGE :

CONTACT SIZE	MIN. INSUL.O.D.	MAX. INS O.D.	WIRE RANGE
#8	Ø2.8mm	Ø5.8mm	12 - 10AWG

SEE PART NUMBER CHART	QUANTITY	DESCRIPTION	ITEM
<b>MATERIALS LIST</b>			

UNLESS OTHERWISE SPECIFIED	SIGNATURES	DATE
1) All dimensions are in millimeters. 2) Tolerances are as follows: 1 PL DEC ±0.30 2 PL DEC ±0.16 Angles ±1°	DRAWN: BEN ALY: 03/04/14	
3) Note reference = 1 PL DEC ±0.30 2 PL DEC ±0.16 Angles ±1°	ENGINEER: APPROVAL:	
THIS DRAWING IS SUPPLIED FOR INFORMATION ONLY. DESIGN FEATURES, SPECIFICATIONS AND PERFORMANCE DATA SHOWN HEREON ARE THE PROPERTY OF AMPHENOL CORPORATION. NO RIGHTS OF REPRODUCTION ARE GRANTED. ALL DRAWINGS ARE SUBJECT TO NORMAL MANUFACTURING VARIATIONS.	CUSTOMER: APPROVAL:	

Sine Systems - www.amphenol-sine.com 44724 Money Drive Clinton Township, MI 48036	ECO-MATE PLUG, SIZE 16, 4POS, SOCKET, END CAP.
REVISION RT06164S*HEC03 B1	SCALE: NONE SHEET 1 OF 1

## X-ON Electronics

Largest Supplier of Electrical and Electronic Components

*Click to view similar products for [Standard Circular Connector](#) category:*

*Click to view products by [Amphenol](#) manufacturer:*

Other Similar products are found below :

[C015](#) [10F006](#) [001](#) [1](#) [5M2530B10P](#) [600259N006](#) [600273N007](#) [600432N009](#) [6280-2PG-519](#) [6280-3PG-311](#) [6280-3SG-311](#) [6280-7SG-3DC](#)  
[6280-7SG-522](#) [6282-5PG-311](#) [6282-6PG-519](#) [6282-8SG-311](#) [6283-11](#) [6283-15](#) [6290](#) [6382-2PG-311](#) [6382-2PG-3DC](#) [6382-2SG-321](#) [6382-2SG-3DC](#) [6382-4SG-516](#) [67-03E20-37P](#) [680-SMG](#) [681-PMG](#) [CXS3102A14S2P](#) [CXS3102A181S](#) [CXS3106A14S6S](#) [MB12P-1](#) [MB12R-6](#)  
[7251-2PG-300](#) [7251-2SG-300](#) [7251-4PG-300](#) [7251-4SG-300](#) [7251-5PG-300](#) [7251-5SG-300](#) [7251-6SG-300](#) [7251-7PG-300](#) [7251-8PG-300](#)  
[7271-6SG-300](#) [7282-3PG-300-CH3](#) [73000005663](#) [75-190216-08S](#) [75-190218-10P](#) [75-474118-10P](#) [75-474618-01S](#) [75-474620-07P](#) [799539-000](#) [MI8-SE](#) [80-190222-18P](#) [805-005-07NF11-19PC](#)