

-30V P - Channel MOSFET

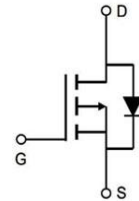
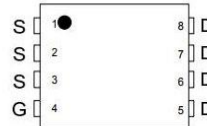
Description

-30V /-17A Power MOSFET

Very low on-resistance $R_{DS(on)}$ @ $V_{GS}=4.5V$

Pb-free lead plating; RoHS compliant

Top View






General Features

V_{DS}	-30	V
$R_{DS(on),TYP@V_{GS}=10V}$	12.0	m Ω
$R_{DS(on),TYP@V_{GS}=4.5}$	16.5	m Ω
I_D	-17	A

- High power and current handling capability
- Lead free product is acquired
- Surface mount package

◆ Ordering Information

Ordering Number		Package	Pin Assignment								Packing
Lead Free	Halogen Free		1	2	3	4	5	6	7	8	
SM4447APRL	SM4447APRG	SOP-8	S	S	S	G	D	D	D	D	Tape Reel
<p>SM4447A X X X</p> <p>(1)Package Type </p> <p>(2)Packing Type </p> <p>(3)Lead Free </p>			<p>(1) P: SOP-8</p> <p>(2) R: Tape Reel</p> <p>(3) G: Halogen Free; L: Lead Free</p>								



◆ Absolute Maximum Ratings ($T_A=25^\circ\text{C}$, unless otherwise noted)

Parameter	Symbol	Limit	Unit
Drain-Source Voltage	V_{DS}	- 30	V
Gate-Source Voltage	V_{GS}	± 20	V
Drain Current-Continuous	I_D	-17.0	A
Drain Current-Pulsed (Note 1)	I_{DM}	-27.2	A
Maximum Power Dissipation	P_D	3.1	W
Operating Junction and Storage Temperature Range	T_J, T_{STG}	-55 To 150	$^\circ\text{C}$

a:Fused current that based on wire numbers and diameter

b:Repetitive Rating: Pulse width limited by the maximum junction temperature

c:1-in² 2oz Cu PCB board

◆ Electrical Characteristics ($T_A=25^\circ\text{C}$, unless otherwise noted)

Parameter	Symbol	Condition	Min	Typ	Max	Unit
Off Characteristics						
Drain-Source Breakdown Voltage	BV_{DSS}	$V_{GS}=0V, I_D=-250\mu A$	- 30	-	-	V
Zero Gate Voltage Drain Current	I_{DSS}	$V_{DS}=-30V, V_{GS}=0V$	-	-	-1	μA
Gate-Body Leakage Current	I_{GSS}	$V_{GS}=\pm 20V, V_{DS}=0V$	-	-	± 100	nA
On Characteristics (Note 3)						
Gate Threshold Voltage	$V_{GS(th)}$	$V_{DS}=V_{GS}, I_D=-250\mu A$	-1.3	-2	-2.6	V
Drain-Source On-State Resistance	$R_{DS(on)}$	$V_{GS}=-10V, I_D=-17A$	-	12.0	15.0	m Ω
Forward Transconductance	g_{FS}	$V_{DS}=-5V, I_D=-6.2A$	-	82	-	S
Dynamic Characteristics (Note4)						
Input Capacitance	C_{iss}	$V_{GS}=0V, V_{DS}=-15V, f=1MHz$	-	2823	-	PF
Output Capacitance	C_{oss}		-	574	-	PF
Reverse Transfer Capacitance	C_{rss}		-	424	-	PF
Switching Characteristics (Note 4)						
Turn-on Delay Time	$t_{d(on)}$	$V_{GS}=-10V, V_{DS}=-15V, R_L=0.75\Omega, R_{GEN}=3\Omega$	-	11.15	-	nS
Turn-on Rise Time	t_r		-	8.92	-	nS
Turn-Off Delay Time	$t_{d(off)}$		-	31.22	-	nS
Turn-Off Fall Time	t_f		-	10.035	-	nS
Total Gate Charge	Q_g	$V_{GS}=-10V, V_{DS}=-15V, I_D=-17A$	-	54	-	nC
Gate-Source Charge	Q_{gs}		-	11.2	-	nC
Gate-Drain Charge	Q_{gd}		-	16	-	nC
Drain-Source Diode Characteristics						
Diode Forward Voltage (Note 3)	V_{SD}	$I_S=-1A, V_{GS}=0V$	-	-	-1	V

Note: Pulse Test: Pulse Width $\leq 300\mu s$, Duty Cycles $\leq 2\%$

d: Guaranteed by design: not subject to production testing

Typical Electrical and Thermal Characteristics

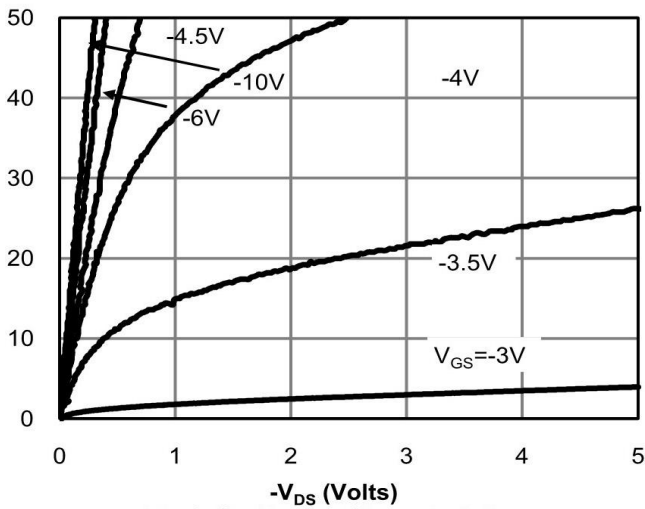


Fig 1: On-Region Characteristics

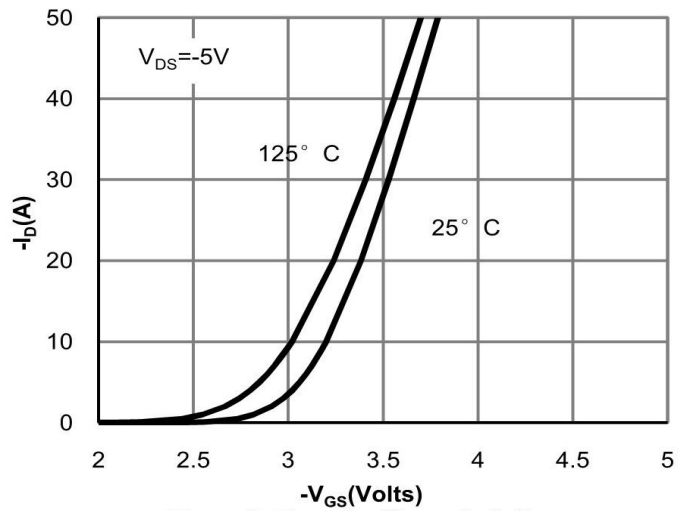


Figure 2: Transfer Characteristics

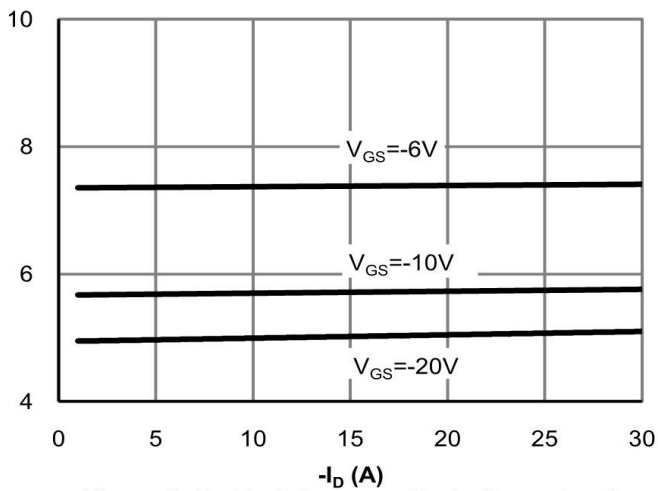


Figure 3: On-Resistance vs. Drain Current and Gate Voltage

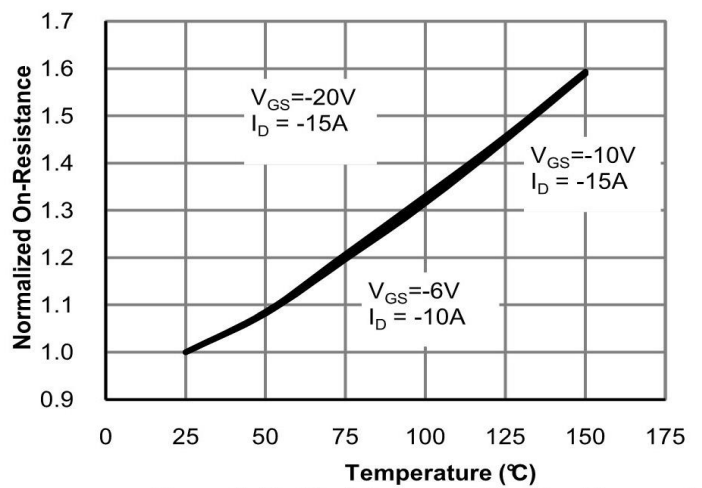
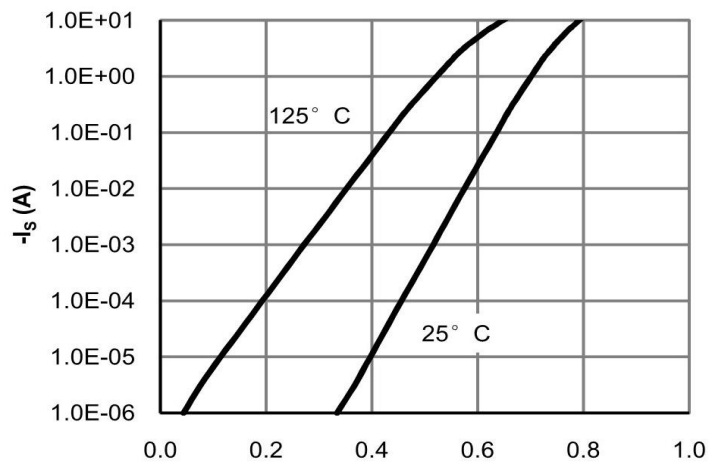
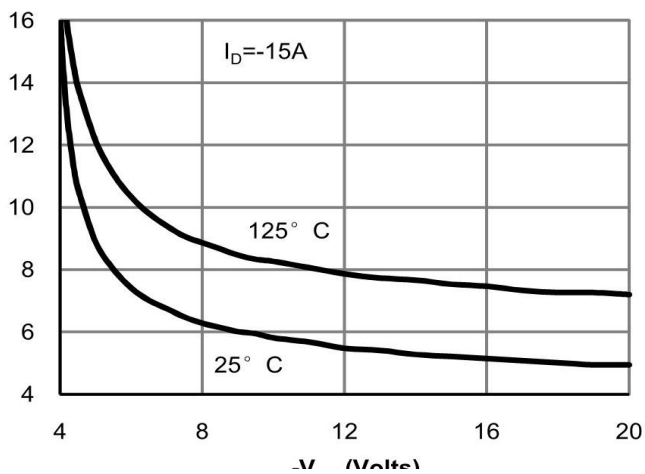


Figure 4: On-Resistance vs. Junction Temperature



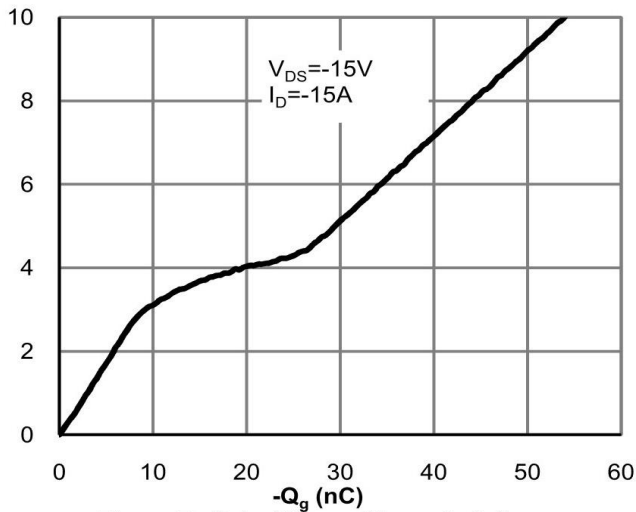


Figure 7: Gate-Charge Characteristics

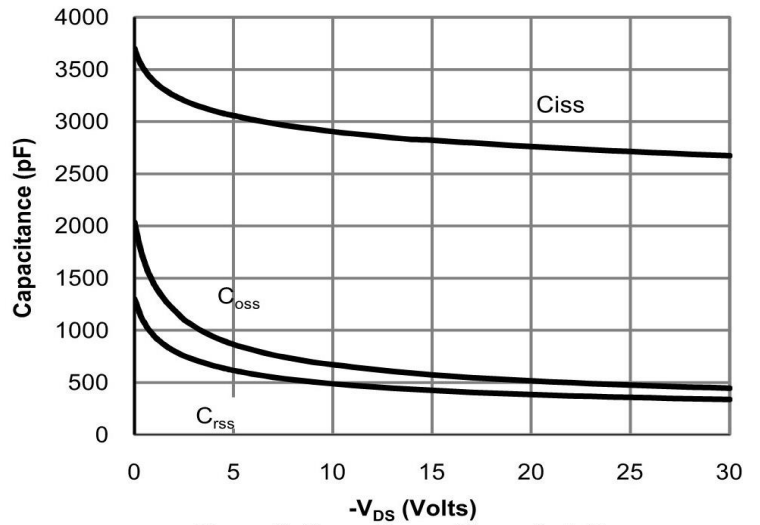


Figure 8: Capacitance Characteristics

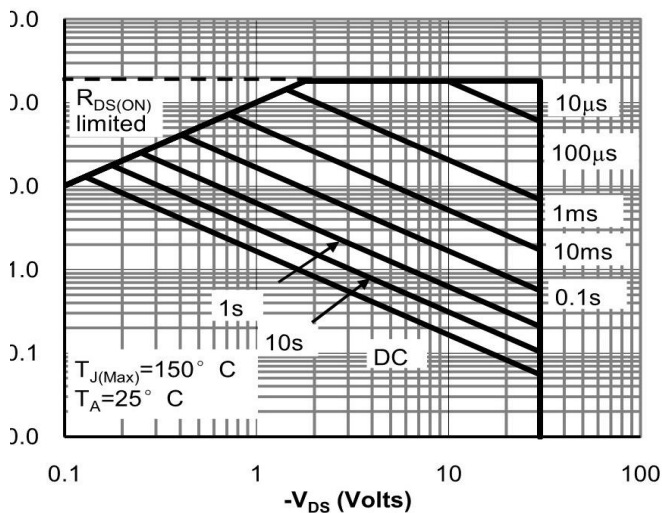


Figure 9: Maximum Forward Biased Safe

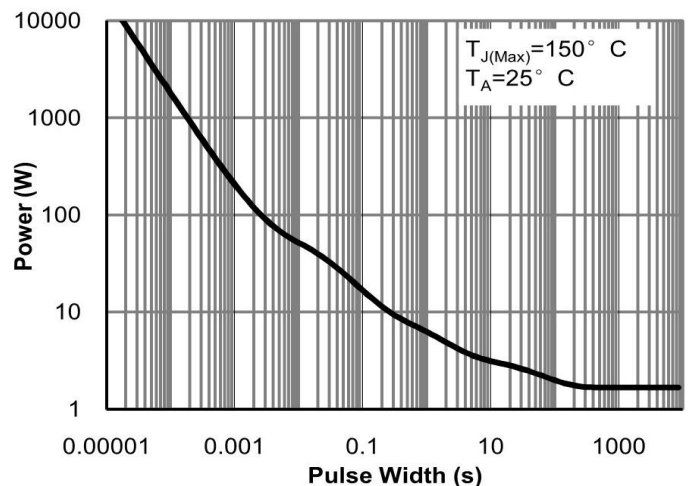
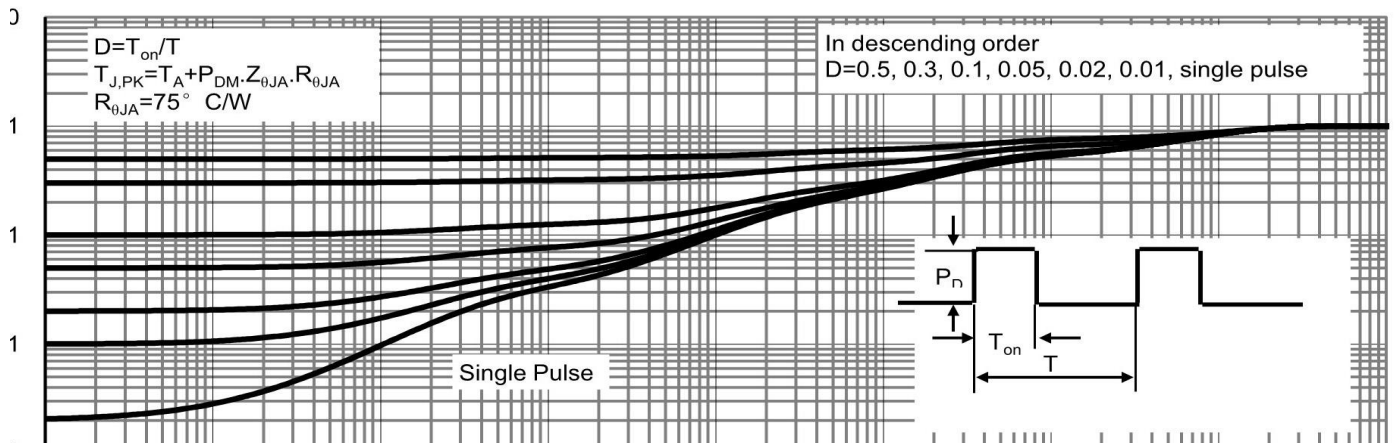
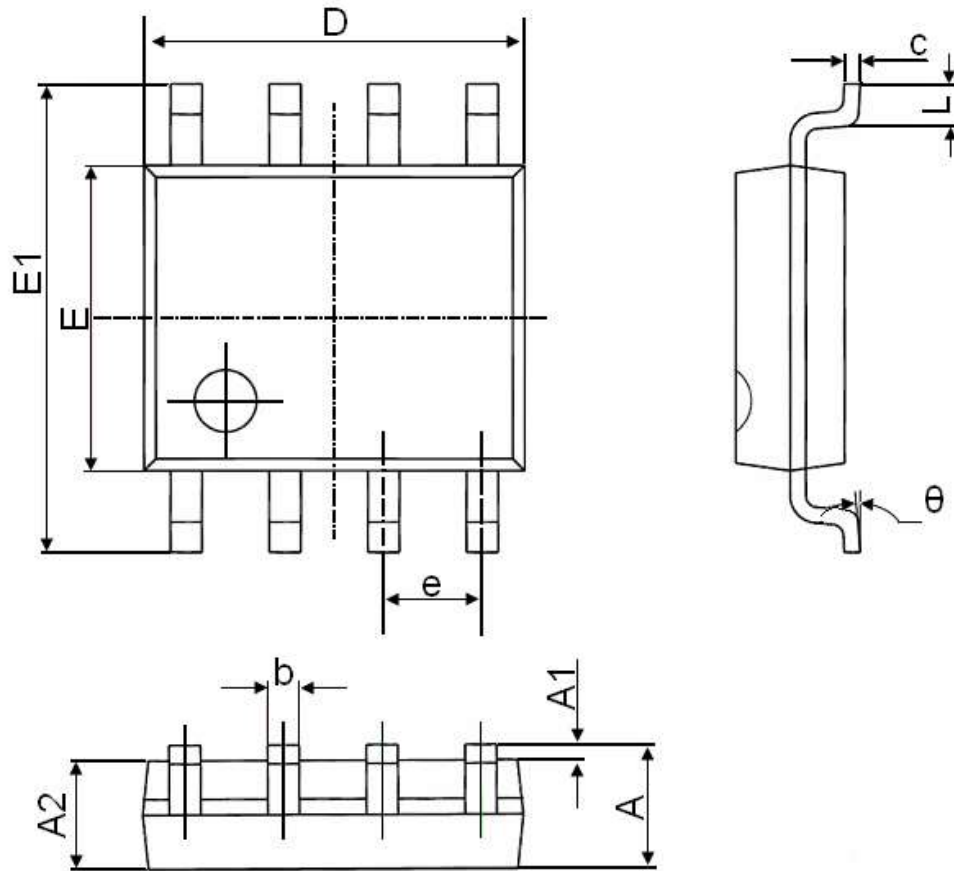


Figure 10: Single Pulse Power Rating Junction-to-Ambient (Note E)



SOP-8 Package Information



Symbol	Dimensions In Millimeters		Dimensions In Inches	
	Min.	Max.	Min.	Max.
A	1.350	1.750	0.053	0.069
A1	0.100	0.250	0.004	0.010
A2	1.350	1.550	0.053	0.061
b	0.330	0.510	0.013	0.020
c	0.170	0.250	0.006	0.010
D	4.700	5.100	0.185	0.200
E	3.800	4.000	0.150	0.157
E1	5.800	6.200	0.228	0.244
e	1.270(BSC)		0.050(BSC)	
L	0.400	1.270	0.016	0.050
θ	0°	8°	0°	8°

X-ON Electronics

Largest Supplier of Electrical and Electronic Components

Click to view similar products for [MOSFET](#) category:

Click to view products by [SPS](#) manufacturer:

Other Similar products are found below :

[614233C](#) [648584F](#) [MCH3443-TL-E](#) [MCH6422-TL-E](#) [FDPF9N50NZ](#) [FW231A-TL-E](#) [APT5010JVR](#) [NTNS3A92PZT5G](#) [IRF100S201](#)
[JANTX2N5237](#) [2SK2464-TL-E](#) [2SK3818-DL-E](#) [FCA20N60_F109](#) [FDZ595PZ](#) [STD6600NT4G](#) [FSS804-TL-E](#) [2SJ277-DL-E](#) [2SK1691-DL-](#)
[E](#) [2SK2545\(Q,T\)](#) [D2294UK](#) [405094E](#) [423220D](#) [MCH6646-TL-E](#) [TPCC8103,L1Q\(CM](#) [367-8430-0972-503](#) [VN1206L](#) [424134F](#) [026935X](#)
[051075F](#) [SBVS138LT1G](#) [614234A](#) [715780A](#) [NTNS3166NZT5G](#) [751625C](#) [873612G](#) [IRF7380TRHR](#) [IPS70R2K0CEAKMA1](#)
[RJK60S3DPP-E0#T2](#) [RJK60S5DPK-M0#T0](#) [APT5010JVFR](#) [APT12031JFLL](#) [APT12040JVR](#) [DMN3404LQ-7](#) [NTE6400](#) [JANTX2N6796U](#)
[JANTX2N6784U](#) [JANTXV2N5416U4](#) [SQM110N05-06L-GE3](#) [SIHF35N60E-GE3](#) [2SK2614\(TE16L1,Q\)](#)