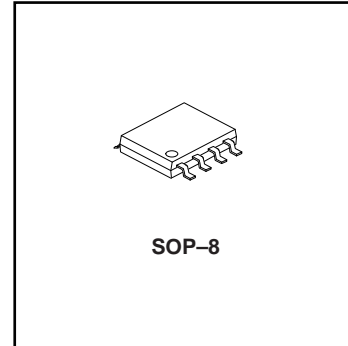


## Charge Pump DC-to-DC Voltage Converter

The ICL7660 charge pump voltage converter. It converts a +1.5V to +10V input to a corresponding -1.5V to -10V output using only two low-cost capacitors, eliminating inductors and their associated cost, size and EMI.

The on-board oscillator operates at a nominal frequency of 10kHz. Operation below 10kHz (for lower supply current applications) is possible by connecting an external capacitor from OSC to ground (with pin 1 open).

The ICL7660 is available in an 8-pin SOP package in extended temperature range.



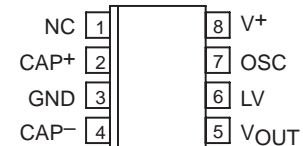
### Features

- Converts +5V Supply to -5V Supply
- Wide Input Voltage Range: 1.5V to 10V
- Efficient Voltage Conversion: 99.9%
- Excellent Power Efficiency: 98%
- Low Power Supply: 80 $\mu$ A @ 5V<sub>IN</sub>
- Low Cost and Easy to Use
  - Only Two External Capacitors Required
- Available in Small Outline (SO) Package
- ESD Protection:  $\geq 2.5$ kV
- No Dx Diode Required for High Voltage Operation

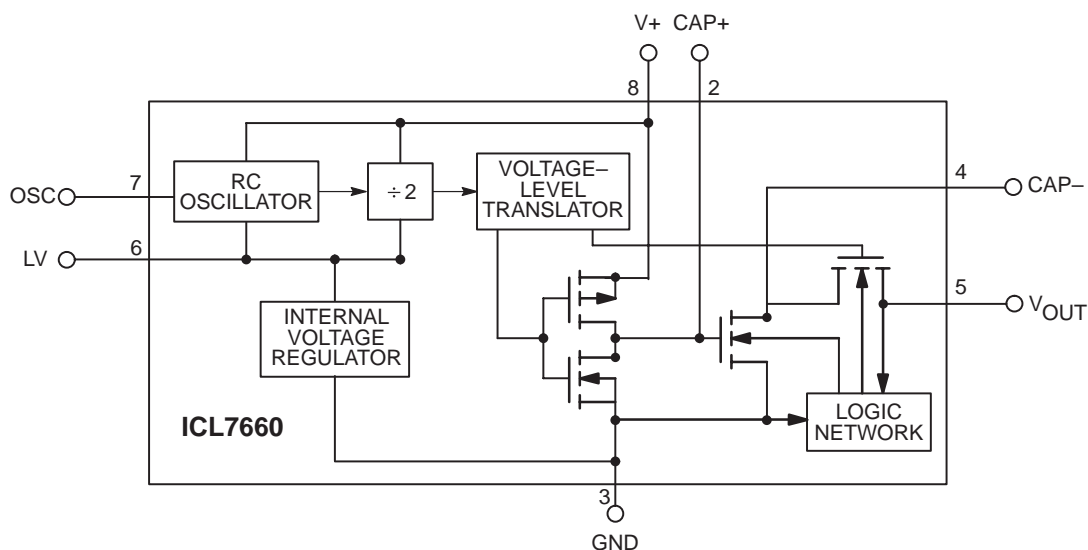
### Typical Applications

- RS-232 Negative Bias
- Display Bias
- Data Acquisition Negative Supply Generation

### PIN CONFIGURATION (Top View)



### FUNCTIONAL BLOCK DIAGRAM



### ABSOLUTE MAXIMUM RATINGS\*

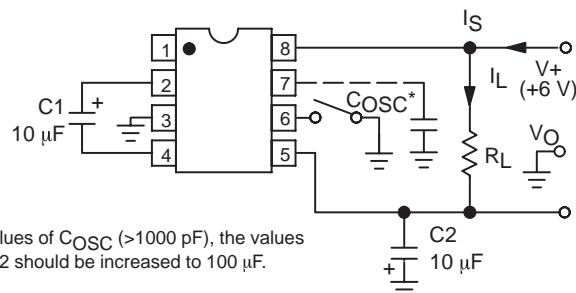
Parameter	Value	Unit
Supply Voltage	+10.5	V
LV and OSC Inputs Voltage (Note 1.) V <sup>+</sup> < 5.5V V <sup>+</sup> > 5.5V	-0.3 to (V <sup>+</sup> + 0.3) (V <sup>+</sup> - 5.5) to (V <sup>+</sup> + 0.3)	V
Current Into LV (Note 1.) V <sup>+</sup> > 3.5V	20	μA
Output Short Duration (V <sub>SUPPLY</sub> ≤ 5.5V)	Continuous	
Power Dissipation (T <sub>A</sub> ≤ 70°C) Derate above 50°C	470 5.5	mW mW/°C
Operating Temperature Range	-40 to +85	°C
Storage Temperature Range	-65 to +150	°C
Lead Temperature (Soldering, 10 Seconds)	+300	°C

\* Maximum Ratings are those values beyond which damage to the device may occur.

1. Connecting any input terminal to voltages greater than V<sup>+</sup> or less than GND may cause destructive latch-up. It is recommended that no inputs from sources operating from external supplies be applied prior to "power up" of the ICL7660.

**ELECTRICAL CHARACTERISTICS** (Specifications Measured Over Operating Temperature Range, V<sup>+</sup> = 5V, C<sub>OSC</sub> = 0, Test Circuit (Figure 1), unless otherwise noted.

Symbol	Characteristic	Min	Typ	Max	Unit
I <sup>+</sup>	Supply Current (R <sub>L</sub> = ∞)	—	80	180	μA
V <sup>+</sup> <sub>H</sub>	Supply Voltage Range, High (-40°C ≤ T <sub>A</sub> ≤ +85°C, R <sub>L</sub> = 10 kΩ, LV Open)	3.0	—	10	V
V <sup>+</sup> <sub>L</sub>	Supply Voltage Range, Low (-40°C ≤ T <sub>A</sub> ≤ +85°C, R <sub>L</sub> = 10 kΩ, LV to GND)	1.5	—	3.5	V
R <sub>OUT</sub>	Output Source Resistance I <sub>OUT</sub> = 20mA, T <sub>A</sub> = 25°C I <sub>OUT</sub> = 20mA, 0°C ≤ T <sub>A</sub> ≤ +70°C I <sub>OUT</sub> = 20mA, -40°C ≤ T <sub>A</sub> ≤ +85°C V <sup>+</sup> = 2V, I <sub>OUT</sub> = 3 mA, LV to GND, 0°C ≤ T <sub>A</sub> ≤ +70°C	—	70	100 120 130 300	Ω
F <sub>OSC</sub>	Oscillator Frequency (Pin 7 Open)	—	10	—	kHz
P <sub>EFF</sub>	Power Efficiency (R <sub>L</sub> = 5kΩ)	95	98	—	%
V <sub>OUT EFF</sub>	Voltage Conversion Efficiency	97	99.9	—	%
Z <sub>OSC</sub>	Oscillator Impedance V <sup>+</sup> = 2V V <sup>+</sup> = 5V	—	1000 100	—	kΩ



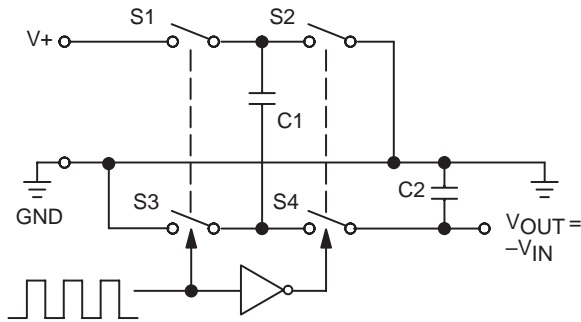
\*NOTE: For large values of C<sub>OSC</sub> (>1000 pF), the values of C1 and C2 should be increased to 100 μF.

Figure 1. ICL7660 Test Circuit

**APPLICATIONS INFORMATION**

**Detailed Description**

The ICL7660 contains all the necessary circuitry to implement a voltage inverter, with the exception of two external capacitors, which may be inexpensive 10  $\mu$ F polarized electrolytic capacitors. Operation is best understood by considering Figure 2, which shows an idealized voltage inverter. Capacitor  $C_1$  is charged to a voltage,  $V^+$ , for the half cycle when switches  $S_1$  and  $S_3$  are closed. (**Note:** Switches  $S_2$  and  $S_4$  are open during this half cycle.) During the second half cycle of operation, switches  $S_2$  and  $S_4$  are closed, with  $S_1$  and  $S_3$  open, thereby shifting capacitor  $C_1$  negatively by  $V^+$  volts. Charge is then transferred from  $C_1$  to  $C_2$ , such that the voltage on  $C_2$  is exactly  $V^+$ , assuming ideal switches and no load on  $C_2$ .



**Figure 2. Idealized Charge Pump Inverter**

The four switches in Figure 2 are MOS power switches;  $S_1$  is a P-channel device, and  $S_2$ ,  $S_3$  and  $S_4$  are N-channel devices. The main difficulty with this approach is that in integrating the switches, the substrates of  $S_3$  and  $S_4$  must always remain reverse-biased with respect to their sources, but not so much as to degrade their ON resistances. In addition, at circuit start-up, and under output short circuit conditions ( $V_{OUT} = V^+$ ), the output voltage must be sensed and the substrate bias adjusted accordingly. Failure to accomplish this will result in high power losses and probable device latch-up.

This problem is eliminated in the ICL7660 by a logic network which senses the output voltage ( $V_{OUT}$ ) together with the level translators, and switches the substrates of  $S_3$  and  $S_4$  to the correct level to maintain necessary reverse bias.

The voltage regulator portion of the ICL7660 is an integral part of the anti-latch-up circuitry. Its inherent voltage drop

can, however, degrade operation at low voltages. To improve low-voltage operation, the LV pin should be connected to GND, disabling the regulator. For supply voltages greater than 3.5V, the LV terminal must be left open to ensure latch-up-proof operation and prevent device damage.

**Theoretical Power Efficiency Considerations**

In theory, a capacitive charge pump can approach 100% efficiency if certain conditions are met:

- (1) The drive circuitry consumes minimal power.
- (2) The output switches have extremely low ON resistance and virtually no offset.
- (3) The impedances of the pump and reservoir capacitors are negligible at the pump frequency.

The ICL7660 approaches these conditions for negative voltage multiplication if large values of  $C_1$  and  $C_2$  are used. **Energy is lost only in the transfer of charge between capacitors if a change in voltage occurs.** The energy lost is defined by:

$$E = 1/2 C_1 (V_1^2 - V_2^2)$$

$V_1$  and  $V_2$  are the voltages on  $C_1$  during the pump and transfer cycles. If the impedances of  $C_1$  and  $C_2$  are relatively high at the pump frequency (refer to Figure 2), compared to the value of  $R_L$ , there will be a substantial difference in voltages  $V_1$  and  $V_2$ . Therefore, it is not only desirable to make  $C_2$  as large as possible to eliminate output voltage ripple, but also to employ a correspondingly large value for  $C_1$  in order to achieve maximum efficiency of operation.

**Dos and Don'ts**

- Do not exceed maximum supply voltages.
- Do not connect LV terminal to GND for supply voltages greater than 3.5V.
- Do not short circuit the output to  $V^+$  supply for voltages above 5.5V for extended periods; however, transient conditions including start-up are okay.
- When using polarized capacitors in the inverting mode, the + terminal of  $C_1$  must be connected to pin 2 of the ICL7660 and the + terminal of  $C_2$  must be connected to GND Pin 3.

### Simple Negative Voltage Converter

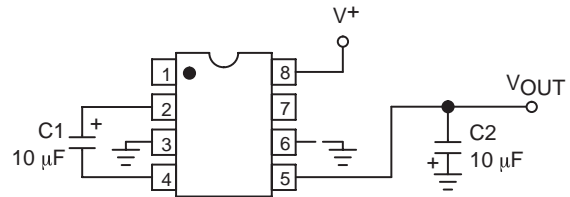
Figure 3 shows typical connections to provide a negative supply where a positive supply is available. A similar scheme may be employed for supply voltages anywhere in the operating range of +1.5V to +10V, keeping in mind that pin 6 (LV) is tied to the supply negative (GND) only for supply voltages below 3.5V.

The output characteristics of the circuit in Figure 3 are those of a nearly ideal voltage source in series with 70Ω. Thus, for a load current of -10mA and a supply voltage of +5V, the output voltage would be -4.3V.

The dynamic output impedance of the ICL7660 is due, primarily, to capacitive reactance of the charge transfer capacitor ( $C_1$ ). Since this capacitor is connected to the output for only 1/2 of the cycle, the equation is:

$$X_C = \frac{2}{2\pi f C_1} = 3.18\Omega,$$

where  $f = 10\text{kHz}$  and  $C_1 = 10\mu\text{F}$ .

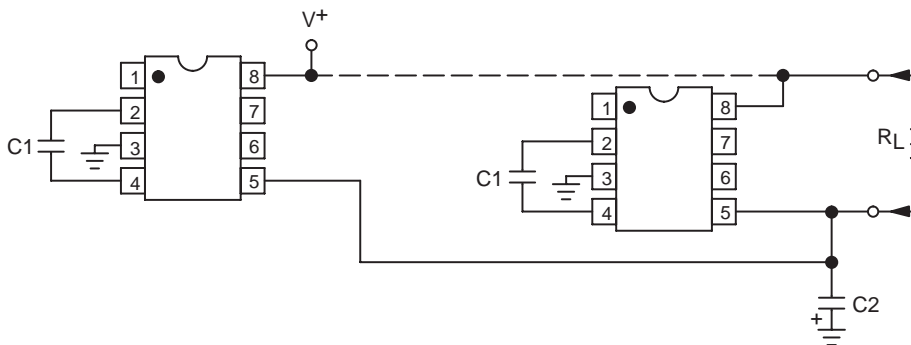


**Figure 3. Simple Negative Converter**

### Parallel Devices

Any number of ICL7660 voltage converters may be paralleled to reduce output resistance (Figure 4). The reservoir capacitor,  $C_2$ , serves all devices, while each device requires its own pump capacitor,  $C_1$ . The resultant output resistance would be approximately:

$$R_{OUT} = \frac{R_{OUT} \text{ (of ICL7660)}}{n \text{ (number of devices)}}$$



**Figure 4. Paralleling Devices Lowers Output Impedance**

### Cascading Devices

The ICL7660 may be cascaded as shown (Figure 5) to produce larger negative multiplication of the initial supply voltage. However, due to the finite efficiency of each device, the practical limit is 10 devices for light loads. The output voltage is defined by:

$$V_{OUT} = -n (V_{IN})$$

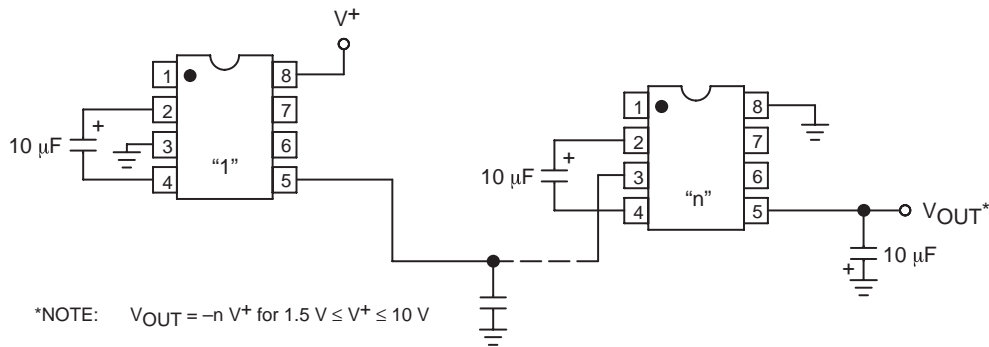
where  $n$  is an integer representing the number of devices cascaded. The resulting output resistance would be approximately the weighted sum of the individual ICL7660  $R_{OUT}$  values.

### Changing the ICL7660 Oscillator Frequency

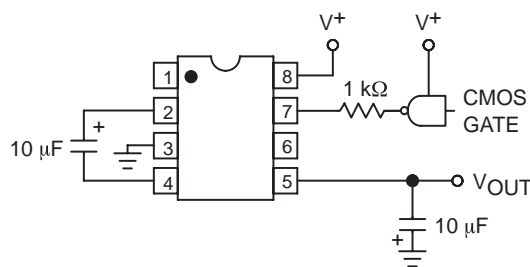
It may be desirable in some applications (due to noise or other considerations) to increase the oscillator frequency. This is achieved by overdriving the oscillator from an external clock, as shown in Figure 6. In order to prevent possible device latch-up, a 1kΩ resistor must be used in series with the clock output. In a situation where the designer

has generated the external clock frequency using TTL logic, the addition of a 10kΩ pull-up resistor to  $V^+$  supply is required. Note that the pump frequency with external clocking, as with internal clocking, will be 1/2 of the clock frequency. Output transitions occur on the positive-going edge of the clock.

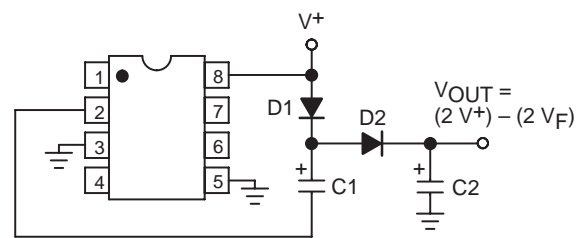
It is also possible to increase the conversion efficiency of the ICL7660 at low load levels by lowering the oscillator frequency. This reduces the switching losses, and is achieved by connecting an additional capacitor,  $C_{OSC}$ , as shown in Figure 7. Lowering the oscillator frequency will cause an undesirable increase in the impedance of the pump ( $C_1$ ) and the reservoir ( $C_2$ ) capacitors. To overcome this, increase the values of  $C_1$  and  $C_2$  by the same factor that the frequency has been reduced. For example, the addition of a 100pF capacitor between pin 7 (OSC) and pin 8 ( $V^+$ ) will lower the oscillator frequency to 1kHz from its nominal frequency of 10kHz (a multiple of 10), and necessitate a corresponding increase in the values of  $C_1$  and  $C_2$  (from 10μF to 100μF).



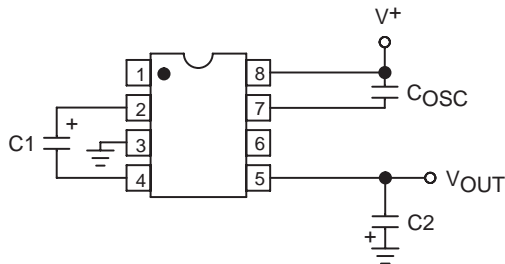
**Figure 5. Increased Output Voltage by Cascading Devices**



**Figure 6. External Clocking**



**Figure 8. Positive Voltage Multiplier**



**Figure 7. Lowering Oscillator Frequency**

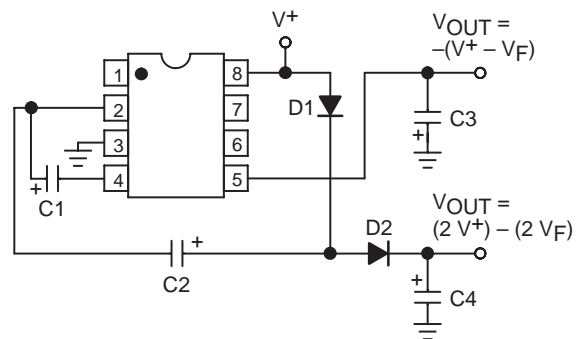
**Positive Voltage Multiplication**

The ICL7660 may be employed to achieve positive voltage multiplication using the circuit shown in Figure 8. In this application, the pump inverter switches of the ICL7660 are used to charge  $C_1$  to a voltage level of  $V^+ - V_F$  (where  $V^+$  is the supply voltage and  $V_F$  is the forward voltage drop of diode  $D_1$ ). On the transfer cycle, the voltage on  $C_1$  plus the supply voltage ( $V^+$ ) is applied through diode  $D_2$  to capacitor  $C_2$ . The voltage thus created on  $C_2$  becomes  $(2 V^+) - (2 V_F)$ , or twice the supply voltage minus the combined forward voltage drops of diodes  $D_1$  and  $D_2$ .

The source impedance of the output ( $V_{OUT}$ ) will depend on the output current, but for  $V^+ = 5V$  and an output current of 10 mA, it will be approximately  $60\Omega$ .

**Combined Negative Voltage Conversion and Positive Supply Multiplication**

Figure 9 combines the functions shown in Figures 3 and 8 to provide negative voltage conversion and positive voltage multiplication simultaneously. This approach would be, for example, suitable for generating  $+9V$  and  $-5V$  from an existing  $+5V$  supply. In this instance, capacitors  $C_1$  and  $C_3$  perform the pump and reservoir functions, respectively, for the generation of the negative voltage, while capacitors  $C_2$  and  $C_4$  are pump and reservoir, respectively, for the multiplied positive voltage. There is a penalty in this configuration which combines both functions, however, in that the source impedances of the generated supplies will be somewhat higher due to the finite impedance of the common charge pump driver at pin 2 of the device.

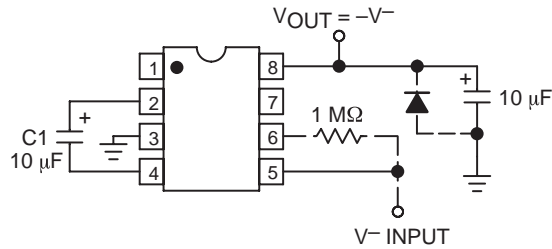


**Figure 9. Combined Negative Converter and Positive Multiplier**

**Efficient Positive Voltage Multiplication/Conversion**

Since the switches that allow the charge pumping operation are bidirectional, the charge transfer can be performed backwards as easily as forwards. Figure 10 shows a ICL7660 transforming  $-5V$  to  $+5V$  (or  $+5V$  to  $+10V$ , etc.). The only problem here is that the internal clock and

switch-drive section will not operate until some positive voltage has been generated. An initial inefficient pump, as shown in Figure 9, could be used to start this circuit up, after which it will bypass the other ( $D_1$  and  $D_2$  in Figure 9 would never turn on), or else the diode and resistor shown dotted in Figure 10 can be used to "force" the internal regulator on.

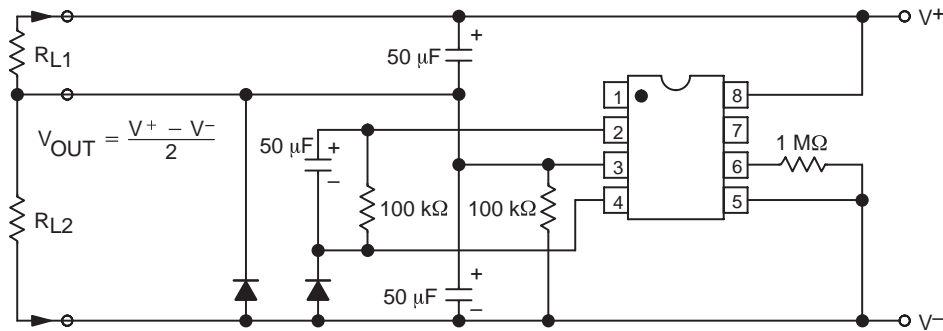


**Figure 10. Positive Voltage Conversion**

**Voltage Splitting**

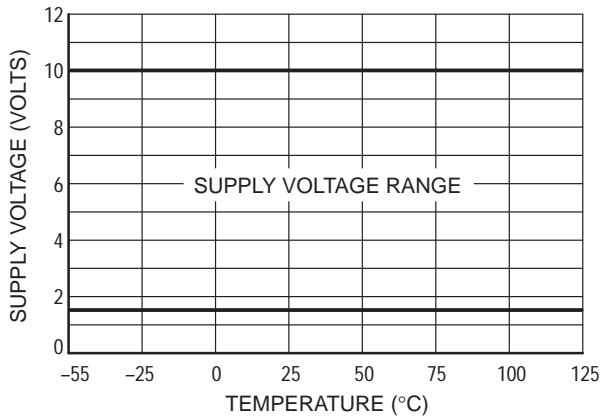
The same bidirectional characteristics used in Figure 10 can also be used to split a higher supply in half, as shown in Figure 11. The combined load will be evenly shared between the two sides. Once again, a high value resistor to the LV pin ensures start-up. Because the switches share the load in

parallel, the output impedance is much lower than in the standard circuits, and higher currents can be drawn from the device. By using this circuit, and then the circuit of Figure 5,  $+15V$  can be converted (via  $+7.5V$  and  $-7.5V$ ) to a nominal  $-15V$ , though with rather high series resistance ( $\sim 250\Omega$ ).

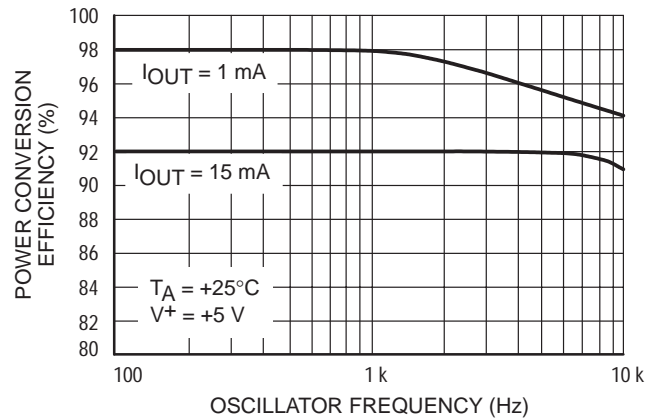


**Figure 11. Splitting a Supply in Half**

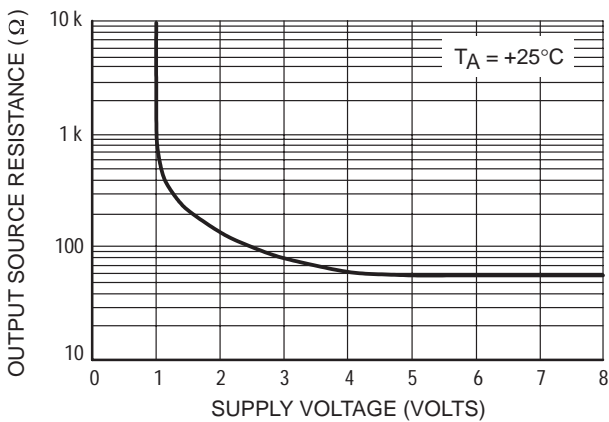
**TYPICAL PERFORMANCE CHARACTERISTICS**



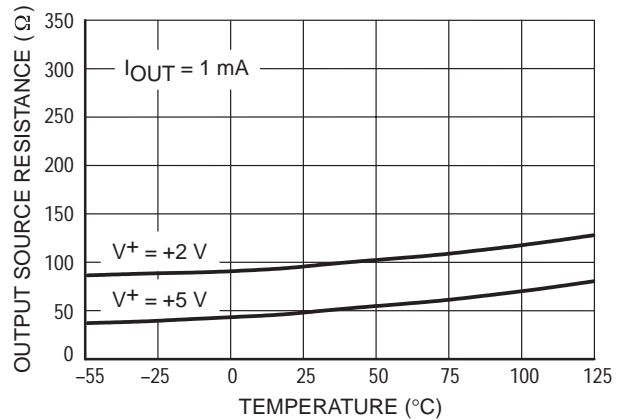
**Figure 12. Operating Voltage versus Temperature**



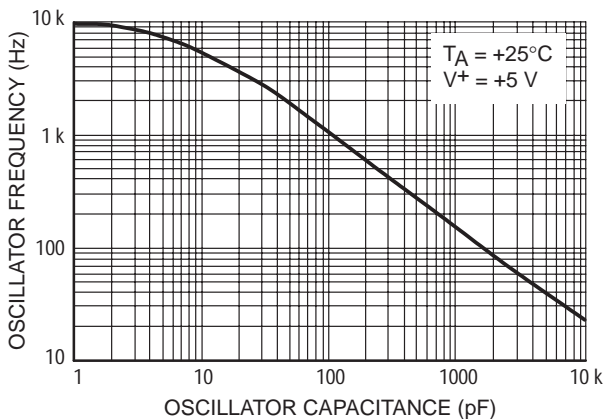
**Figure 13. Power Conversion Efficiency versus Oscillator Frequency**



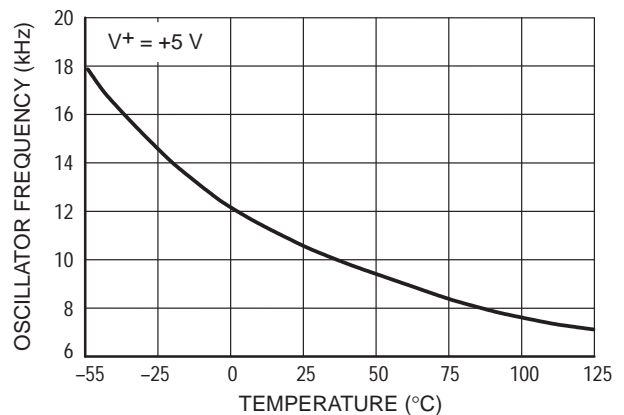
**Figure 14. Output Source Resistance versus Supply Voltage**



**Figure 15. Output Source Resistance versus Temperature**

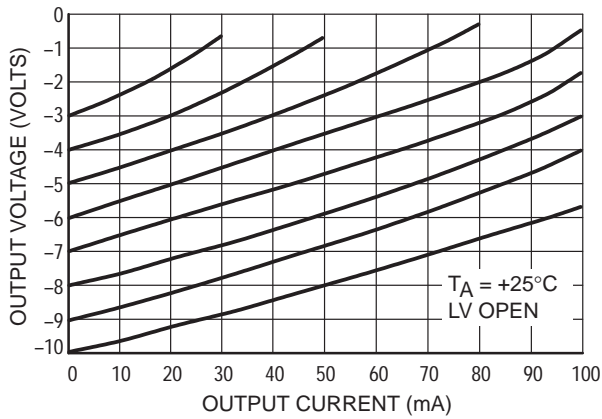


**Figure 16. Frequency of Oscillation versus Oscillator Capacitance**

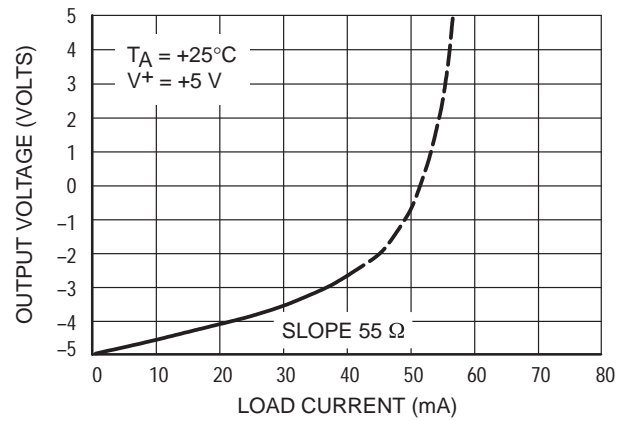


**Figure 17. Unloaded Oscillator Frequency versus Temperature**

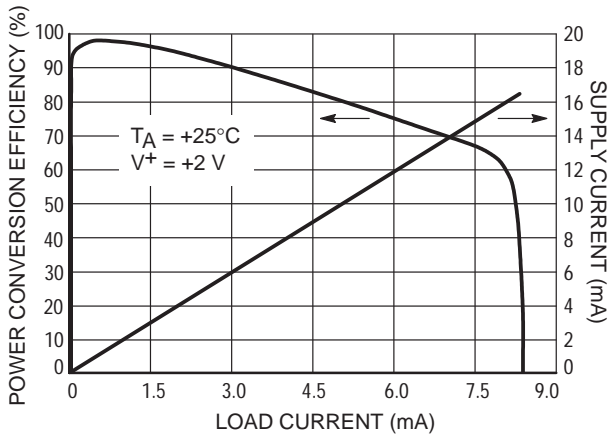
**TYPICAL CHARACTERISTICS (Cont.)**



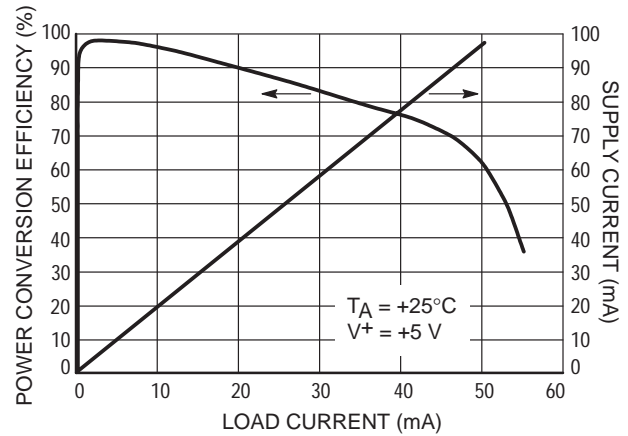
**Figure 18. Output Voltage versus Output Current**



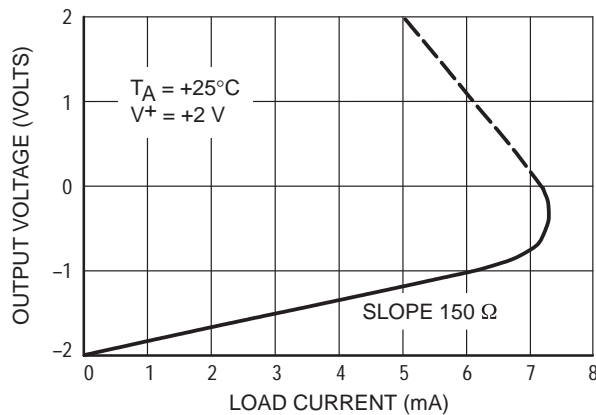
**Figure 19. Output Voltage versus Load Current**



**Figure 20. Supply Current and Power Conversion Efficiency versus Load Current**



**Figure 21. Supply Current and Power Conversion Efficiency versus Load Current**



**Figure 22. Output Voltage versus Load Current**



## X-ON Electronics

Largest Supplier of Electrical and Electronic Components

*Click to view similar products for [Isolated DC/DC Converters](#) category:*

*Click to view products by [HGSEMI](#) manufacturer:*

Other Similar products are found below :

[ESM6D044440C05AAQ](#) [FMD15.24G](#) [PSL486-7LR](#) [PSR152.5-7IR](#) [Q48T30020-NBB0](#) [AVO240-48S12B-6L](#) [AVO250-48S28B-6L](#) [NAN-0505](#) [HW-L16D](#) [JAHW100Y1](#) [217-1617-001](#) [22827](#) [SPB05C-12](#) [SQ24S15033-PS0S](#) [18952](#) [19-130041](#) [CE-1003](#) [CE-1004](#) [GQ2541-7R](#) [PSE1000DCDC-12V](#) [RDS180245](#) [MAU228](#) [419-2065-201](#) [449-2075-101](#) [TME 0303S](#) [TME 0505S](#) [TME 1205S](#) [TME 1212S](#) [TME 2405S](#) [TME 2412S](#) [V300C24C150BG](#) [419-2062-200](#) [419-2063-401](#) [419-2067-101](#) [419-2067-501](#) [419-2068-001](#) [DCG40-5G](#) [DFC15U48D15](#) [449-2067-000](#) [XGS-0512](#) [XGS-1205](#) [XGS-1212](#) [XGS-2412](#) [XGS-2415](#) [XKS-1215](#) [033456](#) [NCT1000N040R050B](#) [SPB05B-15](#) [SPB05C-15](#) [TME 0509S](#)