

# 承 認 書

## SPECIFICATION FOR APPROVAL

*客戶名稱 <b>Customer name</b>	: 立創
*產品名稱 <b>Product Description</b>	: 跷板开关
*產品型號 <b>Product part number</b>	: RT-C06-A1B-AC
*客戶料號 <b>Customer's material number</b>	:
*數量 <b>Quantity</b>	: 0 PCS
*日期 <b>Date</b>	: 2019-6-27

供應商負責人簽名		客戶負責人確認簽回	
製作人	莫丽琴	承認人	
審核	李跃鑫	審核	
批准	王瑞宝	批准	

皓宇(香港)有限公司  
HAOYU (HONG KONG) LIMITED  
东莞市六均电子五金有限公司  
LEGION ELECTRONIC&HARDWARE CO., LTD  
富力隆电子(深圳)有限公司  
ROCKTEK ELECTRONICS (SHENZHEN) CO. LTD  
東莞市石碣鎮四村第一工業區  
Sicun 1st Industrial park, Sicun,  
Shijie Town, Dongguan

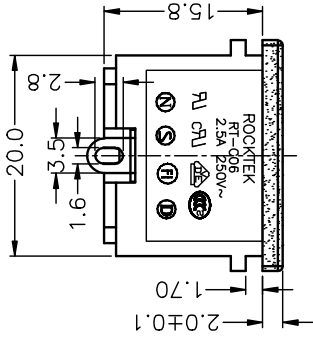
電話 : (86) 769-82310511-2  
Tel No

傳真 : (86) 769-82310510  
Fax No

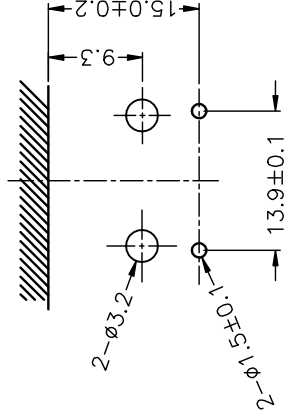
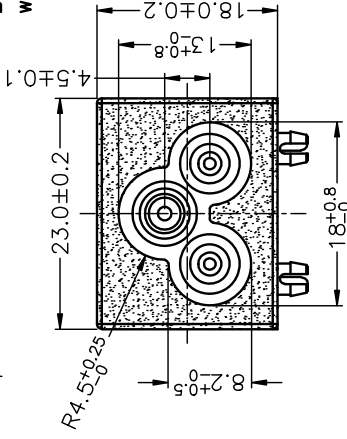
郵箱 : [haoyu888@21cn.com](mailto:haoyu888@21cn.com)  
E - mail

核 准 :  
Approved

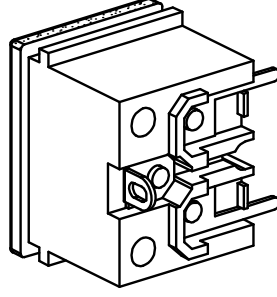
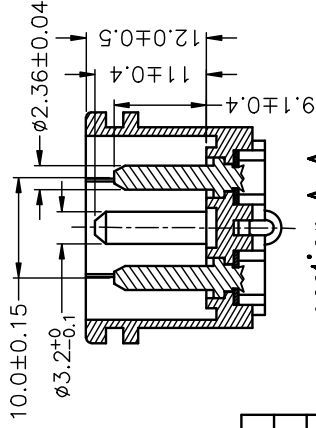
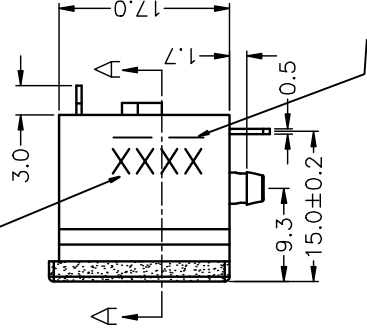
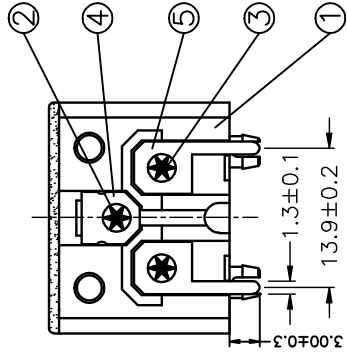
**NOTES:**  
**1. Rating: 2.5A 250VAC**



Date code  
week year



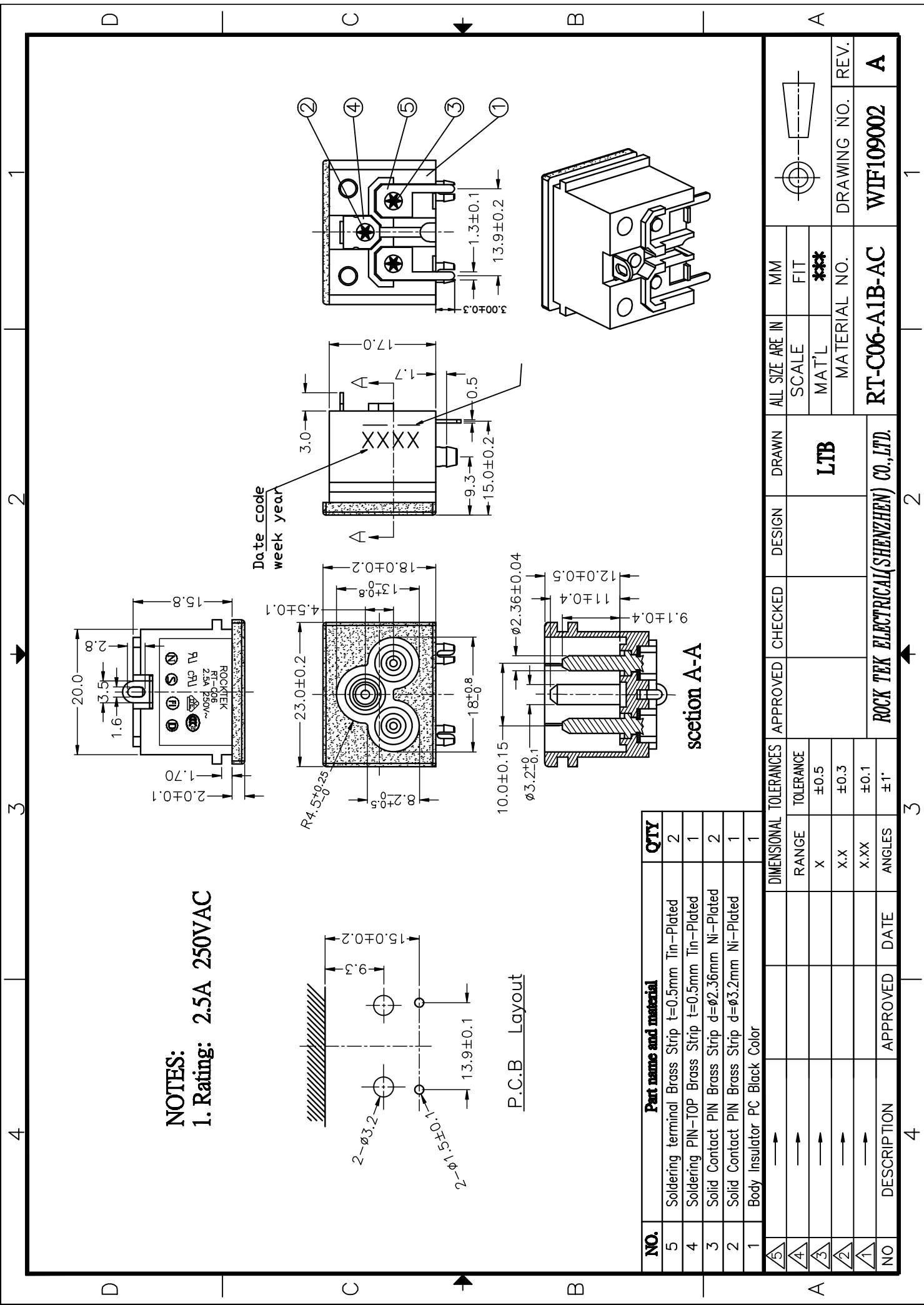
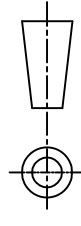
P.C.B Layout



NO.	Part name and material	QTY
5	Soldering terminal Brass Strip t=0.5mm Tin-Plated	2
4	Soldering PIN-TOP Brass Strip t=0.5mm Tin-Plated	1
3	Solid Contact PIN Brass Strip d=φ2.36mm Ni-Plated	2
2	Solid Contact PIN Brass Strip d=φ3.2mm Ni-Plated	1
1	Body Insulator PC Black Color	1

NO	DESCRIPTION	APPROVED	DATE	DIMENSIONAL TOLERANCES		
				RANGE	TOLERANCE	ANGLES
5	→			X	±0.5	
4	→			X.X	±0.3	
3	→			X.XX	±0.1	
2	→					
1	→					

APPROVED	CHECKED	DESIGN	DRAWN	ALL SIZE ARE IN	MATERIAL	MATERIAL NO.	DRAWING NO.	REV.
			LTB	MM	***	RT-C06-A1B-AC	WF109002	A
ROCK TEK ELECTRICAL(SHENZHEN) CO.,LTD.								



**1.Scope**

This specification cover the RT-C06 AC socket.

**2.Operation temperature**

-10°C~85°C

**3.STANDHRD**

IEC320-1

CSA22.2

EN60 320

UL498

**4.Rating**

2.5A 250VAC

**5.Electrical**

**5.1. Contact resistance**

Contact resistance should be 30mΩ(Max).

**5.2. Insulation resistance**

It is measured with 500V DC should be 1000MΩ(Min).

**5.3. Dielectric strength**

(Between terminals of open contacts and terminals of opposite polarity)

Dielectric strength should withstand without breakdown a potential of AC 2000V/minute.

(Between terminals and metal frame)

Dielectric strength should withstand without breakdown a potential of AC 2000V/minute.

6.Construction

6.1. Heat test

The socket should be putted in a hot chamber at temperature of  $100^{\circ}\text{C}\pm 5^{\circ}\text{C}/\text{hour}$ . The

Socket should have the capability to satisfy the performance the paragraphs 5.1. , 5.2. ,

5.3. , And the socket should show no evidence of cracking. Crazing and deformation.

6.2.Body strength

The socket should be press body with 8kg/minute.

The socket should have the capability to satisfy. the performance the paragraphs 5.1,5.2,5.3 and the socket should should no evidence of carching.

7.Paking:

200PCS/bag ,2000PCS/CTN.

APPROVED	CHECK	WRITER	DESCRIPTION
		ALEX	YALE



## AXUT2.E300176 Attachment Plugs, Fuseless - Component

[Page Bottom](#)

---

### Attachment Plugs, Fuseless - Component

[See General Information for Attachment Plugs, Fuseless - Component](#)

**ROCK TEK ELECTRONICS INDUSTRY CORP**

E300176

98 GUANGUANG RD

BAO'AN DISTRICT, GUANLAN TOWN

SHENZHEN, GUANGDONG 518110 CHINA

**Appliance inlets**, Models RT-C06, RT-C08, RT-C14, RT-C14A.

Model RT-C05A.

Marking: Company name and catalog designation on device or carton.

[Last Updated](#) on 2011-05-19

---

[Questions?](#)

[Print this page](#)

[Terms of Use](#)

[Page Top](#)

◆ 2015 UL LLC

The appearance of a company's name or product in this database does not in itself assure that products so identified have been manufactured under UL's Follow-Up Service. Only those products bearing the UL Mark should be considered to be Certified and covered under UL's Follow-Up Service. Always look for the Mark on the product.

UL permits the reproduction of the material contained in the Online Certification Directory subject to the following conditions: 1. The Guide Information, Assemblies, Constructions, Designs, Systems, and/or Certifications (files) must be presented in their entirety and in a non-misleading manner, without any manipulation of the data (or drawings). 2. The statement "Reprinted from the Online Certifications Directory with permission from UL" must appear adjacent to the extracted material. In addition, the reprinted material must include a copyright notice in the following format: "© 2015 UL LLC".



**AXUT8.E300176**  
**Attachment Plugs, Fuseless Certified for Canada - Component**

[Page Bottom](#)

---

**Attachment Plugs, Fuseless Certified for Canada - Component**

[See General Information for Attachment Plugs, Fuseless Certified for Canada - Component](#)

**ROCK TEK ELECTRONICS INDUSTRY CORP**


E300176

98 GUANGUANG RD  
BAO'AN DISTRICT, GUANLAN TOWN  
SHENZHEN, GUANGDONG 518110 CHINA

**Appliance inlets**, Models RT-C06, RT-C08, RT-C14, RT-C14A.

Model RT-C05A.



Marking: Company name and catalog designation and Recognized Component Mark for Canada,  on device or carton.

[Last Updated](#) on 2011-05-19

---

[Questions?](#)

[Print this page](#)

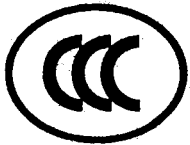
[Terms of Use](#)

[Page Top](#)

◆ 2015 UL LLC

The appearance of a company's name or product in this database does not in itself assure that products so identified have been manufactured under UL's Follow-Up Service. Only those products bearing the UL Mark should be considered to be Certified and covered under UL's Follow-Up Service. Always look for the Mark on the product.

UL permits the reproduction of the material contained in the Online Certification Directory subject to the following conditions: 1. The Guide Information, Assemblies, Constructions, Designs, Systems, and/or Certifications (files) must be presented in their entirety and in a non-misleading manner, without any manipulation of the data (or drawings). 2. The statement "Reprinted from the Online Certifications Directory with permission from UL" must appear adjacent to the extracted material. In addition, the reprinted material must include a copyright notice in the following format: "© 2015 UL LLC".



# 中国国家强制性产品认证证书

证书编号: 2006010204177703

## 申请人名称及地址

富力隆电子(深圳)有限公司  
深圳市宝安区观澜大水坑观光公路观澜镇大水坑桔新经济合作社

## 商标:

## 制造商名称及地址

富力隆电子(深圳)有限公司  
深圳市宝安区观澜大水坑观光公路观澜镇大水坑桔新经济合作社

## 生产企业名称及地址

富力隆电子(深圳)有限公司  
深圳市宝安区观澜大水坑观光公路观澜镇大水坑桔新经济合作社

## 产品名称和系列、规格、型号

用于冷条件下 I 类设备的 2.5A 250V 器具输入插座  
RT-C06 2.5A 250V~

## 产品标准和技术要求

GB17465.1-1998

上述产品符合强制性产品认证实施规则的要求, 特发此证。

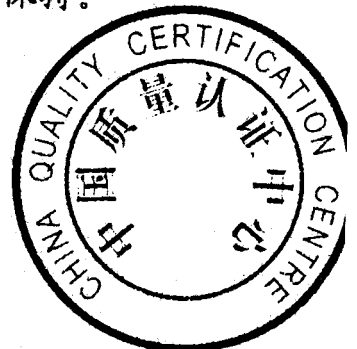
发证日期: 2006年3月31日

本证书的有效性依据发证机构的定期监督获得保持。



主任:

李怀林



## X-ON Electronics

Largest Supplier of Electrical and Electronic Components

*Click to view similar products for [DC Power Connectors](#) category:*

*Click to view products by [ROCKTEK](#) manufacturer:*

Other Similar products are found below :

[1600206-1](#) [163-0301-EX](#) [163-0302](#) [163-0308-EX](#) [163-0310-EX](#) [163-1061-EX](#) [163-1100-EX](#) [163-4024](#) [163-4117-EX](#) [163-4118-EX](#) [163-5005-E](#) [163-7421](#) [163-MJ22-EX](#) [171-0721-EX](#) [171-0725-EX](#) [171-3118-EX](#) [171-3210-E](#) [171-3221-EX](#) [171-3222-EX](#) [171-A1326-EX](#) [173-23507-ST-EX](#) [173-5521TIP-EX](#) [173-6330TIP-EX](#) [KLDVX-SMT-02-ATR](#) [KLDX-0201-AHT-1](#) [KLDX-0202-AHT](#) [KLDX-SMT-0202-BP](#) [KLDX-SMT-0202-BPTR](#) [163-0179-EX](#) [163-0307-E](#) [163-0309-EX](#) [163-4007-EX](#) [163-4015-EX](#) [163-4025](#) [163-4119-E](#) [163-4303-E](#) [16PJ101-EX](#) [171-0702-EX](#) [171-0722-E](#) [171-0726-EX](#) [171-2122-EX](#) [171-3216-EX](#) [171-3218-EX](#) [171-3219-EX](#) [171-3220-EX](#) [171-7391](#) [173-3413-ST-EX](#) [173-4017-ST-EX](#) [RAPCBRK](#) [K596](#)