

承 認 書

SPECIFICATION FOR APPROVAL

*客戶名稱 Customer name	: 立创
*產品名稱 Product Description	: 跷板开关
*產品型號 Product part number	: RT-S01-113-L4NBBC
*客戶料號 Customer's material number	:
*數量 Quantity	:0PCS
*日期 Date	: 2019-6-27

供應商負責人簽名		客戶負責人確認簽回	
製作人	莫丽琴	承認人	
審核	李跃鑫	審核	
批准	王瑞宝	批准	

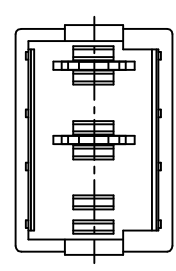
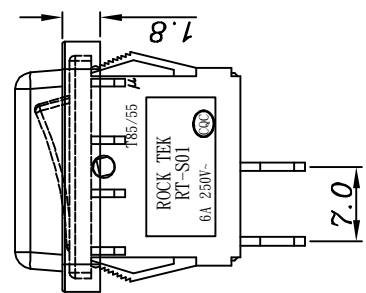
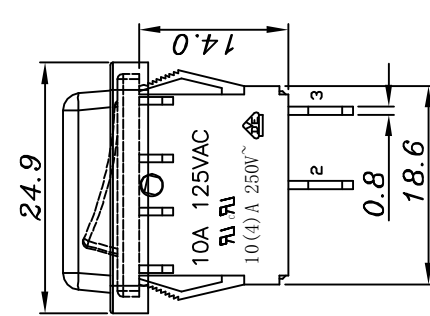
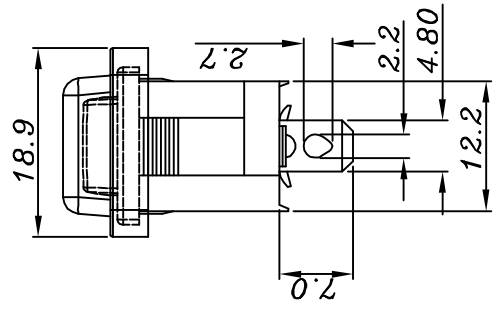
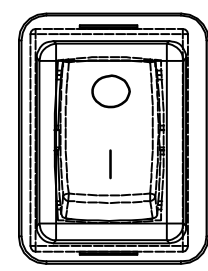
皓宇(香港)有限公司
HAOYU (HONG KONG) LIMITED
六均电子五金有限公司
LEGION ELECTRONIC&HARDWARE CO., LTD
富力隆电子(深圳)有限公司
ROCKTEK ELECTRONICS (SHENZHEN) CO. LTD
東莞市石碣鎮四村第一工業區
Sicun 1st Industrial park, Sicun,
Shijie Town, Dongguan

電話 : (86) 769-82310511-2
Tel No

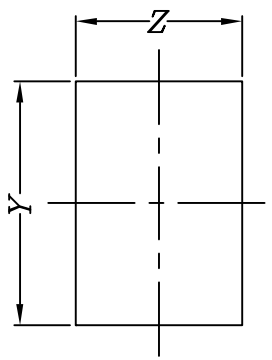
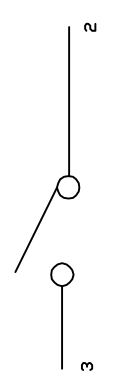
傳真 : (86) 769-82310510
Fax No

郵箱 : haoyu888@21cn.com
E - mail

核 准 :
Approved



Circuit of Switch



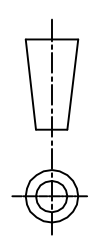
NOTES:

- 1.Circuit:ON/OFF
- 2.Operation force: 500±200gf
- 3.Electrical rating:10A 125VAC
6A 250VAC
10(4)A 250VAC
- 4.Contact resistance:<50mΩ (initial)
- 5.Insulation resistance:>100MΩ(500VDC)
between open contacts)
- 6.Dielectric strength:>1500VAC 1 minute
- 7.Color: cover is black, body is black.

Panel cut - out:

X	Dim.Y	Dim.Z
0.75~1.25mm	19.20+0.1/-0	12.80+0.1/-0
1.25~2.0mm	19.30+0.1/-0	12.80+0.1/-0

NO	DESCRIPTION	DIMENSIONAL TOLERANCES			APPROVED	CHECKED	DESIGN	DRAWN	ALL SIZE ARE IN		
		RANGE	TOLERANCE	MM					SCALE	FIT	
5	→	△10	→					MATERIAL	***		
4	→	△9	→					MAT'L			
3	→	△8	→					MATERIAL NO.			
2	→	△7	→					RT-S01-113-L4NBBC	*****		
1	→	△6	→					DRAWING NO.	REV		
NO	DESCRIPTION	NO	DESCRIPTION	ANGLES	±0.5°						



DRAWING NO. REV

A

RT-S01-113-L4NBBC

LMC
2017.08.12

ROCK TEK ELECTRICAL(SHENZHEN) CO.,LTD.

ROCK TEK ELECTRONICS(SHENZHEN)CO.,LTD.

富 力 隆 電 子 (深 圳) 有 限 公 司

Specification Of RT-S01 Series Rocker Switch

page:1/2

1.Scope

This specification covers the RT-S01 series rocker switch.

2.Rating

10A 125VAC UL,CUL

10(4)A 250VAC VDE

6A 250VAC CQC

3.Standard

UL1054, EN60158-1 2002, GB15092

4.Dimensions

Dimensions of this switch are shown on the following drawing.

5.Electrical

5.1. Contact Resistance

The contact resistance should be $30\text{m}\Omega$ (Max).

5.2. Insulation resistance

It is measured with 500V DC 1 minute should be $1000\text{M}\Omega$ (Min).

5.3.Dielectric strength

(Between terminals of open contacts and terminals of opposite polarity)

Dielectric strength should withstand without breakdown a potential of AC
1500V/minute.

(Between terminals and metal frame)

Dielectric strength should withstand without breakdown a potential of AC
1500V/minute

6.Terminal Strength

Using a static force of 5kg in one direction on the tip terminal for 1 minute.

ROCK TEK ELECTRONICS(SHENZHEN)CO., LTD.

富 力 隆 電 子 (深 圳) 有 限 公 司

Specification Of RT-S01 Series Rocker Switch page:2/2

The terminal may be deformed, but should not sustain any trouble as deviation
And breaking of terminal and breaking of insulation.

7.Life test

All of the electrical life all over 100,000 cycles.

8.Soldering test

The terminals shall be well soldered of dipped place of immersed place in the solder.
Dipped in molten solder of $260^{\circ}\pm 5^{\circ}\text{C}$ and the dwell time in solder is 3~5 seconds and
More than 75% of the dipped shall be covered by solder.

9. Humidity test

The switch shall be stored at a temperature of $40\pm 2^{\circ}\text{C}$ and a humidity of 90% to 95%
for 96 hours. Then the switch shall be maintained at standard atmospheric condition
for 1 hour after which measurement shall be made. The shall be no deformation or cracks
in molded part.



WOYR2.E153399
Switches, Appliance and Special Use - Component

For enhanced search functionality, please visit UL's [iQ™ Family of Databases](#).
 Click on a product designation for complete information.

[Page Bottom](#)

Switches, Appliance and Special Use - Component

[See General Information for Switches, Appliance and Special Use - Component](#)

LEGION ELECTRONIC CO LTD

E153399

Room M
 4Th Fl, Continental Mansion
 300 King's Rd
 Hong Kong, HONG KONG

Investigated to ANSI/UL 1054

Cat. No.	Amps	Volts	Hz	Load	Endur- ance	Temp C	POL/ THR	Per Pole/ Circuit Code	SPCOA
EPS11	10	125	60	GP	6K	55	1/1	-/-	-
	10	250	60	GP	6K				
	-	-	-	GP	-				
	-	-	-	GP	-				
EPS21	10	125	60	GP	6K	55	2/1	PP/D1	-
	10	250	60	GP	6K				
	-	-	-	GP	-				
	-	-	-	GP	-				
FR01 f/b A1, A2 or A3, f/b F0 or F1, f/b L1									
	6	125	60	GP	6K	65	1/M	-/-	Note 6(16 thru 20 AWG)
	6	250	60	GP	6K				
M1	7.5	125	60	GP	6K	75	1/2	-/A	-
	5	250	60	GP	6K				
MFR01 f/b A1, f/b F or M, f/b 04, 05, 06, 07, 08, 09 or 10, f/b L1									
	8	125	60	GP	6K	65	1/M	-/-	-
	8	250	60	GP	6K				
MPS11	16	125	60	GP	6K	85	1/1	PP/-	-
	10	250	60	GP	6K				
	5	125	60	TV	25K				
MPS21 f/b letter; f/b letter; f/b A or B; f/b Q; f/b M or Blank; f/b S or D; f/b -L or Blank; f/b 2 or Blank; f/b 2 or Blank; f/b -R or Blank)									
	16	125	50/60	GP	6K	65	2/1	PP/D1	Note 2


	16	250	50/60	GP	6K				
	-	125	50/60	3/4hp	6K				
	-	250	50/60	3/4hp	6K				
OVS-1 f/b A, B, C or D	12	125	60	GP	6K	150	M/M	PP/-	-
	12	250	60	GP	6K				
PS01-X-X-X	3	250	60	GP	6K	85	1/1	-/A	-
	6	125	60	GP	6K				
	6	125	60	L	6K				
RT-M2,f/b 0, 1, 2, 3, 4, 5 or 6									
	5	125	60	GP	6K	85	1/2	-/A	-
	5	250	60	GP	6K				
	6	30	DC	R	6K				
RT-P02	7	14	DC	-	6K	65	1/2	-/A	-
RT-P03	16	125	60	GP	6K	85	1/1	-/A	Note 2
	16	250	60	GP	6K				
	-	125	60	3/4hp	6K				
RT-P04	16	125	60	GP	6K	95	1/1	-/A	-
	-	125	60	1/2hp	6K				
RT-P05	14	125	50/60	GP	6K	65	2/1	-/B	Note 11A
	14	250	50/60	GP	6K				
	-	125	50/60	1/2hp	6K				
	-	250	50/60	1hp	6K				
RT-S01	10	125	60	GP	6K	85	1/1	-/A	-
	6	250	60	GP	6K				
RT-S01A	10	125	60	GP	6K	85	1/1	-/A	Note 2
	6	250	60	GP	6K				
RT-S02	15	125	60	GP	6K	85	1/1	-/A	-
	8	250	60	GP	6K				
RT-S02A	15	125	60	GP	6K	85	1/1	-/A	Note 2
	8	250	60	GP	6K				
RT-S03	16	125	60	GP	6K	105	2/1	-/B	-
	16	250	60	GP	6K				
	-	125	60	1/3hp	6K				
RT-S03A	16	125	60	GP	6K	105	2/1	-/B	Note 2
	16	250	60	GP	6K				
	-	125	60	1/3hp	6K				
RT-S05	15	125	60	GP	6K	125	2/2	-/B	-
RT-S06 f/b A or Blank	16	125	60	GP	6K	85	1/1	-/A	Note 2
	10	250	60	GP	6K				

	-	125	60	3/4hp	6K				
	-	250	60	1hp	6K				
SS11, f/b Letters, Numbers or Blank, f/b Q or S, f/b -Letters, -Numbers or Blank, f/b 20 or 30, f/b -Letters, -Numbers or Blank .									
	12	125	60	GP	6K	65	1/1,2/2	-/A	-
	12	250	60	GP	6K				
	16	125	60	GP	6K				
	16	250	60	GP	6K				
	10	125	60	GP	6K				
	10	250	60	GP	6K				
	6	125	60	GP	6K				
	6	250	60	GP	6K				
SS21, f/b suffixes	10	125	60	GP	6K	65	2/1	PP/C	-
	10	250	60	GP	6K				
SS21, f/b suffixes, f/b -S									
	10	125	60	GP	6K	65	1/1	-/A	-
	10	250	60	GP	6K				
SS24, f/b Letters, Numbers or Blank, f/b Q or S, f/b -Letters, -Numbers or Blank, f/b 40 or 60, f/b -Letters, -Numbers or Blank .									
	12	125	60	GP	6K	65	2/2 or 2/1	PP/D1	-
	12	250	60	GP	6K				
	10	125	60	GP	6K				
	10	250	60	GP	6K				
	6	125	60	GP	6K				
	6	250	60	GP	6K				
	16	125	60	GP	6K				
	16	250	60	GP	6K				
SS31 f/b letters; f/b Q, S or C; f/b R, F or L; f/b D; f/b 40, 41; f/b L or blank; f/b letters or numbers or blank.									
	16	125	50/60	GP	6K	65	2/1	PP/C	2,3
	16	250	50/60	GP	6K				
	-	125	50/60	3/4hp	6K				
	-	250	50/60	3/4hp	6K				
SS31 f/b letters; f/b Q, S or C; f/b R, F or L; f/b D; f/b 60; f/b L or blank; f/b letters or numbers or blank.									
	16	125	50/60	GP	6K	65	2/2	PP/C	2, 3
	16	250	50/60	GP	6K				
	-	125	50/60	3/4hp	6K				
	-	250	50/60	3/4hp	6K				
SS31 f/b letters; f/b Q, S or C; f/b R, F or L; f/b S; f/b 20 or 21; f/b L or blank; f/b letters or numbers or blank.									

	16	125	50/60	GP	6K	65	1/1	-/A	2, 3
	16	250	50/60	GP	6K				
	-	125	50/60	3/4hp	6K				
	-	250	50/60	3/4hp	6K				
SS31 f/b letters; f/b Q, S or C; f/b R, F or L; f/b T; f/b 40, 41; f/b L or blank; f/b letters or numbers or blank.									
	16	125	50/60	GP	6K	65	2/1	PP/C	2,3
	16	250	50/60	GP	6K				
	-	125	50/60	3/4hp	6K				
	-	250	50/60	3/4hp	6K				
SS31 f/b letters; f/b Q, S or C; f/b R, F or L; f/b T; f/b 60; f/b L or blank; f/b letters or numbers or blank.									
	16	125	50/60	GP	6K	65	2/2	PP/C	2, 3
	16	250	50/60	GP	6K				
	-	125	50/60	3/4hp	6K				
	-	250	50/60	3/4hp	6K				
SS31 f/b letters; f/b Q, S or C; f/b R, F; f/b S; f/b 30; f/b letters or numbers or blank.									
	16	125	50/60	GP	6K	65	1/2	-/A	3
	16	250	50/60	GP	6K				
	-	125	50/60	3/4hp	6K				
	-	250	50/60	3/4hp	6K				
VS12 f/b M or H, f/b 11, 12									
	12	125	60	GP	-	65	1/M	-/-	-
	12	250	60	GP	-				
VS34 f/b, M or H, f/b 11, 12, 21 or 22									
	12	125	60	GP	-	55	M/M	-/-	-
	12	250	60	GP	-				

Note 2 - These are lighted switches employing a lamp. The usable lamp life has not been evaluated.

Note 6 - The switch employs push-in terminals. These have been evaluated for use with solid and solder dipped stranded conductors of a specified size (shown within parenthesis in AWG).

Marking: Company name or tradename "LEGION" , catalog, model or part number, electrical ratings and the Recognized Component Mark,  on the product or on the smallest unit container in which the product is packaged.

Last Updated on 2015-11-24

[Questions?](#)

[Print this page](#)

[Terms of Use](#)

[Page Top](#)

◆ 2015 UL LLC

The appearance of a company's name or product in this database does not in itself assure that products so identified have been manufactured under UL's Follow-Up Service. Only those products bearing the UL Mark should be considered to be Certified and covered under UL's Follow-Up Service. Always look for the Mark on the product.

UL permits the reproduction of the material contained in the Online Certification Directory subject to the following conditions: 1. The Guide Information, Assemblies, Constructions, Designs, Systems, and/or Certifications (files) must be presented in their entirety and in a non-misleading manner, without any manipulation of the data (or drawings). 2. The statement "Reprinted from the Online Certifications Directory with permission from UL" must appear adjacent to the extracted material. In addition, the reprinted material must include a copyright notice in the following format: "© 2015

UL LLC".



WOYR8.E153399

Switches, Appliance and Special Use Certified for Canada - Component

For enhanced search functionality, please visit UL's [iQ™ Family of Databases](#).

Click on a product designation for complete information.

[Page Bottom](#)

Switches, Appliance and Special Use Certified for Canada - Component

[See General Information for Switches, Appliance and Special Use Certified for Canada - Component](#)

LEGION ELECTRONIC CO LTD

E153399

Room M
4Th Fl, Continental Mansion
300 King's Rd
Hong Kong, HONG KONG

Investigated to CSA-C22.2 No. 55

Cat. No.	Amps	Volts	Hz	Load	Endur- ance	Temp C	POL/ THR	Per Pole/ Circuit Code	SPCOA
EPS11	10	125	60	GP	6K	55	1/1	-/-	-
	10	250	60	GP	6K				
	-	-	-	GP	-				
	-	-	-	GP	-				
EPS21	10	125	60	GP	6K	55	2/1	PP/D1	-
	10	250	60	GP	6K				
	-	-	-	GP	-				
	-	-	-	GP	-				
FR01 f/b A1, A2 or A3, f/b F0 or F1, f/b L1									
	6	125	60	GP	6K	65	1/M	-/-	Note 6(16 thru 20 AWG)
	6	250	60	GP	6K				
M1	7.5	125	60	GP	6K	75	1/2	-/A	-
	5	250	60	GP	6K				
MFR01 f/b A1, f/b F or M, f/b 04, 05, 06, 07, 08, 09 or 10, f/b L1									
	8	125	60	GP	6K	65	1/M	-/-	-
	8	250	60	GP	6K				
MPS11	16	125	60	GP	6K	85	1/1	PP/-	-
	10	250	60	GP	6K				
	5	125	60	TV	25K				
MPS21 f/b letter; f/b letter; f/b A or B; f/b Q; f/b M or Blank; f/b S or D; f/b - L or Blank; f/b 2 or Blank; f/b 2 or Blank; f/b -R or Blank)									


RT-S05	15	125	60	GP	6K	125	2/2	-/B	-
RT-S06 f/b A or Blank	16	125	60	GP	6K	85	1/1	-/A	Note 2
	10	250	60	GP	6K				
	-	125	60	3/4hp	6K				
	-	250	60	1hp	6K				
SS11, f/b Letters, Numbers or Blank, f/b Q or S, f/b -Letters, -Numbers or Blank, f/b 20 or 30, f/b -Letters, -Numbers or Blank .									
	12	125	60	GP	6K	65	1/1,2/2	-/A	-
	12	250	60	GP	6K				
	16	125	60	GP	6K				
	16	250	60	GP	6K				
	10	125	60	GP	6K				
	10	250	60	GP	6K				
	6	125	60	GP	6K				
	6	250	60	GP	6K				
SS21, f/b suffixes	10	125	60	GP	6K	65	2/1	PP/C	-
	10	250	60	GP	6K				
SS21, f/b suffixes, f/b -S									
	10	125	60	GP	6K	65	1/1	-/A	-
	10	250	60	GP	6K				
SS24, f/b Letters, Numbers or Blank, f/b Q or S, f/b -Letters, -Numbers or Blank, f/b 40 or 60, f/b -Letters, -Numbers or Blank .									
	12	125	60	GP	6K	65	2/2 or 2/1	PP/D1	-
	12	250	60	GP	6K				
	10	125	60	GP	6K				
	10	250	60	GP	6K				
	6	125	60	GP	6K				
	6	250	60	GP	6K				
	16	125	60	GP	6K				
	16	250	60	GP	6K				
SS31 f/b letters; f/b Q, S or C; f/b R, F or L; f/b D; f/b 40, 41; f/b L or blank; f/b letters or numbers or blank.									
	16	125	50/60	GP	6K	65	2/1	PP/C	2,3
	16	250	50/60	GP	6K				
	-	125	50/60	3/4hp	6K				
	-	250	50/60	3/4hp	6K				
SS31 f/b letters; f/b Q, S or C; f/b R, F or L; f/b D; f/b 60; f/b L or blank; f/b letters or numbers or blank.									
	16	125	50/60	GP	6K	65	2/2	PP/C	2, 3

	16	250	50/60	GP	6K				
	-	125	50/60	3/4hp	6K				
	-	250	50/60	3/4hp	6K				
SS31 f/b letters; f/b Q, S or C; f/b R, F or L; f/b S; f/b 20 or 21; f/b L or blank; f/b letters or numbers or blank.									
	16	125	50/60	GP	6K	65	1/1	-/A	2, 3
	16	250	50/60	GP	6K				
	-	125	50/60	3/4hp	6K				
	-	250	50/60	3/4hp	6K				
SS31 f/b letters; f/b Q, S or C; f/b R, F or L; f/b T; f/b 40, 41; f/b L or blank; f/b letters or numbers or blank.									
	16	125	50/60	GP	6K	65	2/1	PP/C	2,3
	16	250	50/60	GP	6K				
	-	125	50/60	3/4hp	6K				
	-	250	50/60	3/4hp	6K				
SS31 f/b letters; f/b Q, S or C; f/b R, F or L; f/b T; f/b 60; f/b L or blank; f/b letters or numbers or blank.									
	16	125	50/60	GP	6K	65	2/2	PP/C	2, 3
	16	250	50/60	GP	6K				
	-	125	50/60	3/4hp	6K				
	-	250	50/60	3/4hp	6K				
SS31 f/b letters; f/b Q, S or C; f/b R, F; f/b S; f/b 30; f/b letters or numbers or blank.									
	16	125	50/60	GP	6K	65	1/2	-/A	3
	16	250	50/60	GP	6K				
	-	125	50/60	3/4hp	6K				
	-	250	50/60	3/4hp	6K				
VS12 f/b M or H, f/b 11, 12									
	12	125	60	GP	-	65	1/M	-/-	-
	12	250	60	GP	-				
VS34 f/b, M or H, f/b 11, 12, 21 or 22									
	12	125	60	GP	-	55	M/M	-/-	-
	12	250	60	GP	-				

Note 2 - These are lighted switches employing a lamp. The usable lamp life has not been evaluated.

Note 6 - The switch employs push-in terminals. These have been evaluated for use with solid and solder dipped stranded conductors of a specified size (shown within parenthesis in AWG).

Marking: Company name or tradename "LEGION" , catalog, model or part number, electrical ratings and the Recognized

Component Mark for Canada,  on the product or on the smallest unit container in which the product is packaged.

Last Updated on 2015-11-24

The appearance of a company's name or product in this database does not in itself assure that products so identified have been manufactured under UL's Follow-Up Service. Only those products bearing the UL Mark should be considered to be Certified and covered under UL's Follow-Up Service. Always look for the Mark on the product.

UL permits the reproduction of the material contained in the Online Certification Directory subject to the following conditions: 1. The Guide Information, Assemblies, Constructions, Designs, Systems, and/or Certifications (files) must be presented in their entirety and in a non-misleading manner, without any manipulation of the data (or drawings). 2. The statement "Reprinted from the Online Certifications Directory with permission from UL" must appear adjacent to the extracted material. In addition, the reprinted material must include a copyright notice in the following format: "© 2015 UL LLC".

ZEICHENGENEHMIGUNG MARKS APPROVAL

Rock Tek Electronics
(Shenzhen) Co., Ltd.
No. 98 Guanguang Road
Guanlan Town
518110 BAOAN DISTRICT, SHENZHEN CITY
CHINA

ist berechtigt, für ihr Produkt /
is authorized to use for their product

Geräteschalter
Switch for appliances

die hier abgebildeten markenrechtlich geschützten Zeichen
für die ab Blatt 2 aufgeführten Typen zu benutzen /
the legally protected Marks as shown below for the types referred to on page 2 ff.



Geprüft und zertifiziert nach /
Tested and certified according to

DIN EN 61058-1 (VDE 0630-1):2008-09; EN 61058-1:2002 + A2:2008
IEC 61058-1(ed.3);am1;am2



VDE Prüf- und Zertifizierungsinstitut GmbH
VDE Testing and Certification Institute
Zertifizierungsstelle / Certification

Aktenzeichen: 5004990-4401-0002 / 219500

File ref.:

Ausweis-Nr. 40018133

Blatt 1

Certificate No.

Page

Weitere Bedingungen siehe Rückseite und Folgeblätter /
further conditions see overleaf and following pages

Offenbach, 2006-06-29

(letzte Änderung / updated 2015-12-17)

VDE Zertifikate sind nur gültig bei Veröffentlichung unter:
VDE certificates are valid only when published on:

<http://www.vde.com/zertifikat>
<http://www.vde.com/certificate>

Name und Sitz des Genehmigungs-Inhabers / *Name and registered seat of the Certificate holder*

Rock Tek Electronics (Shenzhen) Co., Ltd., No. 98 Guanguang Road, Guanlan Town, 518110 BAOAN
DISTRICT, SHENZHEN CITY, Guangdong, CHINA

Aktenzeichen / *File ref.*

5004990-4401-0002 / 219500 / CC1 / LF

letzte Änderung / *updated*

2015-12-17

Datum / *Date*

2006-06-29

Dieses Blatt gilt nur in Verbindung mit Blatt 1 des Zeichengenehmigungsausweises Nr. 40018133.

This supplement is only valid in conjunction with page 1 of the Certificate No. 40018133.

Geräteschalter *Switch for appliances*

Typ(en) / *Type(s)*

RT-S01

Bemessungsspannung, AC
Rated voltage, AC

250 V

Bemessungsstrom
Rated current

10(4) A

Art und Anschluss von Schaltern
Type and connection of switches

Wippenschalter ; Kode 1.2
Rocker switch ; code 1.2

Abschaltung
Disconnection

Mikro Abschaltung
micro disconnection

Schaltzyklen
Number of operating cycles

10E3

Umgebungs-Lufttemperatur
Ambient air temperature

T85/55

Art der Montage
Method of mounting

zum Einbau in Geräte der Schutzklasse I und II
Incorporated in class I and class II equipment

Art der Betätigung
Method of actuating

direkte Betätigung
direct actuating

Schalter der Kategorie
Switch category

3

Glühdrahtprüfung (GWT)
Glow-wire test (GWT)

850°C

Fortsetzung siehe Blatt 3 /
continued on page 3

VDE Prüf- und Zertifizierungsinstitut Zeichengenehmigung

Ausweis-Nr. / Blatt /
Certificate No. / Page
40018133 / 3

Name und Sitz des Genehmigungs-Inhabers / Name and registered seat of the Certificate holder

Rock Tek Electronics (Shenzhen) Co., Ltd., No. 98 Guangguang Road, Guanlan Town, 518110 BAOAN
DISTRICT, SHENZHEN CITY, Guangdong, CHINA

Aktenzeichen / File ref.

5004990-4401-0002 / 219500 / CC1 / LF

letzte Änderung / updated

2015-12-17

Datum / Date

2006-06-29

Dieses Blatt gilt nur in Verbindung mit Blatt 1 des Zeichengenehmigungsausweises Nr. 40018133.

This supplement is only valid in conjunction with page 1 of the Certificate No. 40018133.

Kriechstromfestigkeit <i>Tracking resistance</i>	PTI 250
Anschluss <i>Type of terminal</i>	Lötanschluss <i>Solder terminal</i>
Überspannungskategorie <i>Overvoltage category</i>	II
Verschmutzungsgrad <i>Degree of pollution</i>	2
Werkstoffgruppe <i>Material group</i>	IIIa
Weitere Angaben siehe Anlage <i>Further information see appendix</i>	Nr. 1 vom 2015-12-17 <i>No. 1 dated 2015-12-17</i>
Anmerkung <i>Remark</i>	Luft- und Kriechstrecken zwischen unter Spannung stehenden Teilen und dem Betätiger: Verstärkte Isolierung <i>Clearance and creepage distances between live parts and the actuating mean: Reinforced insulation</i>

Dieser Zeichengenehmigungs-Ausweis bildet eine Grundlage für die EG-Konformitätserklärung und CE-Kennzeichnung durch den Hersteller oder dessen Bevollmächtigten und bescheinigt die Konformität mit den grundlegenden Schutzanforderungen der **EG-Niederspannungsrichtlinie (2006/95/EG bis 19.04.2016, 2014/35/EU ab 20.04.2016)**.

*This Marks Approval is a basis for the EC Declaration of Conformity and the CE Marking by the manufacturer or his agent and proves the conformity with the essential safety requirements of the **EC Low-Voltage Directive (2006/95/EC until 2016-04-19, 2014/35/EU from 2016-04-20)**.*

VDE Prüf- und Zertifizierungsinstitut GmbH
VDE Testing and Certification Institute
Fachgebiet CC1
Section CC1

VDE Prüf- und Zertifizierungsinstitut Zeichengenehmigung

Ausweis-Nr. / Beiblatt /
Certificate No. Supplement
40018133

Name und Sitz des Genehmigungs-Inhabers / *Name and registered seat of the Certificate holder*

Rock Tek Electronics (Shenzhen) Co., Ltd., No. 98 Guanguang Road, Guanlan Town, 518110 BAOAN
DISTRICT, SHENZHEN CITY, Guangdong, CHINA

Aktenzeichen / *File ref.*

5004990-4401-0002 / 219500 / CC1 / LF

letzte Änderung / *updated*

2015-12-17

Datum / *Date*

2006-06-29

Dieses Beiblatt ist Bestandteil des Zeichengenehmigungsausweises Nr. 40018133.

This supplement is part of the Certificate No. 40018133.

Geräteschalter *Switch for appliances*

Fertigungsstätte(n) *Place(s) of manufacture*

Referenz/*Reference*
30016237

Rock Tek Electronics
(Shenzhen) Co., Ltd.
No. 98 Guanguang Road
Guanlan Town
518110 BAOAN DISTRICT, SHENZHEN CITY
Guangdong
CHINA

VDE Prüf- und Zertifizierungsinstitut GmbH
VDE Testing and Certification Institute
Fachgebiet CC1
Section CC1



VDE Prüf- und Zertifizierungsinstitut Zeichengenehmigung

Ausweis-Nr. / Infoblatt /
Certificate No. / Info sheet
40018133

Name und Sitz des Genehmigungs-Inhabers / Name and registered seat of the Certificate holder

Rock Tek Electronics (Shenzhen) Co., Ltd., No. 98 Guangguang Road, Guanlan Town, 518110 BAOAN DISTRICT, SHENZHEN CITY, Guangdong, CHINA

Aktenzeichen / File ref.

5004990-4401-0002 / 219500 / CC1 / LF

letzte Änderung / updated

2015-12-17

Datum / Date

2006-06-29

Dieses Blatt gilt nur in Verbindung mit Blatt 1 des Zeichengenehmigungsausweises Nr. 40018133.

This supplement is only valid in conjunction with page 1 of the Certificate No. 40018133.

Genehmigung zum Benutzen des auf Seite 1 abgebildeten markenrechtlich geschützten Zeichens des VDE:

Grundlage für die Benutzung sind die Allgemeinen Geschäftsbedingungen (AGB) der VDE Prüf- und Zertifizierungsinstitut GmbH (www.vde.com\AGB-Institut). Das Recht zur Benutzung erstreckt sich nur auf die bezeichnete Firma mit den genannten Fertigungsstätten und die oben aufgeführten Produkte mit den zugeordneten Bezeichnungen. Die Fertigungsstätte muss so eingerichtet sein, dass eine gleichmäßige Herstellung der geprüften und zertifizierten Ausführung gewährleistet ist.

Die Genehmigung ist so lange gültig wie die VDE-Bestimmungen gelten, die der Zertifizierung zugrunde gelegen haben, sofern sie nicht auf Grund anderer Bedingungen aus der VDE Prüf- und Zertifizierungsordnung (PM102) zurückgezogen werden muss.

Der Gültigkeitszeitraum einer VDE-GS-Zeichengenehmigung kann auf Antrag verlängert werden. Bei gesetzlichen und / oder normativen Änderungen kann die VDE-GS-Zeichengenehmigung ihre Gültigkeit zu einem früheren als dem angegebenen Datum verlieren.

Produkte, die das Biozid Dimethylfumarat (DMF) enthalten, dürfen gemäß der Kommissionsentscheidung 2009/251/EG nicht mehr in den Verkehr gebracht oder auf dem Markt bereitgestellt werden.

Der VDE-Zeichengenehmigungsausweis wird ausschließlich auf der ersten Seite unterzeichnet.

Approval to use the legally protected Mark of the VDE as shown on the first page:

Basis for the use are the general terms and conditions of the VDE Testing and Certification Institute (www.vde.com\terms-institute). The right to use the mark is granted only to the mentioned company with the named places of manufacture and the listed products with the related type references. The place of manufacture shall be equipped in a way that a constant manufacturing of the certified construction is assured.

The approval is valid as long as the VDE specifications are in force, on which the certification is based on, unless it is withdrawn according to the VDE Testing and Certification Procedure (PM102E).

The validity period of a VDE-GS-Mark Approval may be prolonged on request. In case of changes in legal and / or normative requirements, the validity period of a VDE-GS-Mark Approval may be shortened.

Products containing the biocide dimethylfumarate (DMF) may not be marketed or made available on the EC market according to the Commission Decision 2009/251/EC.

The approval is solely signed on the first page.



PRODUCT CERTIFICATE

No.: CQC06002016325

NAME AND ADDRESS OF THE APPLICANT

ROCK TEK ELECTRONICS(SHEN ZHEN) CO.,LTD
Guanguang Rd,Guanlan Town,Baoan District,Shenzhen City,Guangdong,China

NAME AND ADDRESS OF THE MANUFACTURER

ROCK TEK ELECTRONICS(SHEN ZHEN) CO.,LTD
Guanguang Rd,Guanlan Town,Baoan District,Shenzhen City,Guangdong,China

NAME AND ADDRESS OF THE FACTORY

ROCK TEK ELECTRONICS(SHEN ZHEN) CO.,LTD(V006093)
Guanguang Rd,Guanlan Town,Baoan District,Shenzhen City,Guangdong,China

NAME, MODEL AND SPECIFICATION

ROCK SWITCH
RT-S01 Series 10A 125VAC 6A 250VAC 50Hz 1E4 PT1175

THE STANDARDS AND TECHNICAL REQUIREMENTS FOR THE PRODUCTS

GB15092.1-2010

CERTIFICATION MODEL

Type Testing of Product + Initial Factory Inspection + Follow up Factory Inspection

This is to certify that the above mentioned products have met the requirements of certification rules CQC11-462124-2009.

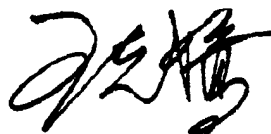
Date of issue: Apr.09,2012

Date of expiry: Apr.09,2016

Validity of this certificate is subject to positive result of the regular follow up inspection by issuing certification body until the expiry date.

Date of original certification: May.29,2006

President:


Wang Kejiao



CHINA QUALITY CERTIFICATION CENTRE

Section 9, No.188, Nansihuan Xilu, Beijing 100070 P.R.China

<http://www.cqc.com.cn>

C 0025470

X-ON Electronics

Largest Supplier of Electrical and Electronic Components

Click to view similar products for [Rocker Switches](#) category:

Click to view products by [ROCKTEK](#) manufacturer:

Other Similar products are found below :

[VKD2GHNB-00000-000](#) [VSD2GNNB-00000-000](#) [6-1571986-5](#) [6-1571986-9](#) [632422-4B-KD](#) [7036WWCDBX653+U622](#) [8055K52Z7V](#)
[8138K20E6M50](#) [FMC18A2200002](#) [84206L](#) [84312LX](#) [PREDD4-07F-BB0FW](#) [PREDD5-07F-BB0GW](#) [PRFDD1-16F-BB000](#) [PRFDD3-16F-](#)
[BB000](#) [1-1634201-0](#) [999-16702-001](#) [A101J2ZQ004](#) [A101J4ZQ004](#) [A101J51CB0004](#) [A107J51ZQ0004](#) [A201J1AQ004](#) [A201J1AV2Q004](#)
[A201J3ZB004](#) [A201J50ZQ004](#) [A203J51ZQ0004](#) [A226L11YZQ](#) [A22L11A](#) [A435S1YZQ](#) [H8500XBBBBL-A](#) [H8653VBBG2577W](#)
[HB130CHNWWNAAC](#) [1251.0303](#) [AE205J60V3B004](#) [RH110C2NBB](#) [1352.0107](#) [1363.0201](#) [AML25GBF2AA03GR](#) [1571099-3](#) [1571987-4](#)
[1571987-5](#) [1571989-7](#) [B123J77V7B2](#) [B226J50W4Q22P](#) [B433J37ZQ22M](#) [160212E](#) [1801.1164](#) [1831.1102](#) [1833.3402](#) [1837.1118](#)