

承 認 書

SPECIFICATION FOR APPROVAL

*客戶名稱 : 立創
Customer name

*產品名稱 : 跷板开关
Product Description

*產品型號 : RT-S03-236-L7NB1B
Product part number

*客戶料號 :
Customer's material number

*數量 : 0PCS
Quantity

*日期 : 2019-6-28
Date

供應商負責人簽名		客戶負責人確認簽回	
製作人	莫丽琴	承認人	
審核	李跃鑫	審核	
批准	王瑞宝	批准	

皓宇(香港)有限公司
HAOYU (HONG KONG) LIMITED
六均电子五金有限公司
LEGION ELECTRONIC&HARDWARE CO., LTD
富力隆电子(深圳)有限公司
ROCKTEK ELECTRONICS (SHENZHEN) CO. LTD
東莞市石碣鎮四村第一工業區
Sicun 1st Industrial park, Sicun,
Shijie Town, Dongguan

電話 : (86) 769-82310511-2
Tel No

傳真 : (86) 769-82310510
Fax No

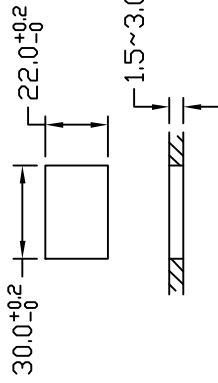
郵箱 : haoyu888@21cn.com
E - mail

核 准 :
Approved

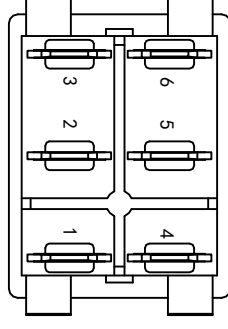
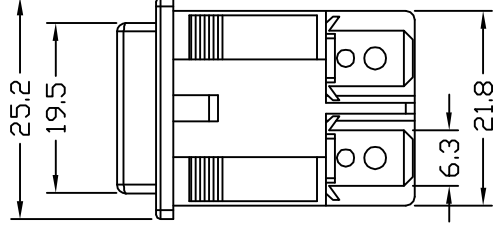
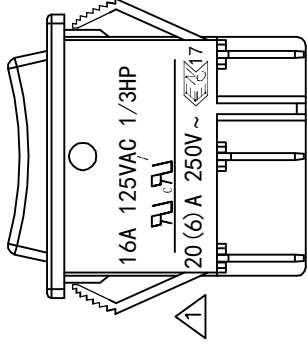
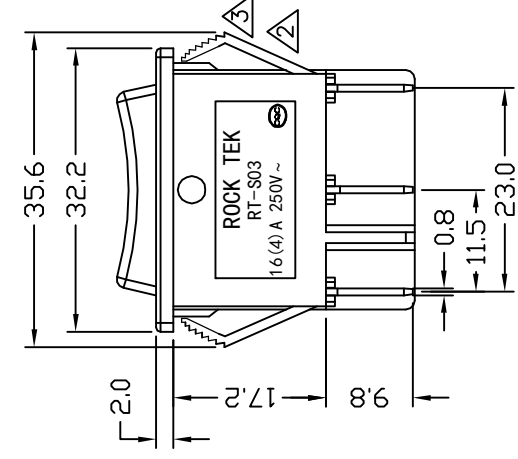
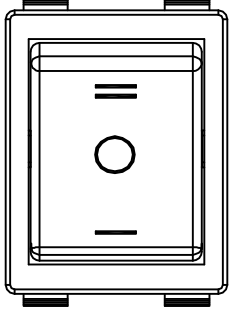
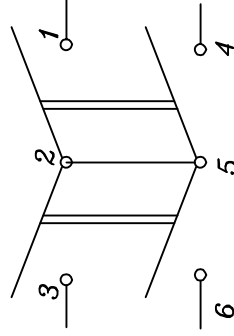
NOTE:

1. Rating: 16(4)A 250VAC CQC
16A 125VAC1/3HP UL,CUL
20(6)A 125VAC ENEC
2. Circuit: ON/OFF/ON
3. Force: 800±300
3. Color: Cover is Black, Body is Black.

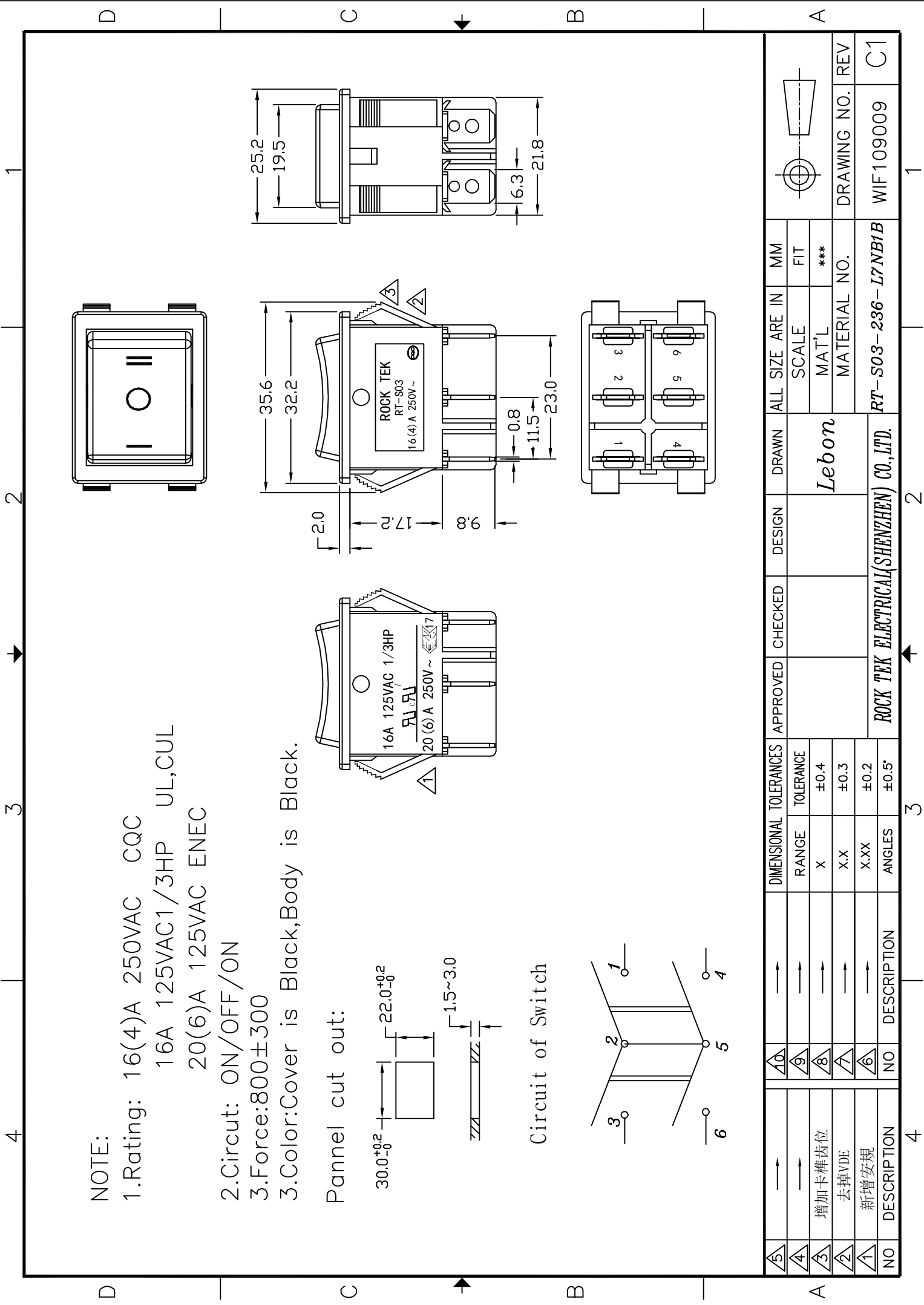
Panel cut out:



Circuit of Switch



NO	DESCRIPTION	DIMENSIONAL TOLERANCES			APPROVED	CHECKED	DESIGN	DRAWN	ALL SIZE ARE IN				
		RANGE	TOLERANCE	MM					SCALE	FIT			
5	→	△10											
4	→	△9	X	±0.4									
3	增加卡榫齿位	△8	X.X	±0.3									
2	去掉VDE	△7	X.XX	±0.2									
1	新增安規	△6	ANGLES	±0.5°									
NO	DESCRIPTION	NO	DESCRIPTION	NO	APPROVED	CHECKED	DESIGN	DRAWN	MATERIAL NO.			DRAWING NO.	REV
								Lebon	RT-S03-236-L7NB1B			WIF109009	C1



1.Scope

This specification covers the RT-S03 series rocker switch.

2.Rating

16A 125VAC 1/3HP UL,CUL

16(4)A 250VAC CQC

20(6)A 250VAC ENEC

3.Standard

UL61058-1

EN60158-1 2002,

GB15092

4.Dimensions

Dimensions of this switch are shown on the following drawing.

5.Electrical

5.1. Contact Resistance

The contact resistance should be $50\text{m}\Omega$ (Max).

5.2. Insulation resistance

It is measured with 500V DC 1 minute should be $100\text{M}\Omega$ (Min).

5.3.Dielectric strength

(Between terminals of open contacts and terminals of opposite polarity)

Dielectric strength should withstand without breakdown a potential of AC
1500V/minute.

(Between terminals and metal frame)

Dielectric strength should withstand without breakdown a potential of AC
1500V/minute

6.Terminal Strength

Using a static force of 5kg in one direction on the tip terminal for 1 minute.

The terminal may be deformed, but should not sustain any trouble as deviation

And breaking of terminal and breaking of insulation.

7.Life test

All of the mechanical life are over 30,000 cycles.

All of the electrical life all over 10,000 cycles.

8.Soldering test

The terminals shall be well soldered of dipped place of immersed place in the solder.

Dipped in molten solder of $260^{\circ}\pm 5^{\circ}\text{C}$ and the dwell time in solder is 3~5 seconds and

More than 75% of the dipped shall be covered by solder.

9. Humidity test

The switch shall be stored at a temperature of $40\pm 2^{\circ}\text{C}$ and a humidity of 90% to 95%

for 96 hours. Then the switch shall be maintained at standard atmospheric condition

for 1 hour after which measurement shall be made. The shall be no deformation or cracks

in molded part.



WOYR2.E300970 Switches, Appliance and Special Use - Component

For enhanced search functionality, please visit UL's [iQ™ Family of Databases](#).

Click on a product designation for complete information.

[Page Bottom](#)

Switches, Appliance and Special Use - Component

[See General Information for Switches, Appliance and Special Use - Component](#)

ROCK TEK ELECTRONICS INDUSTRY CORP

E300970

98 GUANGUANG RD

BAO'AN DISTRICT, GUANLAN TOWN

SHENZHEN, GUANGDONG 518110 CHINA


Investigated to ANSI/UL 1054

Cat. No.	Amps	Volts	Hz	Load	Endurance	Temp C	POL/THR	Per Pole/Circuit Code	SPCOA
M1	7.5	125	60	GP	6K	75	1/2	-/A	-
	5	250	60	GP	6K				
RT-M2,f/b 0, 1, 2, 3, 4, 5 or 6									
	5	125	60	GP	6K	85	1/2	-/A	-
	5	250	60	GP	6K				
	6	30	DC	R	6K				
RT-P02	7	14	DC	-	6K	65	1/2	-/A	-
RT-P03	16	125	60	GP	6K	85	1/1	-/A	Note 2
	16	250	60	GP	6K				
	-	125	60	3/4hp	6K				
RT-P04	16	125	60	GP	6K	95	1/1	-/A	-
	-	125	60	1/2hp	6K				
RT-P05	14	125	50/60	GP	6K	65	2/1	-/B	Note 11A
	14	250	50/60	GP	6K				
	-	125	50/60	1/2hp	6K				
	-	250	50/60	1hp	6K				
RT-S01	10	125	60	GP	6K	85	1/1	-/A	-
	6	250	60	GP	6K				
RT-S01A	10	125	60	GP	6K	85	1/1	-/A	Note 2
	6	250	60	GP	6K				
RT-S02	15	125	60	GP	6K	85	1/1	-/A	-
	8	250	60	GP	6K				
RT-S02A	15	125	60	GP	6K	85	1/1	-/A	Note 2
	8	250	60	GP	6K				
RT-S03	16	125	60	GP	6K	105	2/1	-/B	-
	16	250	60	GP	6K				
	-	125	60	1/3hp	6K				
RT-S03A	16	125	60	GP	6K	105	2/1	-/B	Note 2
	16	250	60	GP	6K				

	-	125	60	1/3hp	6K				
RT-S05	15	125	60	GP	6K	125	2/2	-/B	-
RT-S06 f/b A or Blank	16	125	60	GP	6K	85	1/1	-/A	Note 2
	10	250	60	GP	6K				
	-	125	60	3/4hp	6K				
	-	250	60	1hp	6K				

Note 11A - Switch may be marked with the voltage rating single or double underlined for tested using 240 V or 250 V to ground.

Note 2 - These are lighted switches employing a lamp. The usable lamp life has not been evaluated.

Marking: Company name, catalog, model or part number, electrical ratings and the Recognized Component Mark,  on the product or on the smallest unit container in which the product is packaged.

Last Updated on 2016-07-19

[Questions?](#)

[Print this page](#)

[Terms of Use](#)

[Page Top](#)

◆ 2016 UL LLC

The appearance of a company's name or product in this database does not in itself assure that products so identified have been manufactured under UL's Follow-Up Service. Only those products bearing the UL Mark should be considered to be Certified and covered under UL's Follow-Up Service. Always look for the Mark on the product.

UL permits the reproduction of the material contained in the Online Certification Directory subject to the following conditions: 1. The Guide Information, Assemblies, Constructions, Designs, Systems, and/or Certifications (files) must be presented in their entirety and in a non-misleading manner, without any manipulation of the data (or drawings). 2. The statement "Reprinted from the Online Certifications Directory with permission from UL" must appear adjacent to the extracted material. In addition, the reprinted material must include a copyright notice in the following format: "© 2016 UL LLC".



WOYR8.E300970

Switches, Appliance and Special Use Certified for Canada - Component

For enhanced search functionality, please visit UL's [iQ™ Family of Databases](#).

Click on a product designation for complete information.

[Page Bottom](#)

Switches, Appliance and Special Use Certified for Canada - Component

[See General Information for Switches, Appliance and Special Use Certified for Canada - Component](#)

ROCK TEK ELECTRONICS INDUSTRY CORP

E300970

98 GUANGUANG RD

BAO'AN DISTRICT, GUANLAN TOWN

SHENZHEN, GUANGDONG 518110 CHINA


Investigated to CSA-C22.2 No. 55

Cat. No.	Amps	Volts	Hz	Load	Endurance	Temp C	POL/THR	Per Pole/Circuit Code	SPCOA
M1	7.5	125	60	GP	6K	75	1/2	-/A	-
	5	250	60	GP	6K				
RT-M2,f/b 0, 1, 2, 3, 4, 5 or 6									
	5	125	60	GP	6K	85	1/2	-/A	-
	5	250	60	GP	6K				
	6	30	DC	R	6K				
RT-P02	7	14	DC	-	6K	65	1/2	-/A	-
RT-P03	16	125	60	GP	6K	85	1/1	-/A	Note 2
	16	250	60	GP	6K				
	-	125	60	3/4hp	6K				
RT-P04	16	125	60	GP	6K	95	1/1	-/A	-
	-	125	60	1/2hp	6K				
RT-P05	14	125	50/60	GP	6K	65	2/1	-/B	Note 11A
	14	250	50/60	GP	6K				
	-	125	50/60	1/2hp	6K				
	-	250	50/60	1hp	6K				
RT-S01	10	125	60	GP	6K	85	1/1	-/A	-
	6	250	60	GP	6K				
RT-S01A	10	125	60	GP	6K	85	1/1	-/A	Note 2
	6	250	60	GP	6K				
RT-S02	15	125	60	GP	6K	85	1/1	-/A	-
	8	250	60	GP	6K				
RT-S02A	15	125	60	GP	6K	85	1/1	-/A	Note 2
	8	250	60	GP	6K				
RT-S03	16	125	60	GP	6K	105	2/1	-/B	-
	16	250	60	GP	6K				
	-	125	60	1/3hp	6K				
RT-S03A	16	125	60	GP	6K	105	2/1	-/B	Note 2
	16	250	60	GP	6K				

	-	125	60	1/3hp	6K				
RT-S05	15	125	60	GP	6K	125	2/2	-/B	-
RT-S06 f/b A or Blank	16	125	60	GP	6K	85	1/1	-/A	Note 2
	10	250	60	GP	6K				
	-	125	60	3/4hp	6K				
	-	250	60	1hp	6K				

Note 11A - Switch may be marked with the voltage rating single or double underlined for tested using 240 V or 250 V to ground.

Note 2 - These are lighted switches employing a lamp. The usable lamp life has not been evaluated.

Marking: Company name, catalog, model or part number, electrical ratings and the Recognized Component Mark for Canada,  on the product or on the smallest unit container in which the product is packaged.

Last Updated on 2016-07-19

[Questions?](#)

[Print this page](#)

[Terms of Use](#)

[Page Top](#)

◆ 2016 UL LLC

The appearance of a company's name or product in this database does not in itself assure that products so identified have been manufactured under UL's Follow-Up Service. Only those products bearing the UL Mark should be considered to be Certified and covered under UL's Follow-Up Service. Always look for the Mark on the product.

UL permits the reproduction of the material contained in the Online Certification Directory subject to the following conditions: 1. The Guide Information, Assemblies, Constructions, Designs, Systems, and/or Certifications (files) must be presented in their entirety and in a non-misleading manner, without any manipulation of the data (or drawings). 2. The statement "Reprinted from the Online Certifications Directory with permission from UL" must appear adjacent to the extracted material. In addition, the reprinted material must include a copyright notice in the following format: "© 2016 UL LLC".

Licence for use of the here shown ENEC conformity mark :



Based on:

Agreement on the use of a commonly agreed Mark on Conformity for equipment complying with European Standards as of 12 November 1991 (in short ENEC Agreement), as revised latest by ENEC group April 16. 1997.

Nemko hereby grants the following manufacturer as licensee the right to affix this ENEC mark on the product(s) specified below.

Product	Rocker switch
Applicant	Rock Tek Electronics (Shenzhen) Co., Ltd. Guanguang Road, Guanlan Town, Baoan District, Shenzhen City, Guangdong China
Manufacturer	Rock Tek Electronics (Shenzhen) Co., Ltd. Guanguang Road, Guanlan Town, Baoan District, Shenzhen City, Guangdong China
Factory	Dong Guan Legion Electronic & Hardware Co., Ltd. Yayuan Road, the first industrial zone, Four village, Shijie town, Dongguan City, Guangdong Province China <input type="checkbox"/> See next page(s)
Ratings	20(6)A 250V~
Trade mark	ROCK TEK
Model / Type Ref.	RT-S03
Principal characteristics	Rocker switch for incorporation, Cl.II, full disconnection, T55, 1E4, pollution degree II, PT1175, single pole, IP00 when mounted as declared, Solder Terminal. <input type="checkbox"/> See next page(s)
A sample of the product was tested and found to be in conformity with	INST EN 61058-1:2002;A2
The conditions for this licence are that the ENEC-marked products conform with the applicable Standard(s) as stated in the Test Report with Order No:	315402
and that Articles 8 and 9 of the ENEC Agreement are fulfilled by the manufacturer. The mark signifies the compliance of the completed products with these conditions. Further information is given in the attached Annex, which forms an obligatory part of this licence document. This licence has been issued under the presumption and conditional on the fact that the licensee holds all necessary legal rights with regard to the product presented for testing and certification.	
Additional model(s)	<input type="checkbox"/> See next page(s)

Date of issue 28-09-2016



Sweet Yuan

Certification Department

Nemko AS

Gaustadalléen 30, P.O. Box 73 Blindern, 0314 Oslo, Norway
TEL +47 22 96 03 30 FAX +47 22 96 05 50 EMAIL info@nemko.com
ENTERPRISE NUMBER NO974404532



产品认证证书

证书编号: CQC06002015642

申请人名称及地址

富力隆电子(深圳)有限公司
广东省深圳市宝安区观澜大水坑观光公路观澜镇大水坑桔新经济合作社

制造商名称及地址

富力隆电子(深圳)有限公司
广东省深圳市宝安区观澜大水坑观光公路观澜镇大水坑桔新经济合作社

生产企业名称及地址

富力隆电子(深圳)有限公司 (V006093)
广东省深圳市宝安区观澜大水坑观光公路观澜镇大水坑桔新经济合作社

产品名称和系列、规格、型号

按钮开关

RI-S03 系列 16A 250VAC 50Hz 1E4 PII175 锡焊端头 污染等级2 系列命名方式见证书附件

产品标准和技术要求

GB15092.1-2010

认证模式

产品型式试验+初次工厂检查+获证后监督

上述产品符合CQC11-462124-2009认证规则的要求,特发此证。

发证日期: 2016年04月06日

证书有效期内本证书的有效性依据发证机构的定期监督获得保持。

本证书为变更证书,证书首次颁发日期: 2006年03月31日

主任: _____



中国质量认证中心

中国·北京·南四环西路188号9区100070

<http://www.cqc.com.cn>

C 0082568

X-ON Electronics

Largest Supplier of Electrical and Electronic Components

Click to view similar products for [Rocker Switches](#) category:

Click to view products by [ROCKTEK](#) manufacturer:

Other Similar products are found below :

[VKD2GHNB-00000-000](#) [VSD2GNNB-00000-000](#) [6-1571986-5](#) [6-1571986-9](#) [632422-4B-KD](#) [7036WWCDBX653+U622](#) [8055K52Z7V](#)
[8138K20E6M50](#) [FMC18A2200002](#) [84206L](#) [84312LX](#) [PREDD4-07F-BB0FW](#) [PREDD5-07F-BB0GW](#) [PRFDD1-16F-BB000](#) [PRFDD3-16F-](#)
[BB000](#) [1-1634201-0](#) [999-16702-001](#) [A101J2ZQ004](#) [A101J4ZQ004](#) [A101J51CB0004](#) [A107J51ZQ0004](#) [A201J1AQ004](#) [A201J1AV2Q004](#)
[A201J3ZB004](#) [A201J50ZQ004](#) [A203J51ZQ0004](#) [A226L11YZQ](#) [A22L11A](#) [A435S1YZQ](#) [H8500XBBBBL-A](#) [H8653VBBG2577W](#)
[HB130CHNWWNAAC](#) [1251.0303](#) [AE205J60V3B004](#) [RH110C2NBB](#) [1352.0107](#) [1363.0201](#) [AML25GBF2AA03GR](#) [1571099-3](#) [1571987-4](#)
[1571987-5](#) [1571989-7](#) [B123J77V7B2](#) [B226J50W4Q22P](#) [B433J37ZQ22M](#) [160212E](#) [1801.1164](#) [1831.1102](#) [1833.3402](#) [1837.1118](#)