



Features

- ✧ For surface mounted applications in order to optimize board space
- ✧ Low profile space
- ✧ Glass passivated chip
- ✧ High reliability
- ✧ For use in stabilizing and clipping circuits with high power rating.
- ✧ Component in accordance to RoHS 2002/95/EC and WEEE 2002/96/EC

Mechanical Data

- ✧ Case: JEDEC SOD-123FL molded plastic over passivated chip
- ✧ Terminals: Solder plated, solderable per MIL-STD-750 Method 2026
- ✧ Polarity: types the band by laser denotes the cathode
- ✧ Weight: 0.017gram

Applications

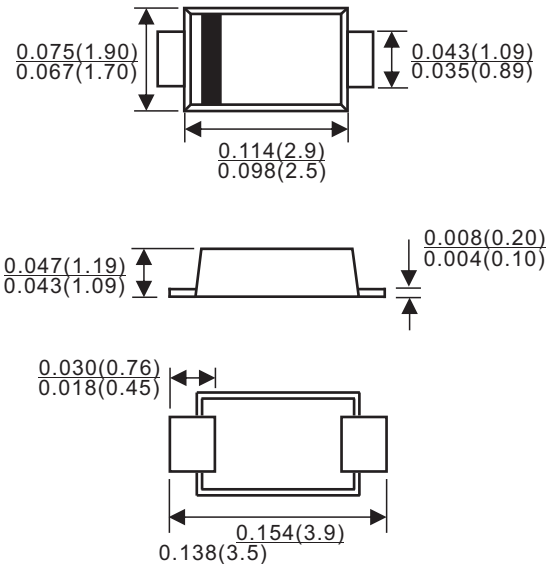
- ✧ Voltage stabilization

Maximum Ratings & Thermal Characteristics

($T_A = 25\text{ }^\circ\text{C}$ unless otherwise noted)

	Symbol	VALUE	UNIT
power dissipation	P	1.0	W
Typical thermal resistance, junction to ambient	$R_{\theta JA}$		$^\circ\text{C} / \text{W}$
Typical thermal resistance, junction to lead	$R_{\theta JL}$		$^\circ\text{C} / \text{W}$
Junction temperature	T_J	150	$^\circ\text{C}$
storage temperature range	T_{STG}	-55 to +150	$^\circ\text{C}$

SOD-123FL



Dimensions in inches and(millimeters)

Electrical Characteristics

T_A = 25°C unless otherwise noted.

DEVICE House No.	Zener Voltage			Zener Impedance			Leakage Current		
	V _Z (Volts)			@I _{ZT}	Z _{ZT} @I _{ZT}	Z _{ZK} @I _{ZK}		I _R @V _R	
	Min	Nom	Max	mA	Ω	Ω	mA	uA	Volts
DZL4728	3.13	3.3	3.47	76	10	400	1.0	100	1.0
DZL4729	3.42	3.6	3.78	69	10	400	1.0	100	1.0
DZL4730	3.70	3.9	4.10	64	9	400	1.0	50	1.0
DZL4731	4.08	4.3	4.52	58	9	400	1.0	50	1.0
DZL4732	4.46	4.7	4.94	53	8	500	1.0	10	1.0
DZL4733	4.84	5.1	5.36	49	7	550	1.0	10	1.0
DZL4734	5.32	5.6	5.88	45	5	600	1.0	10	2.0
DZL4735	5.89	6.2	6.51	41	2	700	1.0	10	3.0
DZL4736	6.46	6.8	7.14	37	3.5	700	1.0	10	4.0
DZL4737	7.12	7.5	7.88	34	4	700	0.5	10	5.0
DZL4738	7.79	8.2	8.61	31	4.5	700	0.5	10	6.0
DZL4739	8.64	9.1	9.56	28	5	700	0.5	10	7.0
DZL4740	9.50	10	10.50	25	7	700	0.25	10	7.6
DZL4741	10.45	11	11.55	23	8	700	0.25	5	8.4
DZL4742	11.40	12	12.60	21	9	700	0.25	5	9.1
DZL4743	12.35	13	13.65	19	10	700	0.25	5	9.9
DZL4744	14.25	15	15.75	17	14	700	0.25	5	11.4
DZL4745	15.20	16	16.80	15.5	16	700	0.25	5	12.2
DZL4746	17.10	18	18.90	14	20	750	0.25	5	13.7
DZL4747	19.00	20	21.00	12.5	22	750	0.25	5	15.2
DZL4748	20.90	22	23.10	11.5	23	750	0.25	5	16.7
DZL4749	22.80	24	25.20	10.5	25	750	0.25	5	18.2
DZL4750	25.65	27	28.35	9.5	35	750	0.25	5	20.6
DZL4751	28.50	30	31.50	8.5	40	1000	0.25	5	22.8
DZL4752	31.35	33	34.65	7.5	45	1000	0.25	5	25.1
DZL4753	34.20	36	37.80	7	50	1000	0.25	5	27.4
DZL4754	37.05	39	40.95	6.5	60	1500	0.25	5	29.7
DZL4755	40.85	43	45.15	6	70	1500	0.25	5	32.7
DZL4756	44.65	47	49.35	5.5	80	1500	0.25	5	35.8
DZL4757	48.45	51	53.55	5	95	1500	0.25	5	38.8
DZL4758	53.20	56	58.80	4.5	110	2000	0.25	5	42.6
DZL4759	58.90	62	65.10	4	125	2000	0.25	5	47.1
DZL4760	64.60	68	71.40	3.7	150	2000	0.25	5	51.7
DZL4761	71.25	75	78.75	3.3	175	2000	0.25	5	56.0
DZL4762	77.90	82	86.10	3	200	3000	0.25	5	62.2
DZL4763	86.45	91	95.55	2.8	250	3000	0.25	5	69.2
DZL4764	95.00	100	105.00	2.5	350	3000	0.25	5	76.0

PACKAGE	SPQ/PCS	CARTON SPQ/PCS	CARTON SIZE/CM	CARTON GW/KG	CARTON NW/KG
SOD-123FL	3000/REEL	90000	40X20X22	5.00	4.00

X-ON Electronics

Largest Supplier of Electrical and Electronic Components

Click to view similar products for [Zener Diodes](#) category:

Click to view products by [LGE](#) manufacturer:

Other Similar products are found below :

[MMSZ5245BS-7-F](#) [RKZ13B2KG#P1](#) [RKZ5.6B2KJ#R1](#) [EDZTE6113B](#) [EDZTE6116B](#) [EDZTE616.8B](#) [1N747A](#) [1N966B](#) [NTE5116A](#)
[NTE5121A](#) [NTE5139A](#) [NTE5147A](#) [NTE5152A](#) [NTE5156A](#) [NTE5164A](#) [JANS1N4974US](#) [SMAJ4764A-TP](#) [RKZ5.1BKU#P6](#)
[3SMAJ5946B-TP](#) [3SMAJ5950B-TP](#) [3SMBJ5920B-TP](#) [3SMBJ5925B-TP](#) [TDZTR24](#) [441774C](#) [MMSZ4678-TP](#) [BZG04-36](#) [BZG05C9V1-](#)
[HE3-TR](#) [HZM30NBTR-E](#) [UDZTE-175.1B](#) [3SMAJ5945B-TP](#) [3SMAJ5947B-TP](#) [3SMBJ5941B-TP](#) [DL4746A-TP](#) [RKZ18B2KK#R1](#)
[RKZ10B2KL#R1](#) [RKZ6.8B2KL#R1](#) [RKZ8.2B2KL#R1](#) [DZ2S240M0L](#) [SMAZ27-TP](#) [SMBZ5920B-E3/52](#) [ZMM3.0](#) [RD16UM-T1-A](#) [RD39S-](#)
[T1-A](#) [RD9.1S-T1-A](#) [RD10S-T1-A](#) [RD20S-T1-A](#) [RD2.2S-T1-A](#) [RD2.7UM-T1-A](#) [HZM24NB1TL-E](#) [HZM2.7NB2TL-E](#)