

RoHS Compliant
Directive 2011/65/EU

SPECIFICATION

Customer: _____

Item:	Crystal Unit
Type:	NX3225SA
Nominal Frequency:	26 MHz
Customer's Spec. No.:	---
NDK Spec. No.:	W-168-491-1

Receipt

Charge:

Sales	Sales Dept. T. Takeuchi	Tel. 81-03-5453-6783	Approved	Y. Sakunma
Engineer	1 ST Eng. Dept. Y. Takaki	Tel. 81-04-2900-6631	Checked	I. Miyahara
			Drawn	Y. Takaki

Revision Record

Rev.	Rev. Date	Items	Contents	Remarks
---	15. Oct. 2012	Issue	---	---

1. Customer specifications number : ---
2. NDK specification number : W-168-491-1
3. Type : NX2520SA
4. Electrical characteristics
- 4.1. Nominal Frequency (F_0) : 26 MHz
- 4.2. Overtone Order : Fundamental
- 4.3. Adjustment Tolerance : $\pm 10 \times 10^{-6}$ Max. (at + 25 °C)
- 4.4. Frequency stability over temperature : $\pm 10 \times 10^{-6}$ Max. (at - 20 to + 85 °C)
The reference temp. shall be +25 °C
- 4.5. Equivalent Resistance (R_R) : 50 Ω Max.
- 4.6. Shunt Capacitance (C_0) : 1.22 pF $\pm 10\%$ (Grounded)
- 4.7. Motional Capacitance (C_1) : 4.92 fF $\pm 15\%$ (Grounded)
- 4.8. Drive Level : 100uW max.
- 4.9. Insulation Resistance : Terminal to terminal insulation resistance also terminal to cover insulation resistance must be 500M Ω (Min.) when DC100V ± 15 V is applied.
5. Measurement circuit
- 5.1. Frequency measurement
- Measuring Instrument : π -network
 - Load Capacitance (C_L) : 7.36 pF
 - Level of Drive : 10 μ W
- 5.2. Equivalent resistance measurement
- Measuring Instrument : π -network
 - Load Capacitance (C_L) : Series
 - Level of Drive : 10 μ W
6. Other performances
- 6.1. Air-tightness : Less than 1.1×10^{-9} Pa m³/s (Helium leak detector)
- 6.2. Operating Temperature range : - 20 to +85 °C
- 6.3. Storage Temperature range : - 40 to +85 °C
7. Examination results document
Since a performance is guaranteed, an examination results document does not submit.
8. Application drawing
- 8.1. Dimension Drawing : EXD14B-00370
- 8.2. Taping and Reel figure : EXK17B-00247
- 8.3. Holder Marking : EXH11B-00489
- 8.4. Reliability assurance Item : EXS30B-00250

9. Notice

- 9.1. Order items are manufactured according to specification. As to conditions, which are not indicated in this specification and unpredictable such as applied condition and oscillation margin, please check them beforehand.
- 9.2. Unless we receive request for modification within 3 weeks from the issue date of this NDK specification sheet, we will supply products according to this specification. Also, if you'd like to modify specification of order, which has been placed with delivery request within 3 weeks from the issue data of this specification sheet, we would like to discuss with you separately.
- 9.3. In no event shall the company be liable for any product failure resulting from an inappropriate handling or operation of the product beyond the scope of its guarantee.
- 9.4. Where any change to the process condition is made due to the change(s) in the production line, inform personnel of the specifications.
- 9.5. Should this specification data give rise to any disputes relating to any intellectual property rights or any other rights of a third person, the company shall not indemnify anyone for any damage. Their disclosure must not be construed as the grant of a license to use any of the intellectual property rights owned by the company.
- 9.6. If you intend to use products listed on this specification for applications that may result in loss of life or assets (controls relating to safety, medical equipment, aeronautical equipment, space equipment, etc.), please do not fail to advise us of your intention beforehand.
- 9.7. In the company's production process whatever amount of ozone depleting substances (ODS) as specified in the Montreal protocol is not used.
- 9.8. Information contained in this specification must not be quoted, reproduced or used for other purposes including processing either in part or in full without obtaining prior approval from the company.

10. Prohibited items

Be sure to use the product under the following conditions. Otherwise, the characteristics deterioration or destruction of the product may result.

(1) Reflow soldering heat resistance

Peak temperature: 265°C, 10 sec

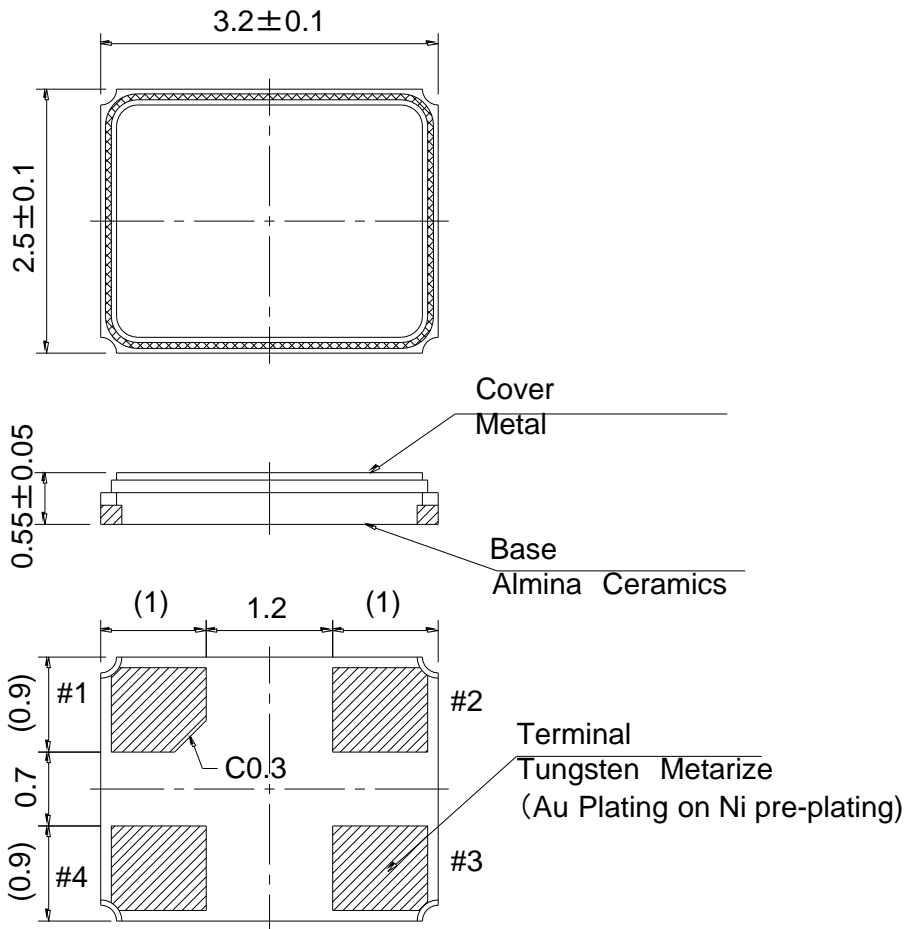
Heating: 230°C or higher, 40 sec

Preheating: 150°C to 180°C, 120 sec

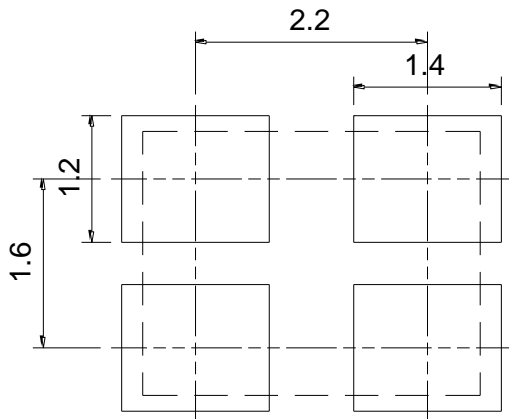
Reflow passage times: Three

(2) Manual soldering heat resistance

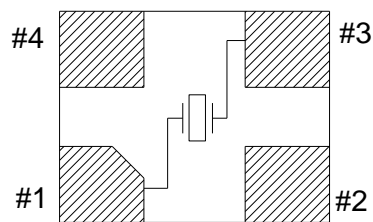
Pressing a soldering iron of 400°C on the terminal electrode for four seconds (twice).



LAND PATTERN (TYPICAL)



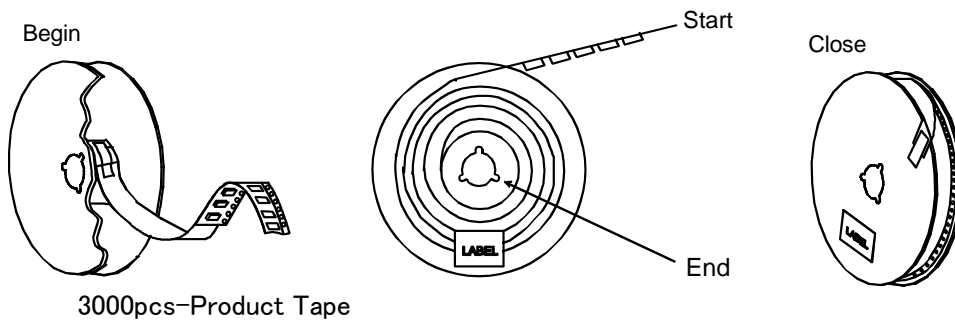
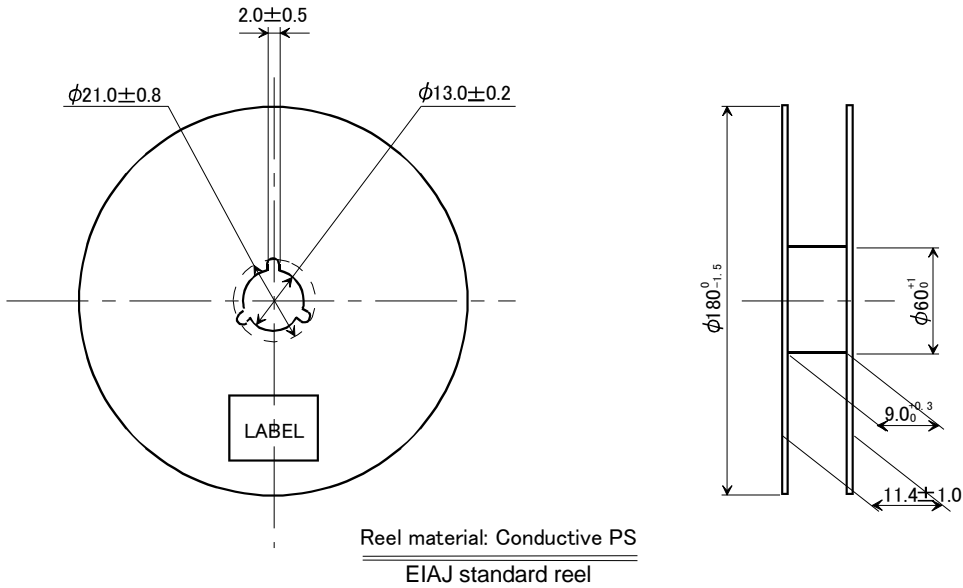
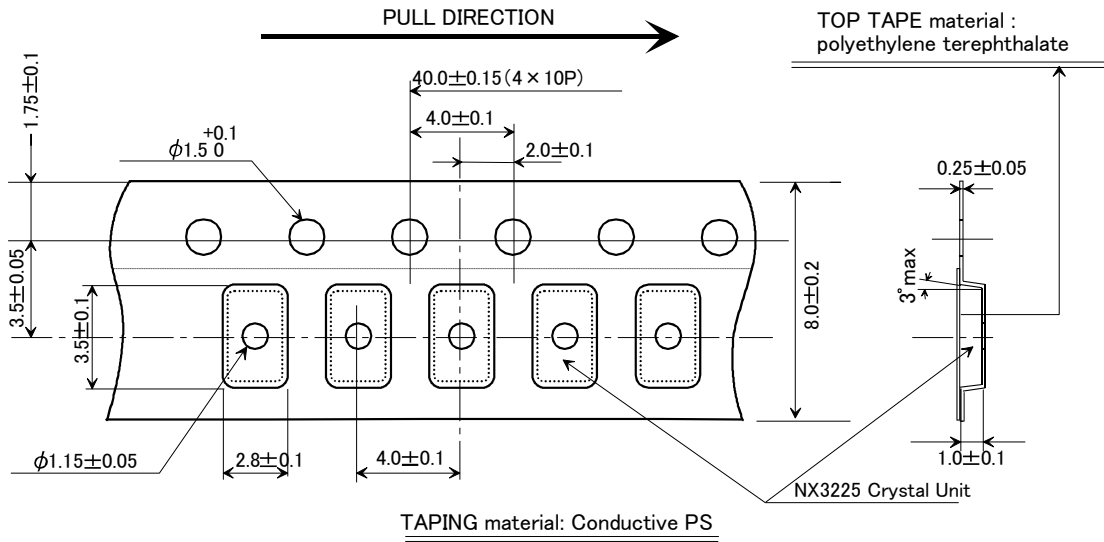
PIN CONNECTION (TOP VIEW)



※ #1,#3 : Xtal
#2,#4 : GND (CONNECTION COVER)

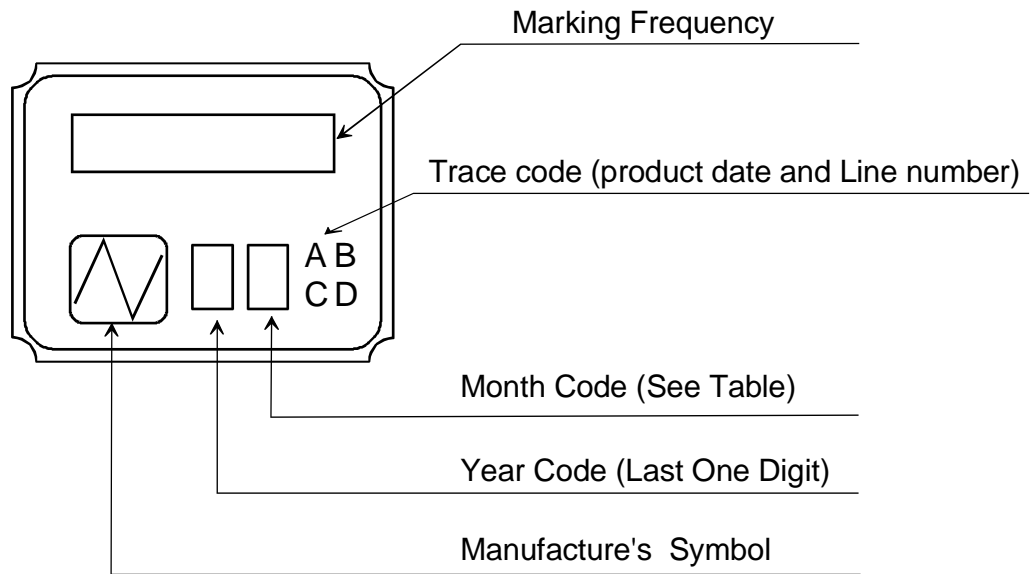
	Date of Revise	Charge	Approved	Reason	
A	4.Sep.2007	R.Shariman	K.Kubota	Add Tolerance.	
	Date	Name	Third Angle Projection	Tolerance	Scale
Drawn	25.Oct.2005	S.Mizusawa	Dimension:mm	±0.1	- / -
Designed	25.Oct.2005	S.Mizusawa	Title	Drawing No.	Rev.
Checked					
Approved	25.Oct.2005	S.Mizusawa			
			NX3225SA Dimension Drawing	EXD14B-00370	A

NIHON DEMPA KOGYO CO., LTD.



Date of Revise	Charge	Approved	Reason
A			
Date	Name	Third Angle Projection	Tolerance
30.Jun.2006	H.Yagishita	Dimension:mm	---
30.Jun.2006	H.Yagishita	Title NX3225 Series Taping and Reel Spec.	Drawing No. EXK17B-00247
30.Jun.2006	K.Kubota		
30.Jun.2006	T.Ishii		
		Scale - / -	
		Rev.	

NIHON DEMPA KOGYO CO., LTD.



NOTE

1. Frequency Code

Marking Frequency is consist of five digits, first five digits of Nominal Frequency

Example

Nominal Frequency	28.636363 MHz
Frequency Code	28.636

2. Month Code Table

Month	1 Jan.	2 Feb.	3 Mar.	4 Apr.	5 May.	6 Jun.	7 Jul.	8 Aug.	9 Sep.	10 Oct.	11 Nov.	12 Dec.
Month Code	1	2	3	4	5	6	7	8	9	X	Y	Z

*Marking digits are not include a decimal point and dot mark.

	Date of Revise	Charge	Approved	Reason	
	Date	Name	Third Angle Projection	Tolerance	Scale
Drawn	29.Jun.2012	H.Ouchi	Dimension:mm		/
Designed	29.Jun.2012	H.Ouchi	Title	Drawing No.	Rev.
Checked	---	---	Crystal Holder Marking	EXH11B-00489	
Approved	29.Jun.2012	M.Kubota			

NIHON DEMPA KOGYO CO., LTD.

Reliability assurance item

(page: 1/1)

No.	Test Item	Test Methods	Specification Code
1	High Temperature Storage	+85±3°C 720h	A
2	Low Temperature Storage	-40±3°C 500h	A
3	Temperature Humidity	+85±3°C 80~85%RH 500h	A
4	Temperature Cycling	-40±3°C / +85±3°C It is 1000 cycles using 30 minutes each as 1 cycle.	A
5	Vibration	Frequency Range : 10~2000Hz Amplitude or Acceleration : 1.52mm or 196m/s ² 1 cycle : 20 minutes Test time : Three mutually perpendicular axes each 4 hours.	A
6	Shock	Devices are shocked to half sine wave (29418m/s ² , 0.3msec) six mutually perpendicular axis each 1 times.	A
7	Drop	Preparation : Test pieces should be fixed on the dummy load with 200g weight. Condition : Height 1.5m onto concrete Drop times : 10 times in 6 mutually perpendicular axes	A
8	Solderability	Pre-heat temperature : +150±10°C Pre-heat time : 60~120s When the temperature of the specimen is reached at +215±3°C, it shall be left for 30±1sec. Peak temperature 240±5°C Material: Pb-free (Sn-3.0Ag-0.5Cu) Flux : Rosin resin methyl alcohol solvent (1 : 4)	B
9	Reflow resistance	Pre-heat temperature : +150~180°C Pre-heat time : 90±30s Heat temperature : more than +230°C Pre-heat time : less than 30s Peak temperature : +260±5°C Peak time : less than 10s	A

Specification code	Specification
A	$\Delta f/f \leq \pm 3$ ppm $\Delta Cl/Cl \leq \pm 15$ % or 5 Ω make use larger value
B	The electrodes should be covered by a new solder at least 90% of immersed area.

X-ON Electronics

Largest Supplier of Electrical and Electronic Components

Click to view similar products for [Crystals category](#):

Click to view products by [Nihon Dempa Kogyo manufacturer](#):

Other Similar products are found below :

[CS325S24000000ABJT](#) [718-13.2-1](#) [MC405 32.0000K-R3:PURE SN](#) [FC-135R 32.7680KF-A3](#) [7A-40.000MAAE-T](#) [7B-27.000MBBK-T](#)
[FL2000085](#) [9B-15.360MBBK-B](#) [9C-7.680MBBK-T](#) [ASH7K-32.768KHZ](#) [AT-41.600MAGQ-T](#) [BTD1062E05A-513](#) [LFX TAL066198Cutt](#)
[9C-14.31818MBBK-T](#) [FA-238 50.0000MB30X-K3](#) [FC-12M 32.7680KA-AC3](#) [SSPT7F-9PF20-R](#) [FX325BS-38.88EEM1201](#)
[LFX TAL065253Cutt](#) [LFX TAL066431Cutt](#) [XT9S20ANA14M7456](#) [XT9SNLANA16M](#) [646G-24-2](#) [7A-24.576MBBK-T](#) [7B-30.000MBBK-T](#)
[WX26-32.768K-6PF](#) [9B-14.31818MBBK-B](#) [CD1AM](#) [7B-25.000MAAE-T](#) [7A-14.31818MBBK-T](#) [6504-202-1501](#) [6526-202-1501](#) [FA-118T](#)
[27.1200MB50P-K0](#) [FC-135R 32.7680KA-A3](#) [ABM12-104-37.400MHZT](#) [ABLS-10.000MHZ-D3W-T](#) [BTJ112E01E-513](#) [BTJ722K01C-7067](#)
[BTL-20-513](#) [TSX-3225 24.0000MF15X-AC](#) [TSX-3225 16.0000MF18X-AC](#) [BTJ120E02C](#) [BTL-12-513](#) [7A-10.000MBBK-T](#) [7A-](#)
[11.0592MBBK-T](#) [ABM12-103-24.000MHZT](#) [CS325S25000000ABJT](#) [ABM3B-25.000MHZ-B2-X-T](#) [FC-135 32.7680KA-A5](#) [FX0800015](#)