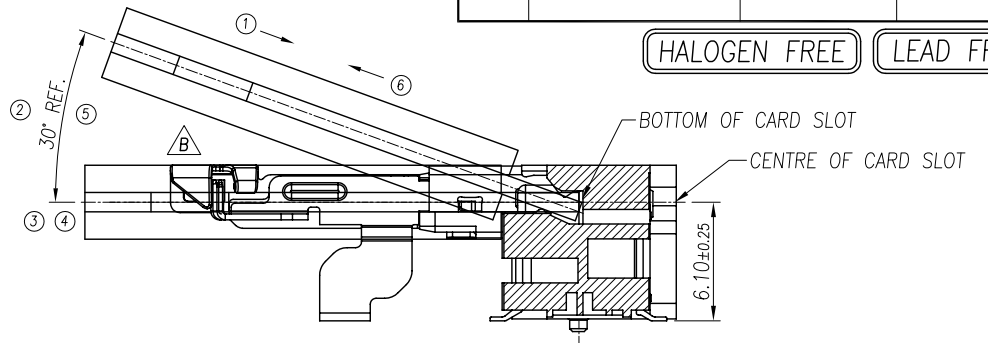


REV.	MODIFICATION	DATE	DRAW
A	INITIAL RELEASE	2012.03.22	Coco
B	ECN-2013014 ECN-2013021	2013.09.25	Coco

**HALOGEN FREE** **LEAD FREE**



MATING:  
 MATING: ① INSERTING(30°) → ② ROTATING → ③ FIXED  
 UNMATING: ④ UNFIXED → ⑤ ROTATING → ⑥ WITHDRAWING

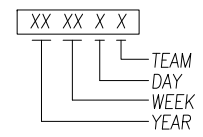
MATING/UNMATING VIEW  
 SCALE 2:1

- NOTES
- MATERIAL  
 HOUSING: THERMOPLASTIC UL94V-0 COLOR BLACK  
 CONTACT: COPPER ALLOY, T=0.15mm.  
 LATCH: SUS, T=0.30mm.  
 PEG: SUS, T=0.30mm.
  - FINISH  
 CONTACT: GOLD PLATING ON CONTACT AREA AND  
 1~3u" GOLD PLATING ON SOLDER AREA  
 50~150u" NICKEL UNDER-PLATING OVER ALL  
 PEG: 80~150u" MATTE TIN PLATING OVER ALL  
 50~150u" NICKEL UNDER-PLATING OVER ALL
  - MSL LEVEL:  
 MSL( MOISTURE SENSIVITY LEVEL)=1.
  - PART NO. : DS2SK-204XX-XX8D

PLATING CONTACT  
 01 : GOLD FLASH  
 05 : GOLD 5u"Min.  
 10 : GOLD 10u"Min.

PACKING  
 TR: TRAY  
 TP: TAPE REEL

**LINKTEK**



DIMENSION IN mm [Inch]		PROD. SPEC.
TOLERANCE UNLESS OTHERWISE SPECIFIED		SP-DSXXXL1
		PKG. SPEC.
		PK-DSXXX-001
.X±0.35	X.*±1°	APR. Tony 2013.09.25
.XX±0.25	.X.*±	CHK. Leon 2013.09.25
.XXX±	.XX.*±	DRA. Coco 2013.09.25

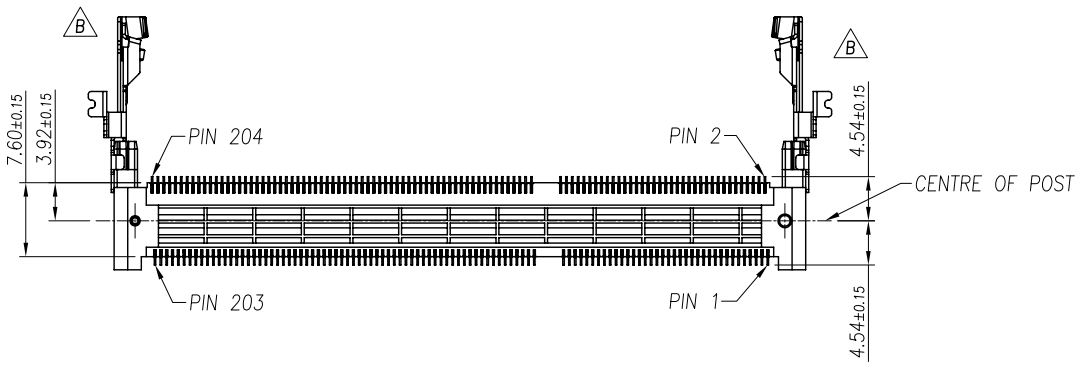
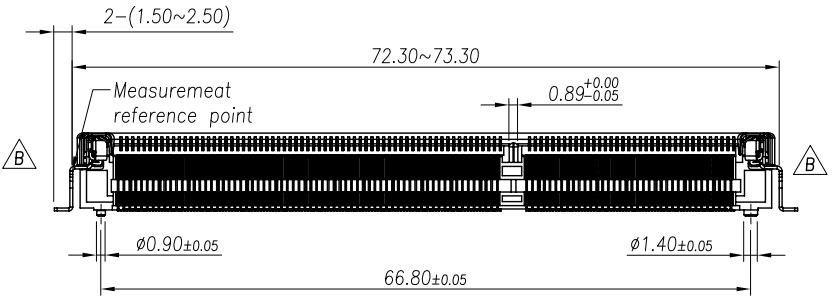
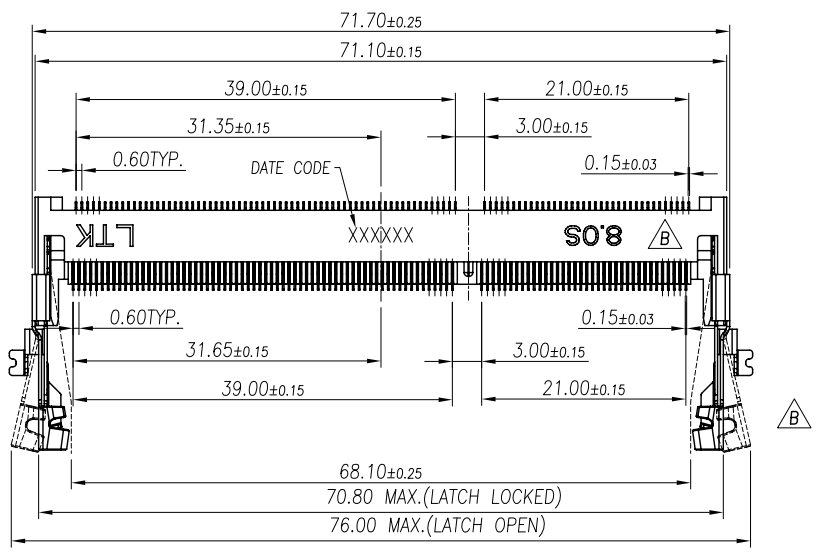
**ARGOSY RESEARCH INC.**

TITLE: DDR III 8.0H STD CONNECTOR

FILE NO. ARG-136 DWG NO. DS2SK-204XX-XX8D

PROJ. CUSTOMER DRAWING

SIZE A4 SCALE 1:1 SHEET 1/3 REV. B C

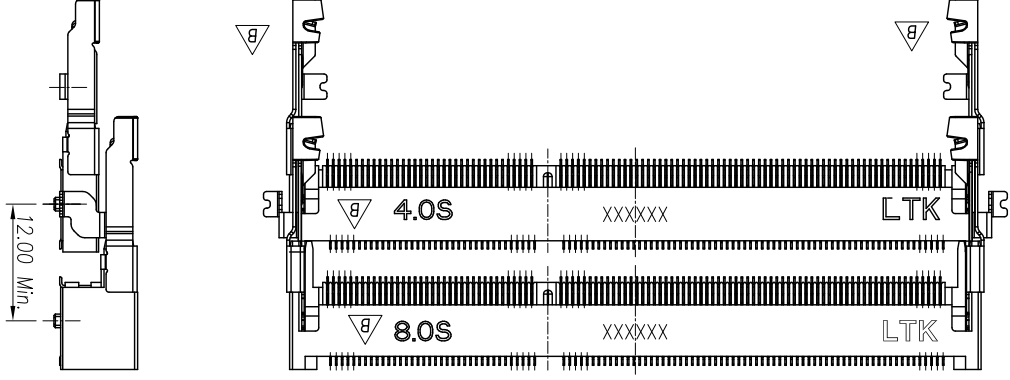
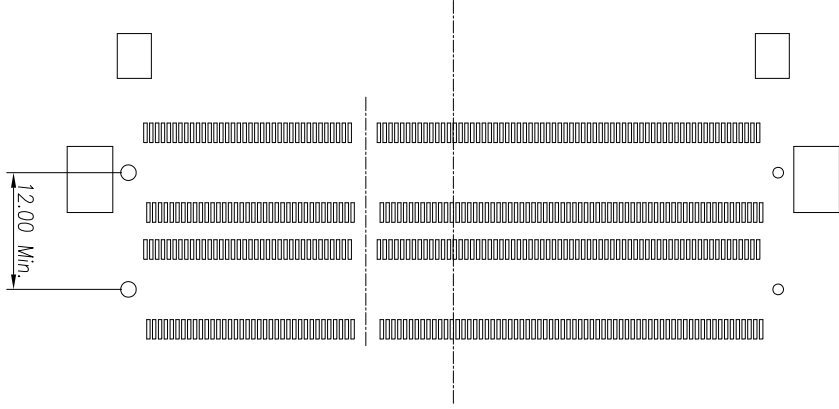




REV.	MODIFICATION	DATE	DRAW
A	INITIAL RELEASE	2012.03.22	Coco
B	ECN-2013014 ECN-2013021	2013.09.25	Coco

HALOGEN FREE

LEAD FREE



PROJ.		SCALE 1:1	SHEET 3	REV. B	C
FILE NO. ARG-136		TITLE: DDR III 8.0H STD CONNECTOR			
DWG NO. DS2SK-204XX-XX8D		CUSTOMER DRAWING			
PROD. SPEC.	SP-DSXXXL1	TOLERANCE UNLESS OTHERWISE SPECIFIED		PKG. SPEC. PK-DSXXX-001	
APR. Tony	2013.09.25	X ± 1%		X ± 0.35	
CHK. Leon	2013.09.25	X ±		X ± 0.25	
DRA. Coco	2013.09.25	X ±		X ±	

LINKTEK

## X-ON Electronics

Largest Supplier of Electrical and Electronic Components

*Click to view similar products for [Standard Card Edge Connectors](#) category:*

*Click to view products by [Argosy](#) manufacturer:*

Other Similar products are found below :

[6565204-6](#) [PKC-156](#) [1437274-4](#) [147889-1](#) [1489165-4](#) [EBT15622B2X](#) [EBT156-22R2W](#) [1-582587-1](#) [1-582589-1](#) [2-6437275-9](#) [284-0102-12100](#) [306022901000000](#) [307-012-502-202](#) [307-024-526-201](#) [307-056-520-300](#) [307-080-526-208](#) [245-062-520-350](#) [287-0032-12101](#) [306-010-500-112](#) [306-028-525-102](#) [306-240-318](#) [307-036-502-202](#) [307-036-521-301](#) [307-072-526-202](#) [345-060-559-303](#) [368-004-520-201](#) [392-008-559-201](#) [534671-1](#) [5-530501-5](#) [341-240-317](#) [345-029-520-300](#) [345-030-500-301](#) [345-044-500-300](#) [345-220-058](#) [346-240-318](#) [357-030-526-201](#) [387-012-523-300](#) [395-044-520-300](#) [395-100-524-300](#) [50-12B-10](#) [50-6SN-5](#) [09-07-2032](#) [10035388-106LF](#) [10035388-802LF](#) [10122859-009LF](#) [101269333204245CLF](#) [10127905-B04B24BLF](#) [530555-1](#) [EBT156-15A2X](#) [5145409-2](#)