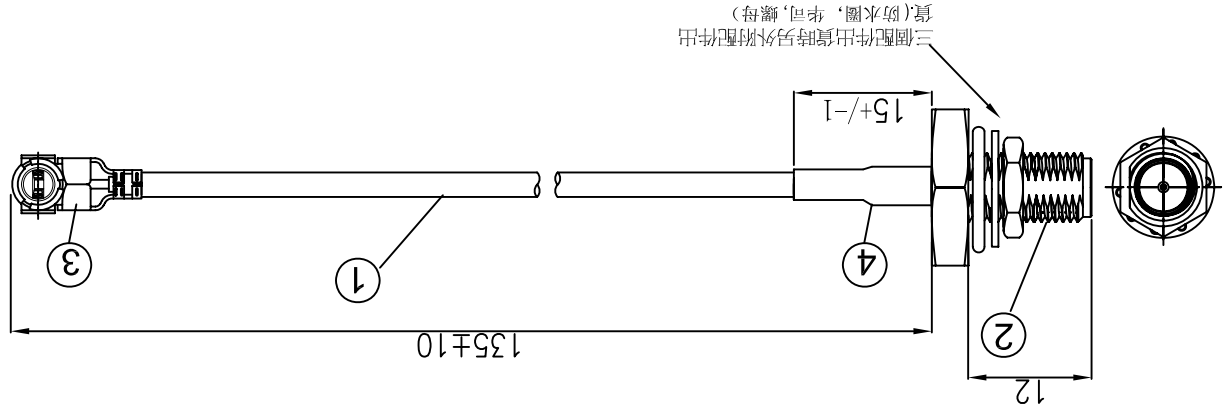


- NOTES:
- ELECTRICAL:
 - VOLTAGE RATING:DCV 300V 10MS
 - CONDUCTANCE RESISTANCE: 3.0 OHM/MAX.
 - INSULATION RESISTANCE: 5.0M OHM/MIN.
 - THE CABLE SHOULD BE 100% ELECTRICAL TEST
 - IT SHOULD BE NO ANY OPEN/SHORT, MISWIRING AND INTERMITTENT FAILURES
 - MATERIAL:
 - SEE TABLE
 - ALL COMPONENTS ARE ROHS COMPLIANT.



ITEM NO.	PART NUMBER	DESCRIPTION	QTY.
④	套管	黑色热缩套管, OD:2.0MM	AS
③	端子	高仿I-PEX, 1.13端子, 镀金	1
②	接头	SMA防水接头公针, 分体, 12牙, 镀金	1
①	同轴线	RF 1.13灰色线, OD:1.13mm	AS

金航标电子有限公司

ALL DIMENSION ARE IN MM	DRAWN	Jamy	DATE	2018/09/24
COMPUTER GENERATED IN SOLIDWORKS	ENG.			
DO NOT SCALE THIS DRAWING	Q.A.			
PROJECTION	GENERAL TOLERANCE FOR ANGLES X.X X.XX X.XXX	± 1° ± 0.3 ± 0.25 ± 0.150	SCALE: Free	TYPE
CUSTOMER P/N:				

REV	NUMBER	DESCRIPTION	DWN	CHK	DATE
A		DESIGN			

X-ON Electronics

Largest Supplier of Electrical and Electronic Components

Click to view similar products for [Cable Assemblies](#) category:

Click to view products by [Kinghelm](#) manufacturer:

Other Similar products are found below :

[S087020002](#) [XC-IPX-SMA-15](#) [XF-F40A02-B0080](#) [CCB07011-5](#) [KH-IPEX-SMAKWE-B80H](#) [KH-IPEX-SMAKWE-B120H](#) [KH-IPEX-SMAKWE-B150H](#) [KH-IPEX-SMAKWE-B180H](#) [KH-IPEX-SMAKWE-Q50H](#) [KH-IPEX-SMAKWE-Q80H](#) [KH-IPEX-SMAKWE-Q100H](#) [KH-IPEX-SMAKWE-Q120H](#) [KH-IPEX-SMAKWE-Q150H](#) [KH-IPEX-SMAKWE-Q180H](#) [FCA08002-A03P211BK2020000](#) [FCA08003-A03P213BK2020000](#) [FCA08004-A03P213BK2020000](#) [FCA08001-A04P211BK2020000](#) [FCA08002-A04P211BK2020000](#) [FCA08003-A04P213BK2020000](#) [FCA08004-A04P213BK2020000](#) [FCA12001-A03P111BK2020000](#) [FCA12002-A03P211BK2020000](#) [FCA12003-A03P112BK2020000](#) [FCA12004-A03P212BK2020000](#) [FCA12001-A04P111BK2020000](#) [FCA12002-A04P211BK2020000](#) [FCA12003-A04P112BK2020000](#) [FCA12004-A04P212BK2020000](#) [FCA12002-A05P211BK2020000](#) [FCA12003-A05P112BK2020000](#) [FCA12004-A05P212BK2020000](#) [CKMBZP00022-1](#) [S002020078](#) [AMC5E51305](#) [AMC657305](#) [AMCAT5E0830](#) [ECC96171EU](#) [XC-IPX-SMA](#) [CU0065](#) [J6C10](#) [S100920007](#) [S087020014](#) [S087020006](#) [S143820001](#) [CKMTWBZP010](#) [XC-IPX-SMA-6](#) [XC-HJ-SMA-15](#) [CKMBZP00022-2](#) [CKMBZP00022-3](#)