

Switching Diodes

1N4148WS

■ Features

- Fast Switching Speed
- For General Purpose Switching Applications.
- High Conductance
- Surface Mount Package Ideally Suited for Automatic Insertion

■ Absolute Maximum Ratings $T_a = 25^\circ\text{C}$

Parameter	Symbol	Rating	Unit
Reverse Voltage	V_{RM}	100	V
Peak Repetitive Peak Reverse Voltage	V_{RRM}	100	
Working Peak Reverse Voltage	V_{RWM}		
DC Blocking Voltage	V_R		
RMS Reverse Voltage	$V_{R(RMS)}$	71	mA
Average Rectified Output Current	I_o	150	
Forward Continuous Current	I_{FM}	300	
Peak Forward Surge Current @ $t=1\mu\text{s}$	I_{FSM}	2	A
@ $t=1\text{s}$		1	
Power Dissipation	P_d	500	mW
Thermal Resistance Junction to Ambient	$R_{\theta JA}$	250	$^\circ\text{C}/\text{W}$
Junction Temperature	T_J	150	$^\circ\text{C}$
Storage Temperature range	T_{stg}	-55 to 150	

■ Electrical Characteristics $T_a = 25^\circ\text{C}$

Parameter	Symbol	Test Conditions	Min	Typ	Max	Unit
Reverse breakdown voltage	V_R	$I_R = 100\mu\text{A}$	100			V
Forward voltage	V_{F1}	$I_F = 1\text{mA}$			0.715	
	V_{F2}	$I_F = 10\text{mA}$			0.855	
	V_{F3}	$I_F = 50\text{mA}$			1	
	V_{F4}	$I_F = 150\text{mA}$			1.25	
Reverse voltage leakage current	I_{R1}	$V_R = 75\text{V}$			1	μA
	I_{R2}	$V_R = 20\text{V}$			25	nA
Junction capacitance	C_j	$V_R = 0\text{V}, f = 1\text{MHz}$			2	pF
Reverse recovery time	t_{rr}	$I_F = I_R = 10\text{mA}, I_{rr} = 0.1 \times I_R, R_L = 100\Omega$			4	ns

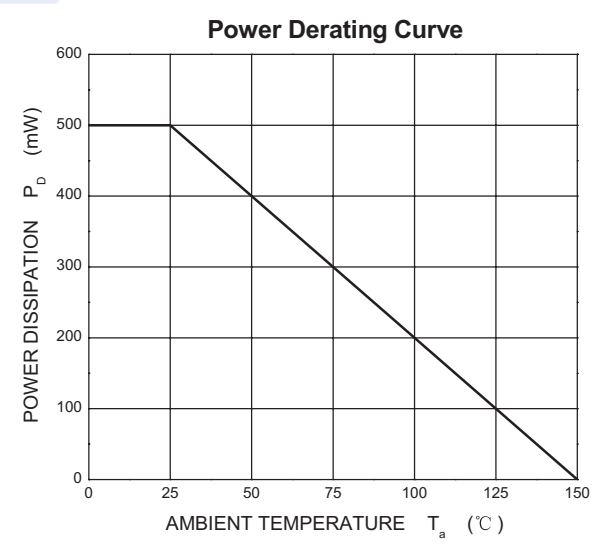
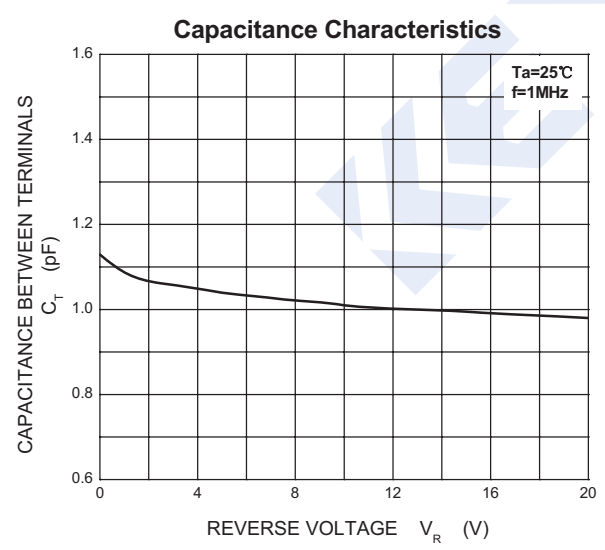
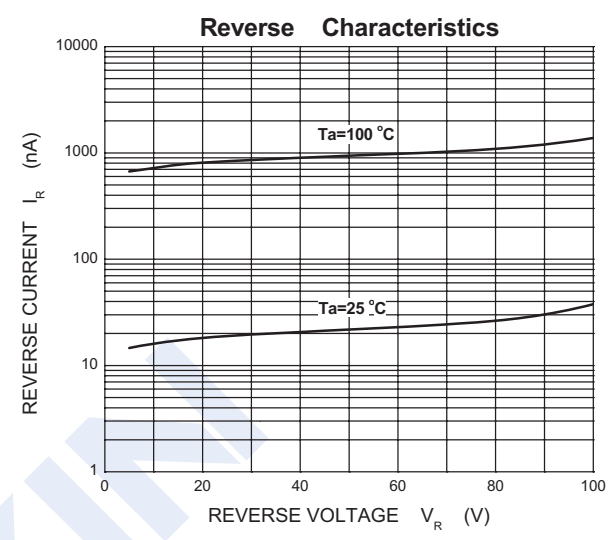
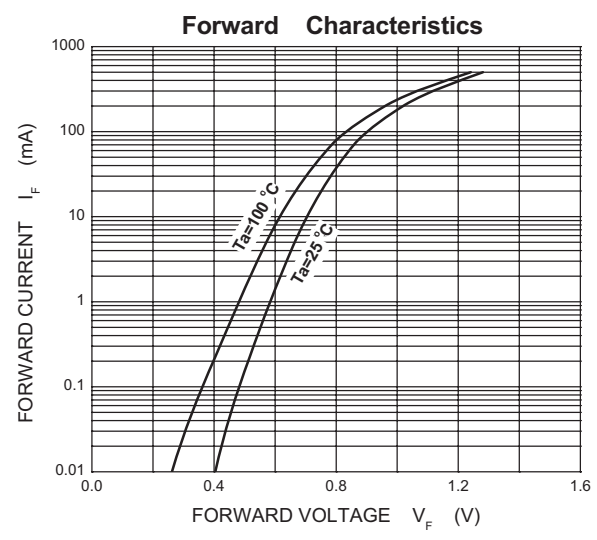
■ Marking

Marking	A
---------	---

Switching Diodes

1N4148WS

Typical Characteristics



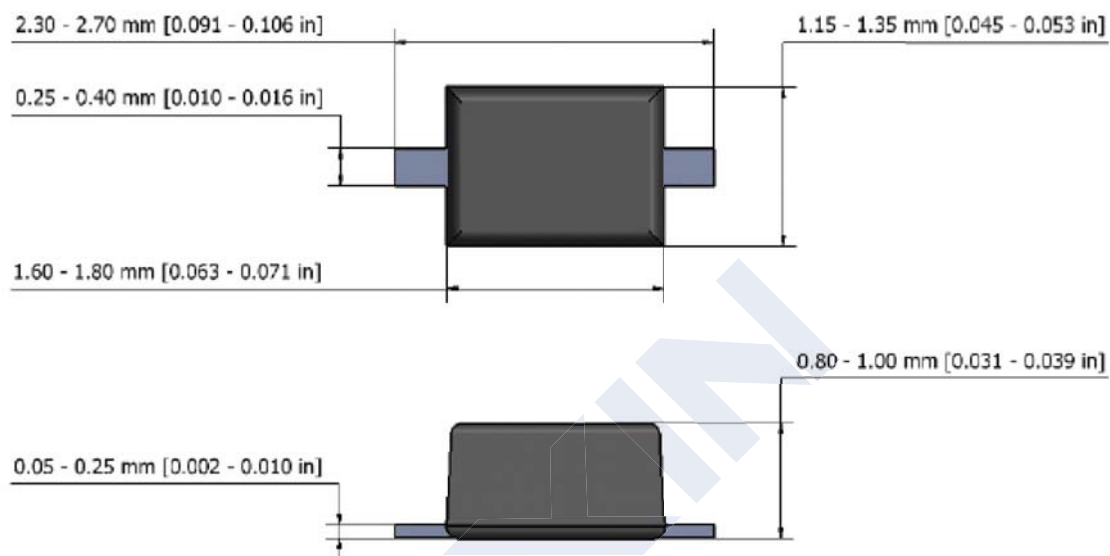
Switching Diodes

1N4148WS

■ Package Outline Dimensions

Plastic surface mounted package; 2 leads

SOD-323F

**Note:**

- 1.The above package outline is similar to JEITA SC-90.
- 2.Dimensions are exclusive of Burrs, Mold Flash & Tie Bar extrusions.

X-ON Electronics

Largest Supplier of Electrical and Electronic Components

Click to view similar products for [Diodes - General Purpose, Power, Switching category](#):

Click to view products by [KEXIN manufacturer](#):

Other Similar products are found below :

[053684A](#) [057245E](#) [10A06-TP](#) [10A10](#) [10A10](#) [10A10](#) [10A10G](#) [10A2](#) [10A4](#) [150K20A](#) [150K60A](#) [150K80A](#) [150KR80A](#) [1A1](#) [1A2](#) [1A3](#) [1A4](#)
[1A4](#) [1A5](#) [1A6](#) [1A7](#) [1A7](#) [1A7](#) [1A7](#) [1A7A](#) [1G7](#) [1N3064TR](#) [1N3070](#) [1N3070TR](#) [1N3295A](#) [1N3295AR](#) [1N3296A](#) [1N3493R-SGS](#) [1N3595](#)
[1N3595TR](#) [1N3595US](#) [1N3600](#) [1N3600 TR](#) [1N4001](#) [1N4001](#) [1N4001](#) [1N4001](#) [1N4001](#) [1N4001](#) [1N4001](#) [1N4001](#) [1N4001A](#) [1N4001G](#) [1N4001G](#)
[1N4001-T](#) [1N4001W](#)