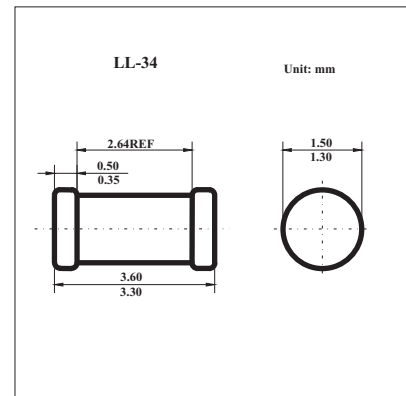


## Fast Switching Surface Mount Diodes

## KLL4148



#### ■ Features

- Fast Switching Speed
- Surface Mount Package Ideally Suited for Automatic Insertion
- General Purpose Rectification
- Silicon Epitaxial Planar Construction

#### ■ Absolute Maximum Ratings $T_a = 25^\circ\text{C}$

Parameter	Symbol	Rating	Unit
Non-Repetitive Peak Reverse Voltage	$V_{RM}$	100	V
Peak Repetitive Reverse Voltage	$V_{RRM}$	75	V
Working Peak Reverse Voltage	$V_{RWM}$		
DC Blocking Voltage	$V_R$	53	V
RMS Reverse Voltage	$V_{R(RMS)}$		
Forward Continuous Current (*)	$I_{FM}$	300	mA
Average Rectified Output Current (*)	$I_o$	150	mA
Non-Repetitive Peak Forward Surge Current @ $t = 1.0 \mu\text{s}$ @ $t = 1.0\text{s}$	$I_{FSM}$	2.0	A
		1.0	
Power Dissipation (*) Derate Above $25^\circ\text{C}$	$P_D$	500	mW
		1.68	mW/ $^\circ\text{C}$
Thermal Resistance Junction to Ambient Air (*)	$R_{\theta JA}$	300	K/W
Operating and Storage Temperature Range	$T_j, T_{STG}$	-65 to +175	$^\circ\text{C}$

\* Valid provided that device terminals are kept at ambient temperature.

#### ■ Electrical Characteristics $T_a = 25^\circ\text{C}$

Parameter	Symbol	Testconditions	Min	Typ	Max	Unit
Maximum Forward Voltage	$V_{FM}$	$I_F = 10\text{mA}$			1.0	V
Maximum Peak Reverse Current	$I_{RM}$	$V_R = 75\text{V}$			5.0	$\mu\text{A}$
		$V_R = 70\text{V}, T_j = 150^\circ\text{C}$			50	
		$V_R = 20\text{V}, T_j = 150^\circ\text{C}$			30	
		$V_R = 20\text{V}$			25	nA
Capacitance	$C_j$	$V_R = 0, f = 1.0\text{MHz}$			4.0	pF
Reverse Recovery Time	$t_{rr}$	$I_F = 10\text{mA}$ to $I_R = 1.0\text{mA}$ , $V_R = 6.0\text{V}, R_L = 100\Omega$			4.0	ns

## X-ON Electronics

Largest Supplier of Electrical and Electronic Components

*Click to view similar products for [Diodes - General Purpose, Power, Switching category](#):*

*Click to view products by [KEXIN manufacturer](#):*

Other Similar products are found below :

[MCL4151-TR3](#) [MMBD3004S-13-F](#) [RD0306T-H](#) [RD0506LS-SB-1H](#) [RGP30G-E373](#) [DSE010-TR-E](#) [BAQ333-TR](#) [BAQ335-TR](#) [BAQ33-GS18](#) [BAS1602VH6327XT](#) [BAV17-TR](#) [BAV19-TR](#) [BAV301-TR](#) [BAW27-TAP](#) [HSC285TRF-E](#) [NSVBAV23CLT1G](#) [NTE525](#) [1SS181-TP](#) [1SS184-TP](#) [1SS193,LF](#) [1SS193-TP](#) [1SS400CST2RA](#) [SBAV99LT3G](#) [SDAA13](#) [LL4448-GS18](#) [SHN2D02FUTW1T1G](#) [LS4150GS18](#) [LS4151GS08](#) [SMMD7000LT3G](#) [FC903-TR-E](#) [1N4449](#) [1N4934-E3/73](#) [1SS226-TP](#) [APT100DL60HJ](#) [RFUH20TB3S](#) [RGP30G-E354](#) [RGP30M-E3/73](#) [D291S45T](#) [MCL4151-TR](#) [BAS 16-02V H6327](#) [BAS 21U E6327](#) [BAS 28 E6327](#) [BAS33-TAP](#) [BAS 70-02V H6327](#) [BAV300-TR](#) [BAV303-TR3](#) [BAW27-TR](#) [BAW56DWQ-7-F](#) [BAW56M3T5G](#) [BAW75-TAP](#)