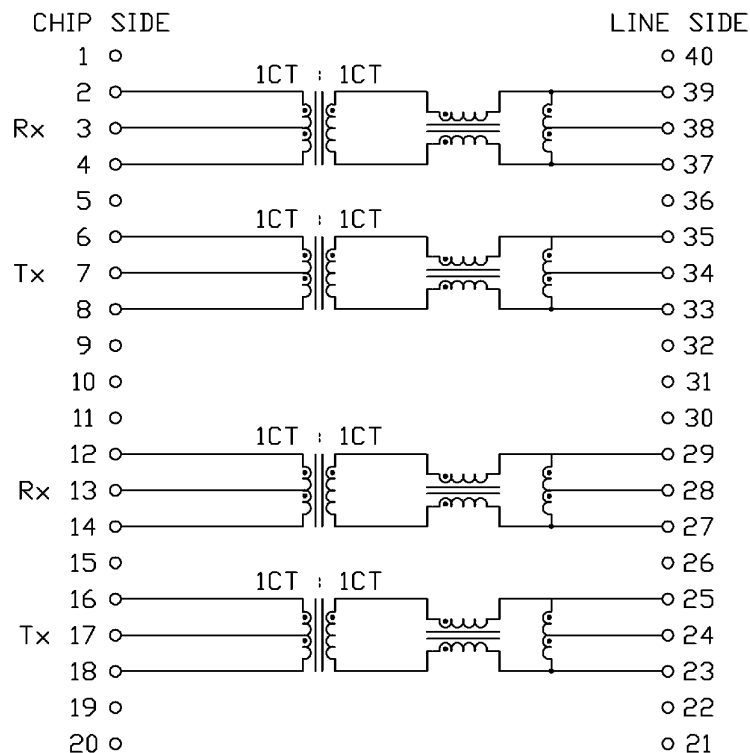


THE INFORMATION CONTAINED HEREIN IS CONSIDERED "PROPRIETARY" TO BEL FUSE INC. AND SHALL NOT BE COPIED, REPRODUCED OR DISCLOSED WITHOUT THE WRITTEN APPROVAL OF BEL FUSE INC.



ELECTRICAL CHARACTERISTICS @ 25°C

SCHEMATIC



| | |
|--------------------------|--|
| URNS RATIO | 1CT : 1CT |
| DCL | 350 μ H MIN. @ 100kHz, 100mV WITH 8mA DC BIAS |
| LEAKAGE INDUCTANCE (LL) | 0.35 μ H MAX. @1MHz, 20mV |
| INTERWINDING CAP (Cw/w) | 25 pF MAX. @1MHz, 20mV |
| DC RESISTANCE | |
| LINE SIDE | 1.0 Ω MAX. |
| CHIP SIDE | 1.4 Ω MAX. |
| INSERTION LOSS | 1.5dB MAX. @100kHz TO 100MHz |
| RETURN LOSS | |
| MEASURED UNDER | 16dB MIN. @2MHz TO 30MHz |
| 100 Ω ENVIRONMENT | 10dB MIN. @60MHz TO 80MHz |
| HIPOT | PER HAND-WORK-03 |
| OPERATING TEMPERATURE | -40°C TO 85°C |

| | | | | | | | |
|---------------------|------------------|---|--|-------------------------------|------------------------------|---|-----------|
| ORIGINATED BY HQ | DATE 02-13-07 | TITLE ELECTRICAL SPECIFICATION S558-5999-AF-F | PART NO. / DRAWING NO. X5585999AF-F | STANDARD DIM. TOL. IN INCH | [] METRIC DIM. AS REFERENCE | COMPONENTS FOR A CONNECTED PLANET | |
| DRAWN BY DQ Chen | DATE 02-13-07 | | FILE NAME X5585999AFFA.DWG | .X | UNIT : INCH [mm] | | REV. : A |
| | | | | .XX | SCALE : N/A | | SIZE : A4 |
| | | | | .XXX | | PAGE : 2 | |

DC002(2)032305

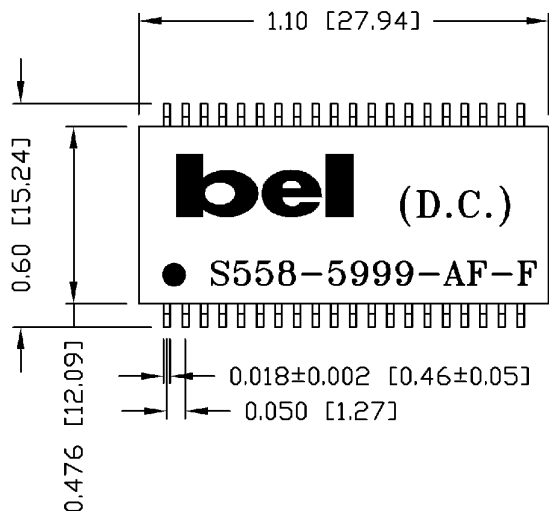
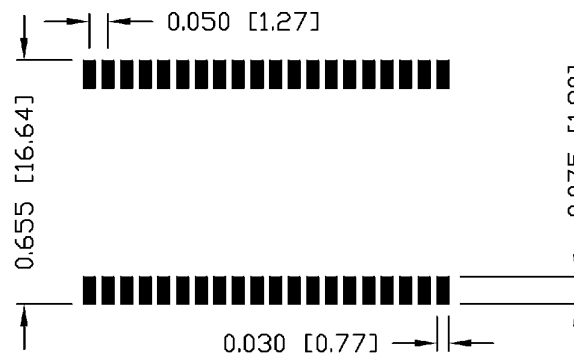
This document is electronically generated. This is a controlled copy if used internally

THE INFORMATION CONTAINED HEREIN IS CONSIDERED "PROPRIETARY" TO BEL FUSE INC. AND SHALL NOT BE COPIED, REPRODUCED OR DISCLOSED WITHOUT THE WRITTEN APPROVAL OF BEL FUSE INC.

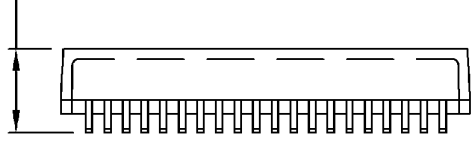
RoHS
2002/95/EC



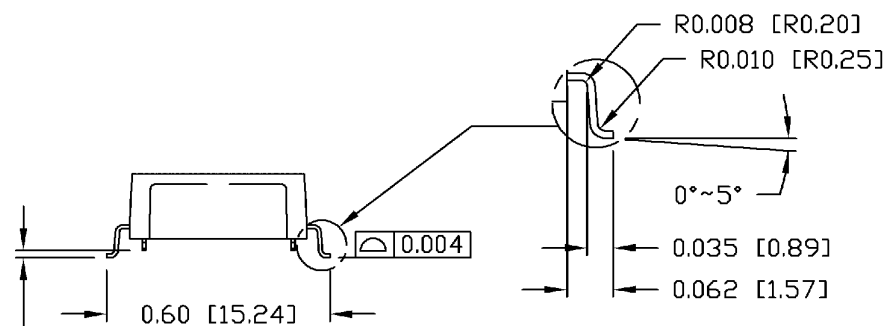
SUGGESTED PCB PAD LAYOUT



0.226±0.010 [5.74±0.25]



0.010 [0.25]
MIN.



NOTES:

1. STANDARD MARKING REFER TO DOC. HAND-WORK-04.
2. PACKAGE CODE: "RRS001".

| | | | | | | |
|---------------------------|------------------|---|--|--------------------------------|---------------------------------|---|
| ORIGINATED BY Lawrence | DATE 02-13-07 | TITLE MECHANICAL OUTLINE S558-5999-AF-F | PART NO. / DRAWING NO. X5585999AF-F | STANDARD DIM. TOL. IN INCH | [] METRIC DIM. AS REFERENCE | COMPONENTS FOR A CONNECTED PLANET |
| DRAWN BY DQ Chen | DATE 02-13-07 | | FILE NAME X5585999AFFA.DWG | .X .XX ±0.01 .XXX ±0.005 | UNIT : INCH [mm] SCALE : N/A | |

DC002(2)032305

This document is electronically generated. This is a controlled copy if used internally

X-ON Electronics

Largest Supplier of Electrical and Electronic Components

Click to view similar products for [Audio Transformers / Signal Transformers](#) category:

Click to view products by [Bel Fuse](#) manufacturer:

Other Similar products are found below :

[749023020](#) [CU4S0506AT-2655-H1](#) [MET-58](#) [PE-64961](#) [H5008FNL](#) [H5020FNLT](#) [H5079NLT](#) [1879479-1](#) [1879564-1](#) [PA1277NLT](#)
[PA1528ANL](#) [PA2007NLT](#) [FL1066](#) [T1137NLT](#) [T3012NL](#) [PE-65812FNL](#) [TTC-100](#) [TTC-143-H](#) [TTC-5032-1](#) [HX1234NLT](#) [HX5008FNLT](#)
[100B-1001XNL](#) [PA1282NLT](#) [HX5084FNL](#) [T1108NLT](#) [2-1879391-5](#) [TTC-266-2](#) [3-1879385-4](#) [PA1032NL](#) [H2009FNLT](#) [PA0801NLT](#)
[TTC-266](#) [X-1619](#) [SM51295PEL](#) [T5008NLT](#) [PE-68517T](#) [HX1294NLT](#) [HX5084FNLT](#) [H5015FNLT](#) [H6080NLT](#) [CX2024NL](#) [HX1294FNLT](#)
[TX1473NLT](#) [PE-69011NLT](#) [CX2047LNLT](#) [CX2043LNLT](#) [DCT20EFD-U32S003](#) [H5120NLT](#) [H7137FNLT](#) [H1259NLT](#)