

NOTES:

1. MATERIALS:  
HOUSING: LIQUID CRYSTAL POLYMER (LCP), UL94V-0, BLACK  
TERMINALS: COPPER ALLOY
2. FINISH:  
CONTACT AREA: 30μ INCH MINIMUM GOLD OVER NICKEL  
COMPLIANT AREA: TIN (LEAD-FREE) OVER NICKEL
3. PRODUCT SPECIFICATION: PS-172374-999
4. PACKAGING SPECIFICATION: PK-172700-9001
5. MATES WITH STANDARD BP 76155.
6. APPLICATION SPECIFICATION: AS-76060-9997
7. COSMETIC SPECIFICATION" PS-45499-002.
8. ROUTING GUIDE AS-172374-0001
9. MARKINGS: LOCATED APPROXIMATELY AS SHOWN  
PART NUMBER & DATE CODE
10. ALIGNMENT RIBS USED FOR GUIDANCE INTO THE MATING HEADER  
AND THE LOCATIONS WILL CHANGE WITH NUMBER OF COLUMNS.
11. WHEN USING MOLEX SUPPLIED #2-32 SCREW 73726-0000 (9.50MM±0.38  
THREADABLE SCREW LENGTH), THE MAXIMUM BOARD THICKNESS IS 4.4MM.

8 COLUMN CONNECTOR SHOWN  
FOR REFERENCE ONLY

THIS DRAWING CONTAINS INFORMATION THAT IS PROPRIETARY TO MOLEX ELECTRONIC TECHNOLOGIES, LLC AND SHOULD NOT BE USED WITHOUT WRITTEN PERMISSION

RELEASED FOR PRODUCTION EC NO: 112590 DRWN: JLONG CHKD: APPR: TELO	2017/01/18	2017/01/20	GENERAL TOLERANCES (UNLESS SPECIFIED)		DIMENSION UNITS	SCALE				
			ANGULAR TOL ± 0.5 °		MM	2:1				
			4 PLACES ±	3 PLACES ±		DRWN BY	DATE	IMPACT ZX2 4 PAIR ORTHO DAUGHTERCARD RIGHT GUIDE SIGNAL MODULE SALES DRAWING		
			2 PLACES ± 0.13	1 PLACE ± 0.25		CHK'D BY	DATE			
		0 PLACES ±	DRAFT WHERE APPLICABLE MUST REMAIN WITHIN DIMENSIONS		APPR BY	DATE	PRODUCT CUSTOMER DRAWING			
				DRAWING SIZE		THIRD ANGLE PROJECTION	SERIES	MATERIAL NUMBER	CUSTOMER	
				B			172700	SEE CHART	GENERAL MARKET	
							DOCUMENT NUMBER	DOC TYPE	DOC PART	SHEET NUMBER
							SD-172700-0003	PSD	000	1 OF 4

PART NUMBER	# OF COLUMNS	# OF DIFF PAIRS	DIM A MAX	DIM B	PTH $\phi$
172700-5038	8	32	24.30	14.18	0.36 $\pm$ 0.05


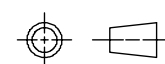
# PART NUMBER LOGIC

172700- \* 0 \* \*

MODULE TYPE:  
5 = GUIDED RIGHT

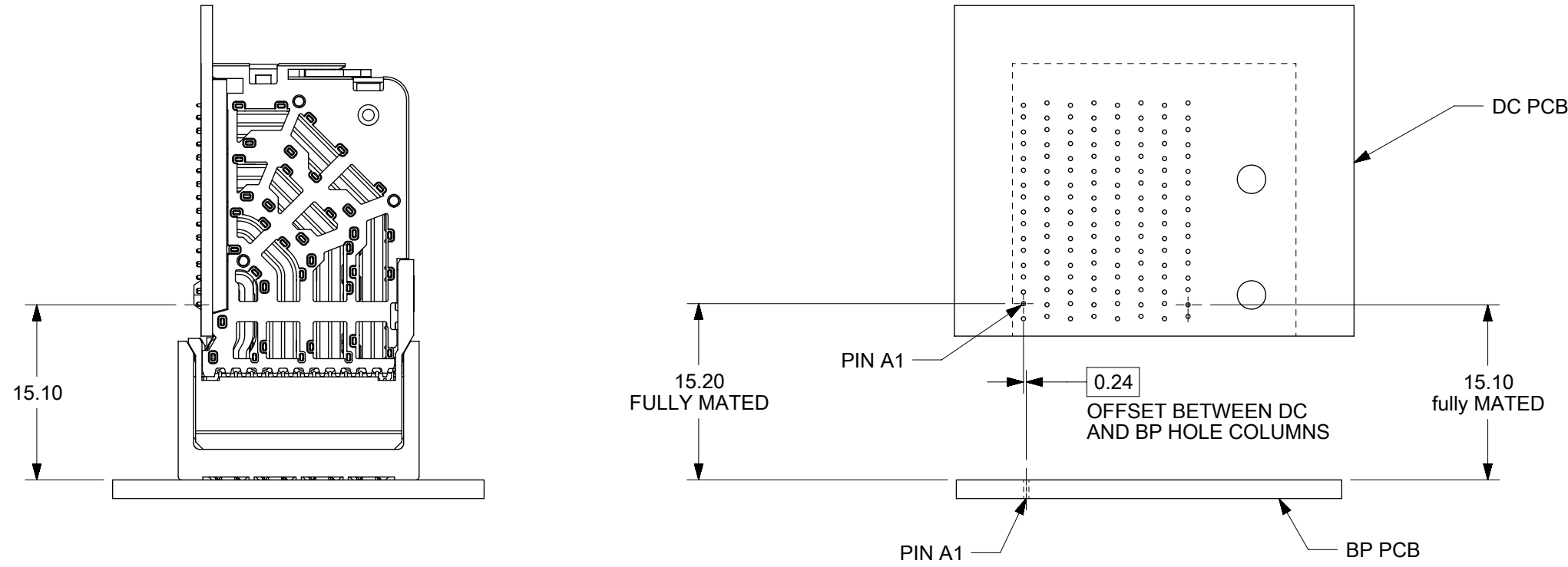
# OF COLUMNS:  
38 = 8 COLUMN, 0.36 PTH

THIS DRAWING CONTAINS INFORMATION THAT IS PROPRIETARY TO MOLEX ELECTRONIC TECHNOLOGIES, LLC AND SHOULD NOT BE USED WITHOUT WRITTEN PERMISSION

SEE SHEET 1 EC NO: 112590 DRWN: JLONG CHKD: APPR: TELO	2017/01/18	GENERAL TOLERANCES (UNLESS SPECIFIED) ANGULAR TOL $\pm$ 0.5 ° 4 PLACES $\pm$ 3 PLACES $\pm$ 2 PLACES $\pm$ 0.13 1 PLACE $\pm$ 0.25 0 PLACES $\pm$ DRAFT WHERE APPLICABLE MUST REMAIN WITHIN DIMENSIONS	DIMENSION UNITS	SCALE	
	2017/01/20		MM		
			DRWN BY	DATE	
			JLONG	2014/09/05	
			CHK'D BY	DATE	
			JLONG	2014/09/05	PRODUCT CUSTOMER DRAWING
	APPR BY	DATE	SERIES	MATERIAL NUMBER	CUSTOMER
	JLONG	2014/09/05	172700	SEE CHART	GENERAL MARKET
	DRAWING SIZE	THIRD ANGLE PROJECTION	DOCUMENT NUMBER		
	B		SD-172700-0003		DOC TYPE
			PSD		DOC PART
			000		SHEET NUMBER
					2 OF 4



# IMPACT ZX2 4 PAIR BOARD RELATIONSHIP (DATAPLANE BP 76845 SHOWN)



NOTES:  
1. SEE DESIGN GUIDE FOR ADDITIONAL MATING COMBINATIONS.

THIS DRAWING CONTAINS INFORMATION THAT IS PROPRIETARY TO MOLEX ELECTRONIC TECHNOLOGIES, LLC AND SHOULD NOT BE USED WITHOUT WRITTEN PERMISSION

EC NO: 112590 DRWN: JLONG CHKD: APPR: TELO	2017/01/18 2017/01/20	GENERAL TOLERANCES (UNLESS SPECIFIED)		DIMENSION UNITS <b>MM</b>	SCALE 2:1				
	ANGULAR TOL ± 0.5 °		DRWN BY JLONG	DATE 2014/09/05		IMPACT ZX2 4 PAIR ORTHO DAUGHTERCARD RIGHT GUIDE SIGNAL MODULE SALES DRAWING			
	4 PLACES ±	3 PLACES ±	CHK'D BY JLONG	DATE 2014/09/05					
	2 PLACES ± 0.13	1 PLACE ± 0.25	APPR BY JLONG	DATE 2014/09/05		PRODUCT CUSTOMER DRAWING			
0 PLACES ±	DRAFT WHERE APPLICABLE MUST REMAIN WITHIN DIMENSIONS	DRAWING SIZE <b>B</b>	THIRD ANGLE PROJECTION 		SERIES 172700	MATERIAL NUMBER SEE CHART	CUSTOMER GENERAL MARKET		
<b>A</b>	REV				DOCUMENT NUMBER SD-172700-0003		DOC TYPE PSD	DOC PART 000	SHEET NUMBER 4 OF 4

## X-ON Electronics

Largest Supplier of Electrical and Electronic Components

*Click to view similar products for [High Speed/Modular Connectors](#) category:*

*Click to view products by [Molex](#) manufacturer:*

Other Similar products are found below :

[2332816-1](#) [89006-1137LF](#) [650827-1](#) [65762-001LF](#) [73474-201LF](#) [74040-1346](#) [74075-0267](#) [9514M0C20D](#) [1410191-1](#) [1410337-1](#) [1410368-3](#)  
[1410964-2](#) [1410326-3](#) [1410367-3](#) [1410971-4](#) [1467833-1](#) [2000877-1](#) [2000878-1](#) [2041314-1](#) [2065387-1](#) [2187307-1](#) [2187462-1](#) [KA81-07](#)  
[91290-101LF](#) [163P](#) [1934290-1](#) [2000875-1](#) [2065917-1](#) [2102736-2](#) [FSR-40](#) [2169868-2](#) [2226279-2](#) [22354-8](#) [437-5040-000](#) [5-1393565-0](#)  
[532449-3](#) [532803-2](#) [34745-0001](#) [0740618502](#) [0761651124](#) [0761655108](#) [0761659807](#) [0761551627](#) [0761551638](#) [0761659608](#) [0761705038](#)  
[0784461022](#) [1-1393708-5](#) [73774-1000](#) [532939-1](#)