

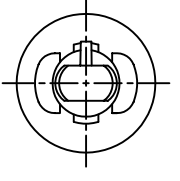
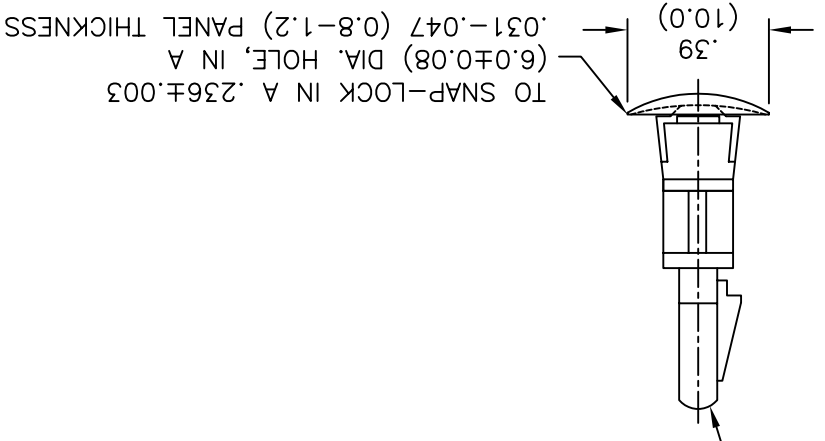
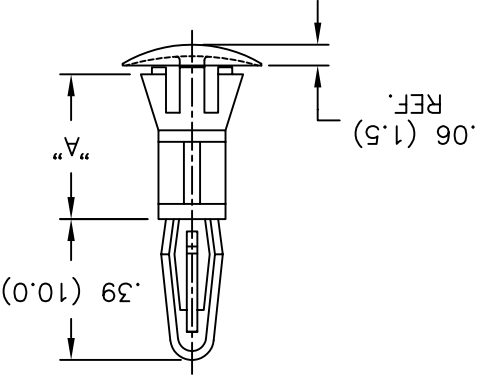
REV	DESCRIPTION	ENGR DATE
A	COMPLETE REDRAW, 40 WAS .39, .06 WAS .07, RMS-01 WAS RMS-48	RT 03.10.94
B	CONVERTED TO ACAD; DIM "A" WAS .411	PB 07.29.94
C	DIMS IN CHASSIS THKNS PUT TO 3 PLACES	PB 11.23.94
D	DIM. TO S-L IN .24 (6.0) REDUCED; UL NOTES ADDED	PB 07.10.95
E	UPDATED NOTES AND CHANGED FILE NO.	SM 05.08.02
F	ADDED NOTE 2 (RMS-109) BY SPECIAL ORDER	SM 06.06.02

FILE #	CRLCBSR	DWN:	P.B.	APP:	
MAT'L:	SEE NOTES	DT:	07-29-94	DT:	
RE:	RICHCO, INC.	RICHCO INC. PO BOX 804238, CHICAGO, 60680 (773) 539-4060			
PRINT TYPE	CA	SEE TABLE			

TITLE: CUPPED REVERSE LOCKING CBS, ROUND HOLE

DWG IN (MM) FINAL

- NOTES:
1. MATERIAL: NYLON 6/6 (RMS-01).
FLAME RETARDANT, NYLON (RMS-19),
AVAILABLE BY SPECIAL ORDER ONLY.
TO ORDER, REPLACE "-01" WITH "-19"
 2. MATERIAL: NYLON 4/6, HEAT STABILIZED, (RMS-109)
AVAILABLE BY SPECIAL ORDER ONLY.
TO ORDER, REPLACE "-01" WITH "-109".
 3. COLOR: NATURAL.
BLACK, AVAILABLE BY SPECIAL ORDER ONLY.
TO ORDER, ADD "-B" TO PART NO.



TO SNAP-LOCK IN A .157±.003
(4.0±0.08) DIA. HOLE, IN A
.063 (1.6) NOMINAL THICK BOARD

TO SNAP-LOCK IN A .236±.003
(6.0±0.08) DIA. HOLE, IN A
.031-.047 (0.8-1.2) PANEL THICKNESS

PART NO.	
DIM. "A"	±.015(0.4)
CRLCBSR-3-01	3/16 (4.8)
CRLCBSR-4-01	1/4 (6.4)
CRLCBSR-5-01	5/16 (8.0)
CRLCBSR-6-01	3/8 (9.5)
CRLCBSR-8-01	1/2 (12.7)
CRLCBSR-12-01	3/4 (19.0)

X-ON Electronics

Largest Supplier of Electrical and Electronic Components

Click to view similar products for [Headers & Wire Housings](#) category:

Click to view products by [Richco](#) manufacturer:

Other Similar products are found below :

[95000-104TRLF](#) [10135584-644402LF](#) [DF62W-EP2022PCA](#) [95000-106TRLF](#) [DF62W-2022SCA](#) [DF62W-EP2022PC](#) [2203348](#) [DF62W-2022SC](#) [1084018](#) [1029039](#) [1084017](#) [802-10-012-10-002000](#) [1112640](#) [1112639](#) [000-34000](#) [0009482033](#) [0009507031](#) [57102-S06-03LF](#) [57202-S52-04LF](#) [PCN6-15S-2.5E](#) [0039019024](#) [58102-G61-06LF](#) [582553-1](#) [0009485154](#) [0009508121](#) [0022285053](#) [0050291907](#) [018731A](#) [LY20-4P-DT1-P1E-BR](#) [02.125.8002.8](#) [60101931](#) [60598-1 \(Cut Strip\)](#) [M1625-3R/100](#) [61062-3](#) [61082-181009](#) [636-1427](#) [638009-1](#) [641938-9](#) [641991-4](#) [644168-1](#) [647662-1](#) [65039-019ELF](#) [65781-018](#) [65781-047](#) [65817-002LF](#) [65817-015LF](#) [65863-015LF](#) [66207-023LF](#) [67016-026LF](#) [67046-001LF](#)