

1.  $\text{\textcircled{C}}$  REPRESENTS A CRITICAL DIMENSION.
2. MINIMUM PUSHOUT FORCE: .5LB (8 OZ).
3. ONE POSITION WILL BE LOST FOR EVERY CUT MADE ON A SOCKET STRIP.
4. TUBE PACKAGE POSITIONS 5-50 ONLY. POSITIONS 2-4 ARE TO BE PLACED IN ANTISTATIC BUBBLE BAGS P/N ASBBLT4X5.5.
5. SHEAR TAILS TO DIMENSIONS SHOWN.
6. NOTE DELETED.
7. ENDWALL AFTER CUTTING:  $.0185[0.470] \pm .0025[0.064]$ .
8. VOID CORES MAY NOT BE PRESENT.
9. HAND FILL USE C-106-01-XX.  
AUTOMATION USE C-106-22-XX. C-106-02-XX CAN BE SUBBED FOR C-106-22-XX.
- $\text{\textcircled{C}}$ 10. MAX CUT FLASH:  $.010[0.27]$  WITH NO FLASH ALLOWED IN HOLES OR EXTENDING BELOW LEADS.
- $\text{\textcircled{C}}$ 11. MAX BURR:  $.005[.13]$ .
12. ALL -PA OPTION PARTS SHIP IN EIA-960 TRAYS.
13. DOES NOT APPLY TO -BE END OPTION.

CLP-1XX-XX-XXX-D-XX

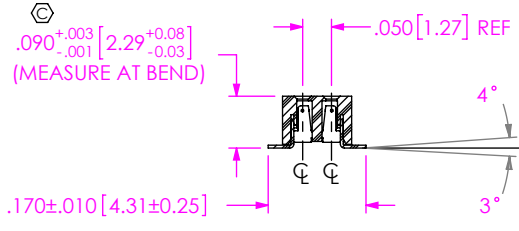
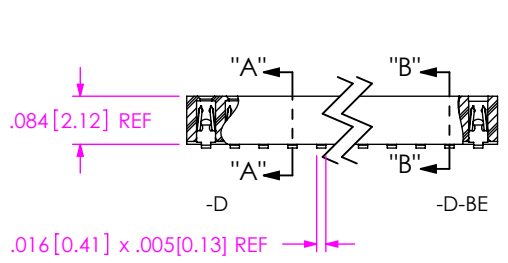
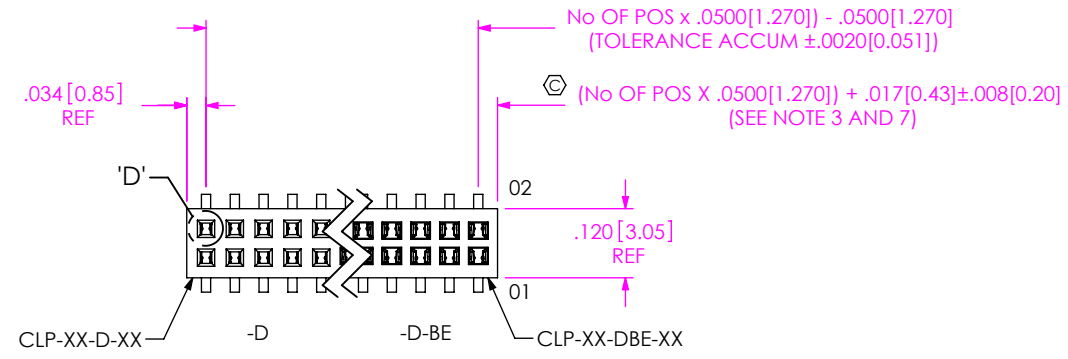
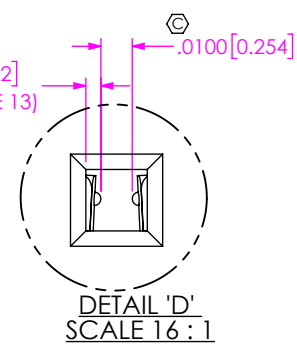
No OF POSITIONS PER ROW  
-02 THRU -50

LEAD STYLE SPEC  
-02: SURFACE MOUNT  
(USE C-106-X2-XXX)  
(SEE NOTE 9)

OPTION  
-P: PICK & PLACE PAD (USE LMP-01)  
(AVAILABLE ON POSITION -05 THRU -50 ONLY)  
(NOT AVAILABLE WITH -PA OR -K OPTIONS)  
(SEE FIG 3, SHT 2)  
-A: ALIGNMENT PIN (USE CLP-XX-D-XX)  
(NOT AVAILABLE WITH -PA OPTION)  
(SEE FIG 2, SHT 2)  
-TR: TAPE AND REEL  
-BE: BOTTOM ENTRY ONLY (USE CLP-XX-DBE-XX)  
-PA: PICK & PLACE PAD WITH ALIGNMENT PINS  
(NOT AVAILABLE WITH -P, -A, OR -K OPTIONS)  
(SEE SHT 2, TABLE 3) (SEE NOTE 12)  
-K: POLYIMIDE FILM PAD (AVAILABLE ON -05 THRU -50 POSITIONS. USE K-DOT-.157-.250-.005. (SEE FIG 5, SHT 2)  
(NOT AVAILABLE WITH -P OR -PA OPTIONS)

BODY SPEC  
-D: DOUBLE ROW  
(USE CLP-XX-D)

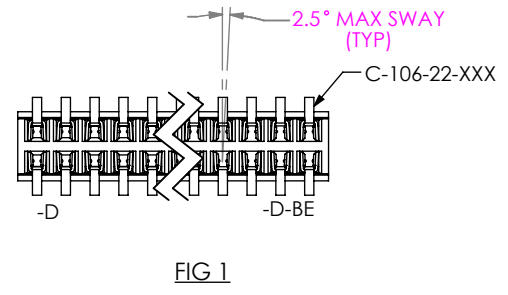
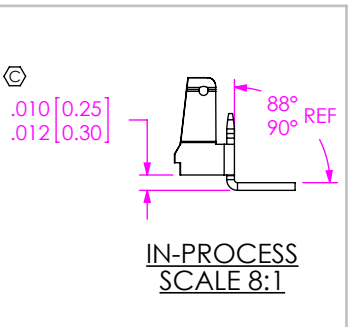
PLATING SPEC  
-F:  $3\mu$ " FLASH SELECTIVE GOLD IN CONTACT AREA  
MATTE TIN ON TAIL  
-L:  $10\mu$ " LIGHT SELECTIVE GOLD IN CONTACT AREA  
MATTE TIN ON TAIL  
-S:  $30\mu$ " SELECTIVE GOLD IN CONTACT AREA  
MATTE TIN ON TAIL  
-G:  $10\mu$ " GOLD IN CONTACT AREA  
 $3\mu$  ON TAIL  
-H:  $30\mu$ " HEAVY GOLD IN CONTACT AREA  
 $3\mu$ " ON TAIL  
-LM:  $10\mu$ " LIGHT SELECTIVE GOLD IN CONTACT AREA  
MATTE TIN ON TAIL  
-FM:  $3\mu$ " FLASH SELECTIVE GOLD IN CONTACT AREA  
MATTE TIN ON TAIL  
-SM:  $30\mu$ " SELECTIVE GOLD IN CONTACT AREA  
MATTE TIN ON TAIL  
-LTL:  $10\mu$ " LIGHT SELECTIVE GOLD IN CONTACT AREA  
TIN/LEAD (90/10+/-5%) TAIL



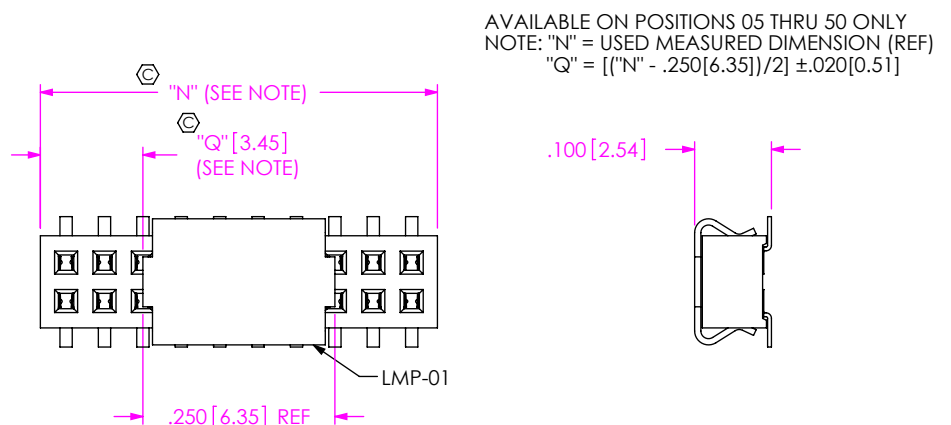
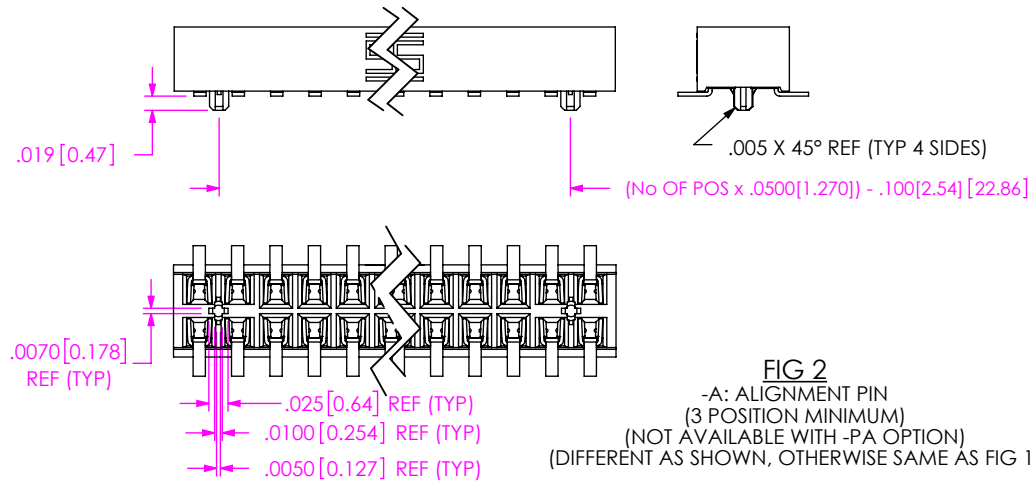
	.004 [0.10]	POS. 02-35
	.006 [0.15]	POS. 36-50

SECTION "B"-B"  
(-D-BE BODY: CLP-XX-DBE-XX)  
(DIFFERENT AS SHOWN,  
OTHERWISE SAME AS -D BODY)

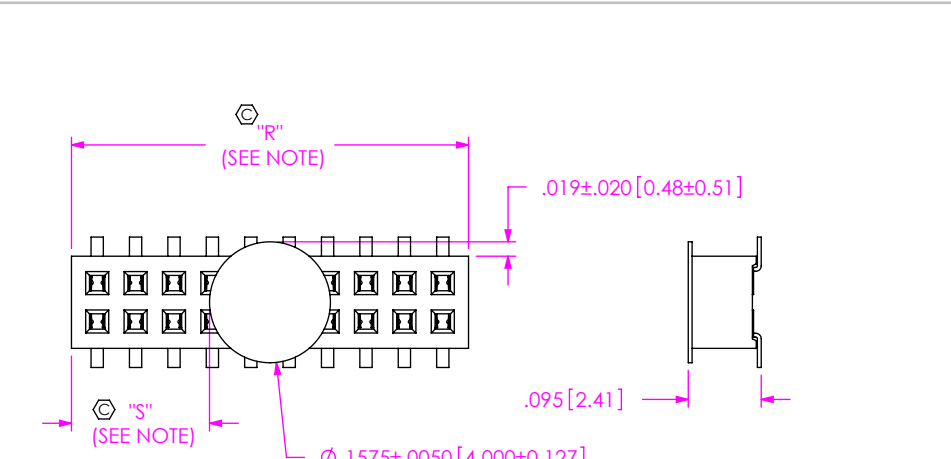
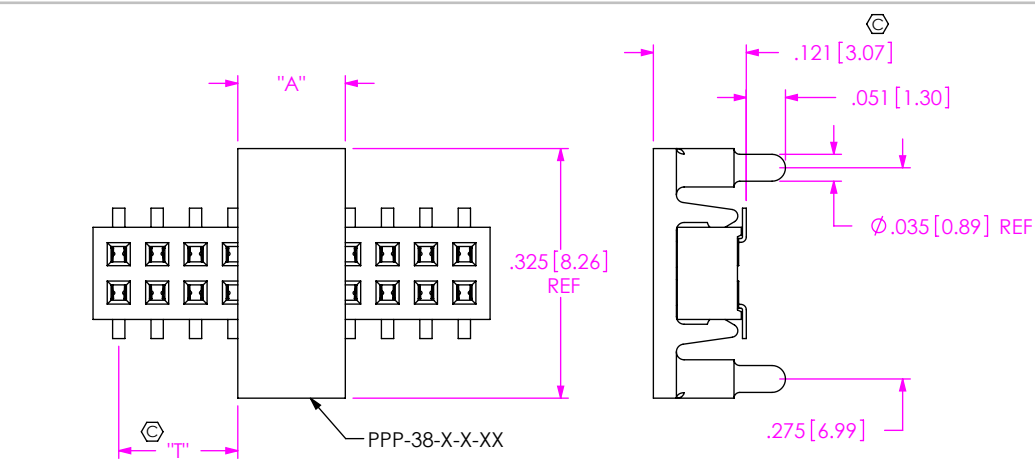
SECTION "A"-A"  
(-D BODY: CLP-XX-D-XX)



<p>UNLESS OTHERWISE SPECIFIED, DIMENSIONS ARE IN INCHES. TOLERANCES ARE:</p> <p>DECIMALS ANGLES</p> <p>.XX: <math>\pm .01</math> [.3] 2°</p> <p>.XXX: <math>\pm .005</math> [.13]</p> <p>.XXXX: <math>\pm .0020</math> [.051]</p>	<p>PROPRIETARY NOTE</p> <p>THIS DOCUMENT CONTAINS CONFIDENTIAL AND PROPRIETARY INFORMATION AND ALL DESIGN, MANUFACTURING, REPRODUCTION, USE, PATENT RIGHTS AND SALES RIGHTS ARE EXPRESSLY RESERVED BY SAMTEC, INC. THIS DOCUMENT SHALL NOT BE DISCLOSED, IN WHOLE OR PART, TO ANY UNAUTHORIZED PERSON OR ENTITY NOR REPRODUCED, TRANSFERRED OR INCORPORATED IN ANY OTHER PROJECT IN ANY MANNER WITHOUT THE EXPRESS WRITTEN CONSENT OF SAMTEC, INC.</p>	<p>520 PARK EAST BLVD, NEW ALBANY, IN 47150 PHONE: 812-944-6733 FAX: 812-948-5047 e-Mail: info@SAMTEC.com code 53322</p>



AVAILABLE ON POSITIONS 05 THRU 50 ONLY  
 NOTE: "N" = USED MEASURED DIMENSION (REF)  
 "Q" = [{"N"} - .250[6.35]]/2 ±.020[0.51]



NOTE: "R" = USED MEASURED DIMENSION (REF)  
 "S" = [{"R"} - .1575[4.000]]/2 ±.020[0.51]

TABLE 3				
POS/ROW	PIN COUNT	PAD	"A"	"T"
4-15	ODD	PPP-38-O-4-15	.140 [3.56] REF	(((No OF POS.-1)/2)x.050[1.27])-.070[1.78]
	EVEN	PPP-38-E-4-15		
16-50	ODD	PPP-38-O-16-50	.280 [7.11] REF	(((No OF POS.-1)/2)x.050[1.27])-.140[3.56]
	EVEN	PPP-38-E-16-50		

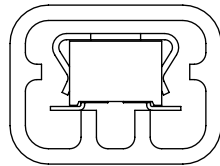
**PROPRIETARY NOTE**  
 THIS DOCUMENT CONTAINS CONFIDENTIAL AND PROPRIETARY INFORMATION AND ALL DESIGN, MANUFACTURING, REPRODUCTION, USE, PATENT RIGHTS AND SALES RIGHTS ARE EXPRESSLY RESERVED BY SAMTEC, INC. THIS DOCUMENT SHALL NOT BE DISCLOSED, IN WHOLE OR PART, TO ANY UNAUTHORIZED PERSON OR ENTITY NOR REPRODUCED, TRANSFERRED OR INCORPORATED IN ANY OTHER PROJECT IN ANY MANNER WITHOUT THE EXPRESS WRITTEN CONSENT OF SAMTEC, INC.

DO NOT SCALE DRAWING  
 SHEET SCALE: 4:1

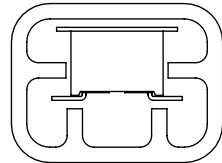
520 PARK EAST BLVD, NEW ALBANY, IN 47150  
 PHONE: 812-944-6733 FAX: 812-948-5047  
 e-Mail info@SAMTEC.com code 55322

DESCRIPTION:  
 LOW PROFILE .050 x .050 DOUBLE ROW ASM  
 DWG. NO. **CLP-1XX-XX-XXX-D-XX**  
 BY: PURVIS 01/31/1994 SHEET 2 OF 3

PACKAGING  
(SEE NOTE 4, SHEET 1)



PT-CLX-002-D



PT-CLX-001-D

TABLE 2		
OPTION	TUBE	PLUG
NONE, -A	PT-CLX001-D	TP-33
-P, -A-P	PT-CLX002-D	TP-33
-A-K, -K	PT-CLX001-D	TP-33

**PROPRIETARY NOTE**  
 THIS DOCUMENT CONTAINS CONFIDENTIAL AND PROPRIETARY INFORMATION AND ALL DESIGN, MANUFACTURING, REPRODUCTION, USE, PATENT RIGHTS AND SALES RIGHTS ARE EXPRESSLY RESERVED BY SAMTEC, INC. THIS DOCUMENT SHALL NOT BE DISCLOSED, IN WHOLE OR PART, TO ANY UNAUTHORIZED PERSON OR ENTITY NOR REPRODUCED, TRANSFERRED OR INCORPORATED IN ANY OTHER PROJECT IN ANY MANNER WITHOUT THE EXPRESS WRITTEN CONSENT OF SAMTEC, INC.

DO NOT SCALE DRAWING

SHEET SCALE: 4:1



520 PARK EAST BLVD, NEW ALBANY, IN 47150  
 PHONE: 812-944-6733 FAX: 812-948-5047  
 e-Mail info@SAMTEC.com code 55322

DESCRIPTION:  
 LOW PROFILE .050 x .050 DOUBLE ROW ASM

DWG. NO. **CLP-1XX-XX-XXX-D-XX**

BY: PURVIS 01/31/1994 SHEET 3 OF 3

## X-ON Electronics

Largest Supplier of Electrical and Electronic Components

*Click to view similar products for [Board to Board & Mezzanine Connectors](#) category:*

*Click to view products by [Samtec](#) manufacturer:*

Other Similar products are found below :

[10135583-642402LF](#) [89885-310LF](#) [589158040000018](#) [6-1393048-0](#) [68683-613](#) [MDF7-12DP-2.54DSA](#) [MDF7-18P-2.54DSA\(01\)](#) [MDF7-20DP-2.54DSA](#) [MDF7-26D-2.54DSA\(55\)](#) [MDF7-3P-2.54DSA\(01\)](#) [MDF7B-3P-2.54DSA\(55\)](#) [MDF7C-11P-2.54DSA\(55\)](#) [MDF7C-18P-2.54DSA\(55\)](#) [MDF7C-5P-2.54DSA\(01\)](#) [MDF7P-5P-2.54DSA\(55\)](#) [75234-0516](#) [FCN-230C068-11](#) [FCN-268F012-G/BD](#) [FCN-268F036-G/BD](#) [FCN-268M012-G/0D](#) [FCN-268M024-G/1D](#) [FCN-360C008-C](#) [FCN-360C040-C](#) [FCN-723J004/1](#) [MIS-048-01-F-D-DP-K](#) [832-10-034-10-001000](#) [93696-325LF](#) [11828-1FA](#) [AXK630345P](#) [18097-0013](#) [ICA-328STT](#) [2007042-2](#) [304400-2](#) [FCN-214Q030-G/0](#) [FCN-215Q040-G/0](#) [FCN-230C068-ESA](#) [FCN-234P048-G/0](#) [FCN-235D050-G/C](#) [FCN-360A3](#) [FCN-360C040-B](#) [210-93-314-41-105000](#) [2-22603-0](#) [379-064-521-202](#) [MDF7-12P-2.54DSA\(01\)](#) [MDF7-16P-2.54DS\(56\)](#) [MDF7-40DP-2.54DSA\(55\)](#) [MDF7-8P-2.54DSA\(55\)](#) [MDF7B-16P-2.54DSA\(55\)](#) [AXG720047](#) [5031084030](#)