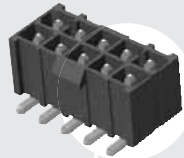




IPBT-105-H2-T-D-K



IPBT-108-H1-T-D-RA-K



IPBT-105-H1-T-D-GP



**IPBT SERIES**

(4.19 mm) .165"

# ISOLATED TERMINAL POWER HEADER

## SPECIFICATIONS

For complete specifications see [www.samtec.com?IPBT](http://www.samtec.com?IPBT)

- Insulator Material:** Black Liquid Crystal Polymer
- Contact Material:** High Copper Alloy
- Plating:** Sn over 50µm (1.27 µm) Ni
- Operating Temp Range:** -55°C to +105°C
- Voltage Rating:** 400 VAC/565 VDC
- RoHS Compliant:** Yes
- Lead-Free Solderable:** Yes

## RECOGNITIONS

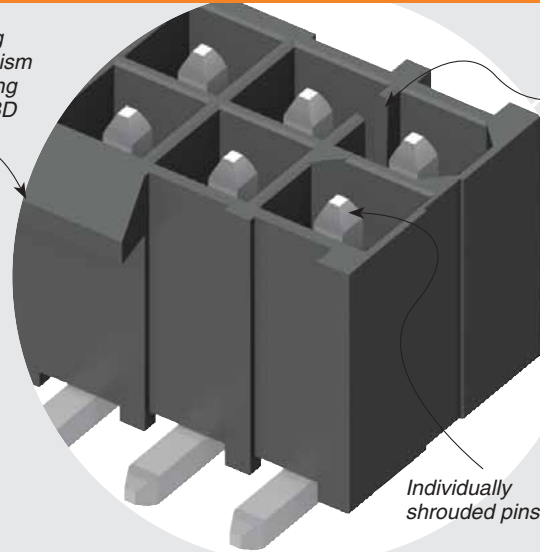
For complete scope of recognitions see [www.samtec.com/quality](http://www.samtec.com/quality)



**Mates with:**  
IPBS, IPBD,  
PMSD, PMSS

IPBT/IPBS	
PINS POWERED	CURRENT RATING (PER CONTACT)
2	10.3 A
4	8.4 A
6	7.6 A
8	7.1 A
30	6.0 A

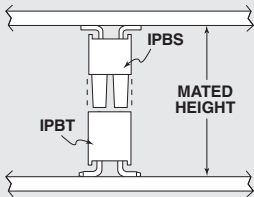
Latching mechanism for mating with IPBD Series



Keyed Polarization

- Individually shrouded contacts
- Polarized guide post hole option

## APPLICATION



IPBT/IPBS LEAD STYLE	MATED HEIGHT*
H1-01	(15.25) .600
-H2-02	(16.84) .663

\*Processing conditions will affect mated height.

**IPBT** — **1** NO. OF POSITIONS PER ROW — **LEAD STYLE** — **PLATING OPTION** — **ROW OPTION** — **OPTION**

02, 03, 04, 05, 08, 10, 15  
(-D only)

02, 03, 04, 05, 08, 10  
(-S only)  
(Standard sizes)

-H1 = Through-Hole  
-H2 = Surface Mount

-T = Matte Tin

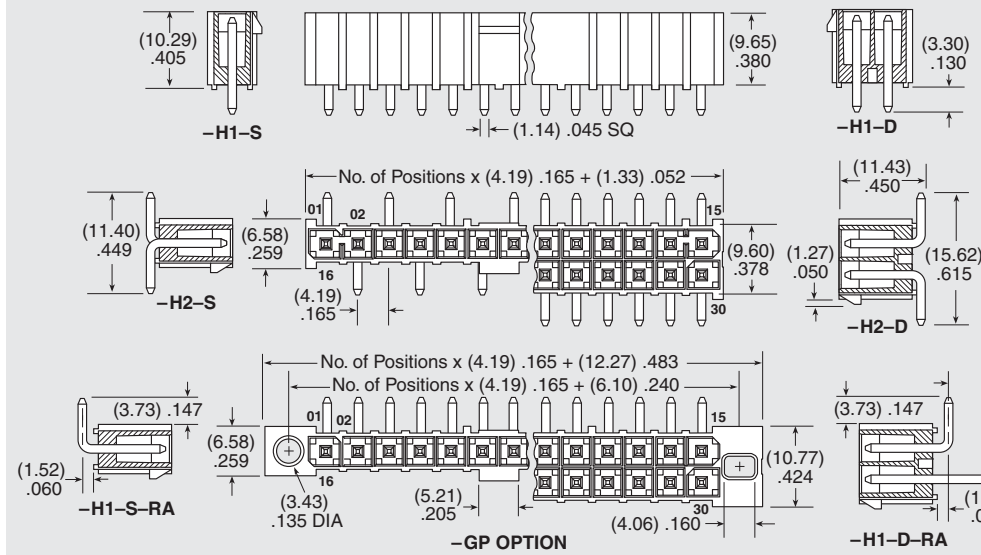
-S = Single Row  
-D = Double Row

-RA = Right Angle (Lead Style -H1 only)  
-GP = Guide Post Holes (8 positions not available)

-K = Keyed Polarization (not available with -GP option, is required callout if -GP not called out)

## ALSO AVAILABLE (MOQ Required)

- Other sizes
  - Other lead styles
- Contact Samtec.



**Note:** Some lengths, styles and options are non-standard, non-returnable.

## X-ON Electronics

Largest Supplier of Electrical and Electronic Components

*Click to view similar products for [samtec](#) manufacturer:*

Other Similar products are found below :

[ESQT-130-03-M-Q-368](#) [ESQT-135-03-F-D-380](#) [FTSH-105-01-L-D-K](#) [FTSH-111-01-L-DV](#) [QTE-060-01-L-D-A](#) [MSAS-179-ZUGG-18](#)  
[MTSW-103-07-F-S-240](#) [MTSW-125-24-H-D-285](#) [BCS-116-L-S-TE](#) [ERF8-020-05.0-S-DV-K-TR](#) [ERF8-060-05.0-L-DV-K-TR](#) [IDMD-10-T-12.00-A-G-R](#) [IPL1-112-01-L-D-K](#) [SFM-110-02-S-D](#) [SFML-115-01-S-D](#) [SFML-125-01-S-D](#) [SFSDT-15-28-H-04.50-DR-NDS](#) [LSHM-120-02.5-L-DV-A-N-K-TR](#) [SMS-125-02-S-D](#) [ESQ-110-14-G-D](#) [ESQT-125-03-F-D-310](#) [SQW-120-01-F-D-VS-A](#) [SSW-110-02-H-D](#) [CES-150-01-T-D](#) [QFS-052-01-SL-D-RA](#) [QTE-040-04-L-D-A](#) [QTH-020-04-F-D-DP-A-K-TR](#) [QTH-060-01-F-D-A](#) [QTH-090-04-L-D-A](#) [TCSD-10-S-05.00-01-F-N](#) [TFM-110-02-S-D](#) [TFM-115-02-L-DH](#) [TFM-120-12-S-D-LC](#) [TFML-140-02-S-D](#) [TLW-107-05-G-D](#) [TMM-140-03-S-Q](#) [BDL-136-T-E](#) [TSS-132-01-G-S](#) [TST-113-04-S-D-RA](#) [TSW-105-14-F-D](#) [HMTSW-108-22-S-S-400](#) [BSE-040-01-F-D-A](#) [HPF-03-02-T-S](#) [TW-03-06-H-D-400-SM-A](#) [ZW-20-13-H-D-790-150](#) [ERF8-020-01-L-D-RA-L-TR](#) [ERF8-025-05.0-L-DV-TR](#) [ERF8-040-05.0-L-DV-TR](#) [SL-120-T-10](#)  
[SLM-115-01-S-D](#)