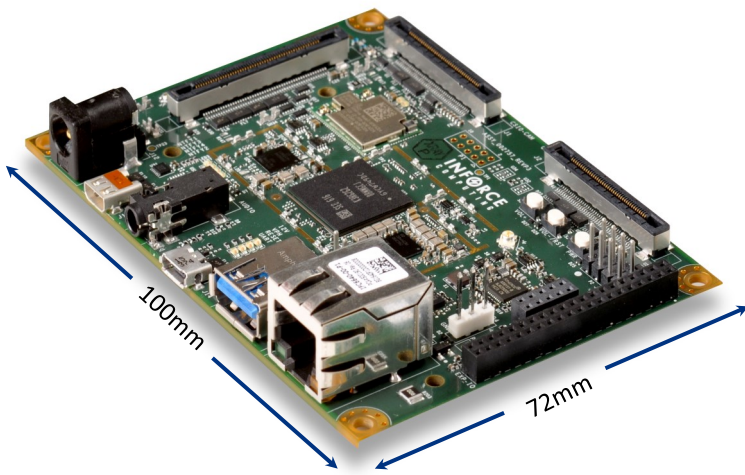




Inforce 6640™ SBC

Single Board Computer based on the Qualcomm® Snapdragon™ 820 Processor



The ultimate single board computer for power, performance and connectivity.

The high performance Inforce 6640 SBC is based on Qualcomm's first custom 64 bit quad core Snapdragon 820 processor (APQ8096) for embedded applications.

The Inforce 6640 SBC provides consumers with the ultimate IoT experience by enabling striking visual graphics, advanced processing and power efficiency with improved connectivity. The Inforce 6640 SBC is a production-ready platform that will take your product to the next level, quickly and competitively.

Designed with your end application in mind, this platform is ideal for graphics-heavy and compute-intense applications such as augmented/virtual reality, medical devices, IoT devices, video collaboration, and gaming.



Video Collaboration



Virtual/Augmented Reality



Robotics/Drones



Medical Imaging



Superior performance and efficiency with Qualcomm Kryo CPU and Hexagon 680 DSP



Spectra™14-bit dual-ISP with 25MP@30fps support with zero shutter lag and high precision



Adreno™ 530 GPU with 64 bit addressing and support for OpenGL ES 3.2, and OpenCL 2.0



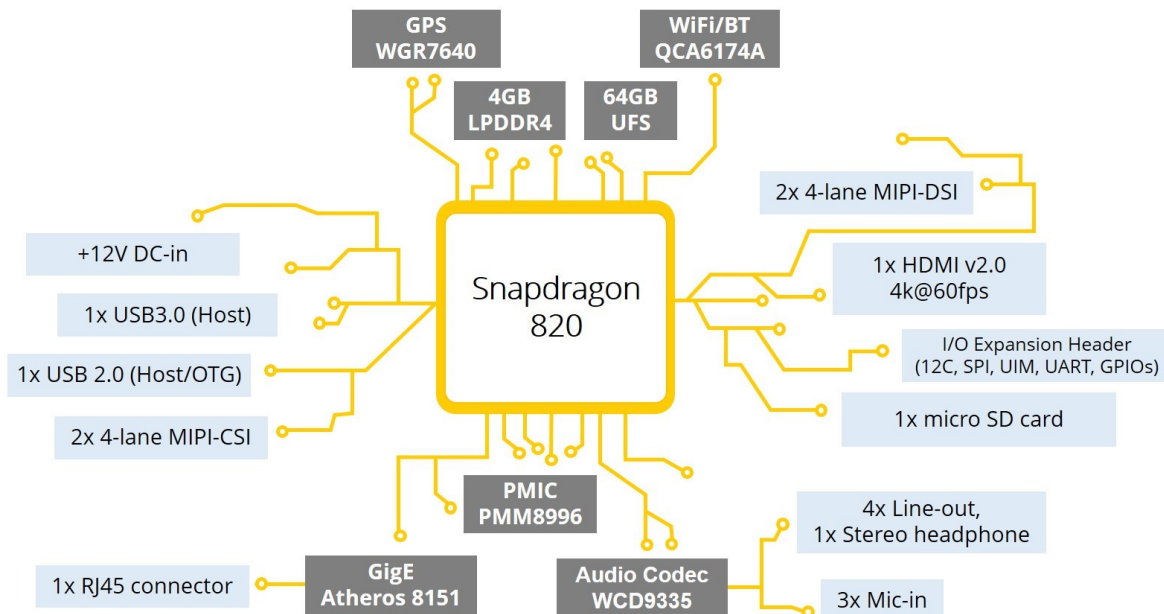
4K Ultra HD HEVC Video Capture and Playback



Production-ready, compact platform with volume-conscious pricing



Technical Support through Inforce TechWeb



* Not all interfaces can be used at the same time

Technical Specifications

Processor

- ◆ Qualcomm® Snapdragon™ 820 Quad Core (APQ8096 SoC)
- ◆ Qualcomm® Kryo™ 64-bit CPU @2.2GHz each
- ◆ Qualcomm® Adreno™ 530 GPU
- ◆ Qualcomm® Hexagon™ DSP 680

Memory/ Storage

- ◆ 4GB LPDDR4 @1866MHz
- ◆ 64GB UFS 2.0
- ◆ 1x µSD card interface with support for SD v3.0 for SDR104 (UHS-I)

Connectivity

- ◆ Bluetooth 4.2 via QCA6174
- ◆ Wi-Fi 802.11ac dual band 2.4GHz/5GHz (QCA6174)

Ordering Info

| Part Number | Description |
|---------------|-------------------------------|
| IFC6640-01-P1 | Pico-ITX Dev Kit (Android) |
| IFC6640-00-P1 | Pico-ITX Board Only (Android) |

GPS

- ◆ On-board GPS via WGR7640

Multimedia

- ◆ 2 x 4-lane MIPI-DSI interface
- ◆ HDMI v2.0 4K Ultra HD
- ◆ Up to 4K Ultra HD HEVC video capture @30fps
- ◆ 4K HEVC playback @60 fps and capture @30 fps

Camera

- ◆ Dual MIPI-CSI cameras up to 25MP Camera

Operating System

- ◆ Android Marshmallow board support package (BSP) pre-loaded

Other Specifications

- ◆ Power: +12V/3A
- ◆ Size: Pico-ITX (100mm x 72mm)
- ◆ Operating Temp: 0 to 70° Celsius
- ◆ Relative Humidity: 5 to 95% non-condensing
- ◆ RoHS and WEEE compliant

Inforce — Embedded. Connected. Aware.

Inforce Computing® is a supplier of application-ready embedded hardware platforms in eco-aware, low-profile footprints, available off-the-shelf to serve growing markets enabled by the next generation of connected devices. At Inforce, we are inspired by the inflection point in mobile and wireless technologies which is spawning innovative devices, content, and services. Together with silicon, software, and system partners, Inforce is pioneering products with an optimized delivery model for medical imaging, smart office, hands-free computing, and robotics.



Global Sales & Support Inforce Computing Inc. 48820 Kato Road Ste 600B, Fremont, CA 94538 USA
Phone: (510) 683-9999 | sales@inforcecomputing.com
<http://www.inforcecomputing.com>

© 2017 Inforce Computing, Inc. All rights reserved. All other trademarks and product information are the property of their respective owners.

X-ON Electronics

Largest Supplier of Electrical and Electronic Components

Click to view similar products for [Single Board Computers](#) category:

Click to view products by [Inforce Computing](#) manufacturer:

Other Similar products are found below :

[MANO882VPGGA-H81](#) [SSD3200W-S-SLC-INN](#) [AmITX-SL-G-Q170](#) [IB100](#) [MVME61006E-2173R](#) [20-101-0738](#) [PCE-4128G2-00A1E](#)
[RSB-4220CS-MCA1E](#) [SHB230DGGA-RC](#) [IB909AF-5650](#) [PICO841VGA-E3827](#) [IMB210VGGA](#) [MI981AF](#) [RSB-4221CS-MCA1E](#) [PCE-](#)
[9228G2I-00A1E](#) [IB915F-3955](#) [IB909F-5010](#) [MI958F-16C](#) [Nitrogen7](#) [UPS-P-8G-64GB-PACK](#) [S2600WFT](#) [IB915AF-6300](#) [S2600STB](#)
[BBS2600BPS](#) [IB915F-6100](#) [Nit6QP_MAX](#) [MI990VF-X28-E](#) [MI990VF-6820](#) [BANANA PI BPI-M4](#) [BLKNUC7I3DNHNC1978015](#)
[BLKNUC7I5DNK1E 960791](#) [IOT-LS1012A-OXALIS](#) [NITX-300-ET-DVI](#) [94AC6633](#) [A33-OLINUXINO-N8G](#) [A64-OLINUXINO-](#)
[1GE16GW](#) [A20-SOM204-1G-M](#) [EMB-APL1-A10-3350-F1-LV](#) [PICO-APL1-A10-F001](#) [PICO-APL4-A10-F003](#) [ODYSSEY -](#)
[STM32MP157C BOARD WITH SOM](#) [BEAGLEBONE GREEN GATEWAY DEV BOARD](#) [ODYSSEY - X86J4105864 8GB RAM 64GB](#)
[EMMC](#) [ODYSSEY -X86J4105864 8GB/64GB ENTERPRISE](#) [VISIONDK-STM32MP1 V.1.0](#) [VISIONDK-6ULL V.2.0](#) [VISIONDK-8MMINI](#)
[V.1.0](#) [VISIONDK-RT](#) [VISIONSTK-STM32MP1 V.1.0](#) [MIX-H310D1-A10-HH](#)