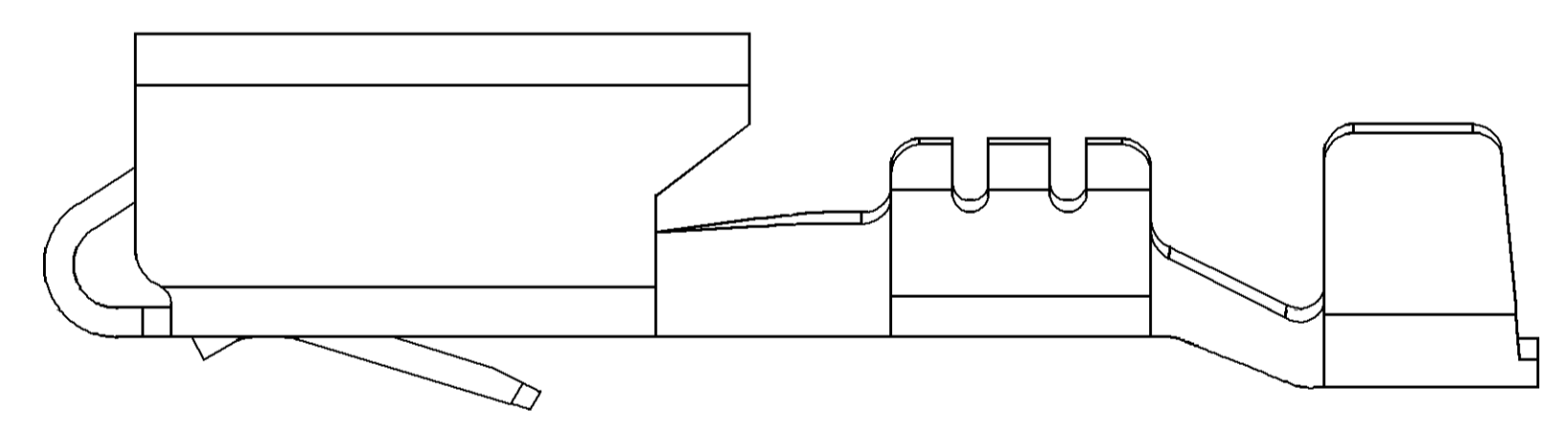
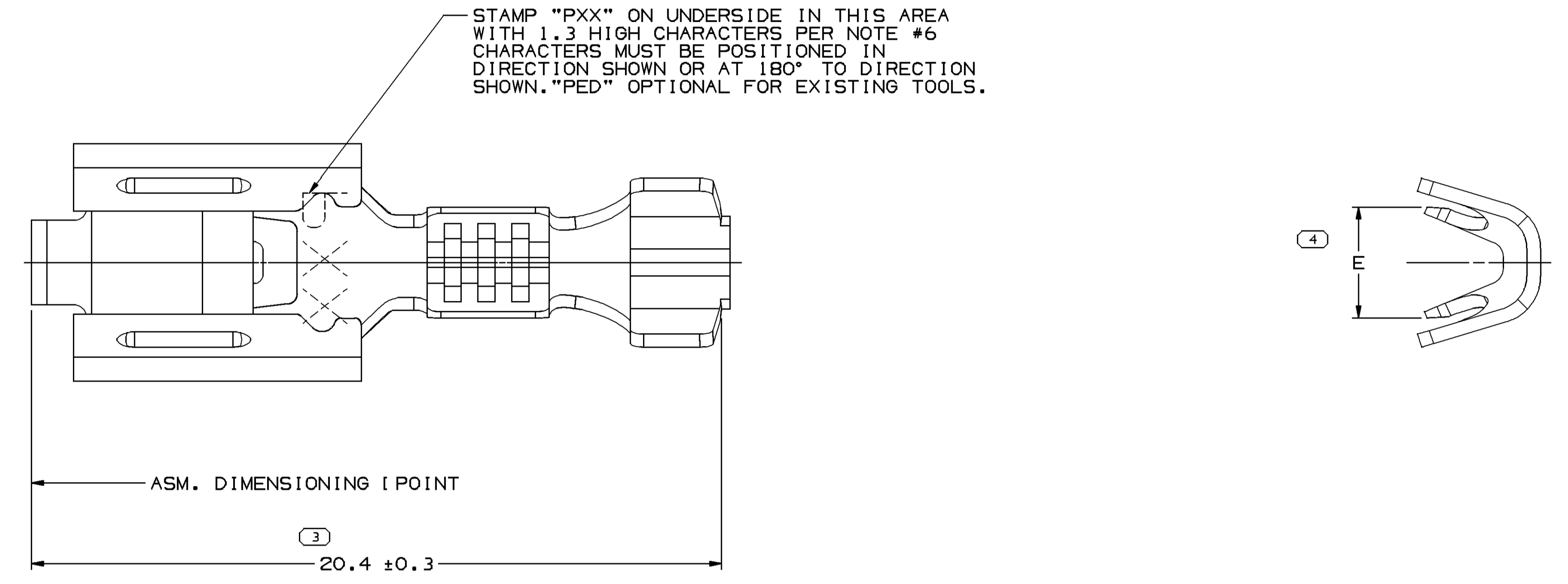
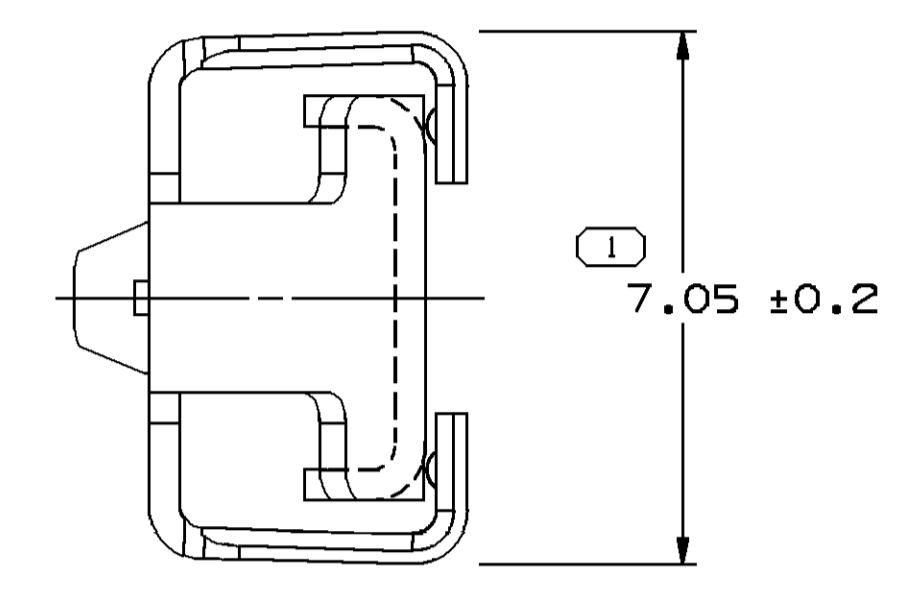
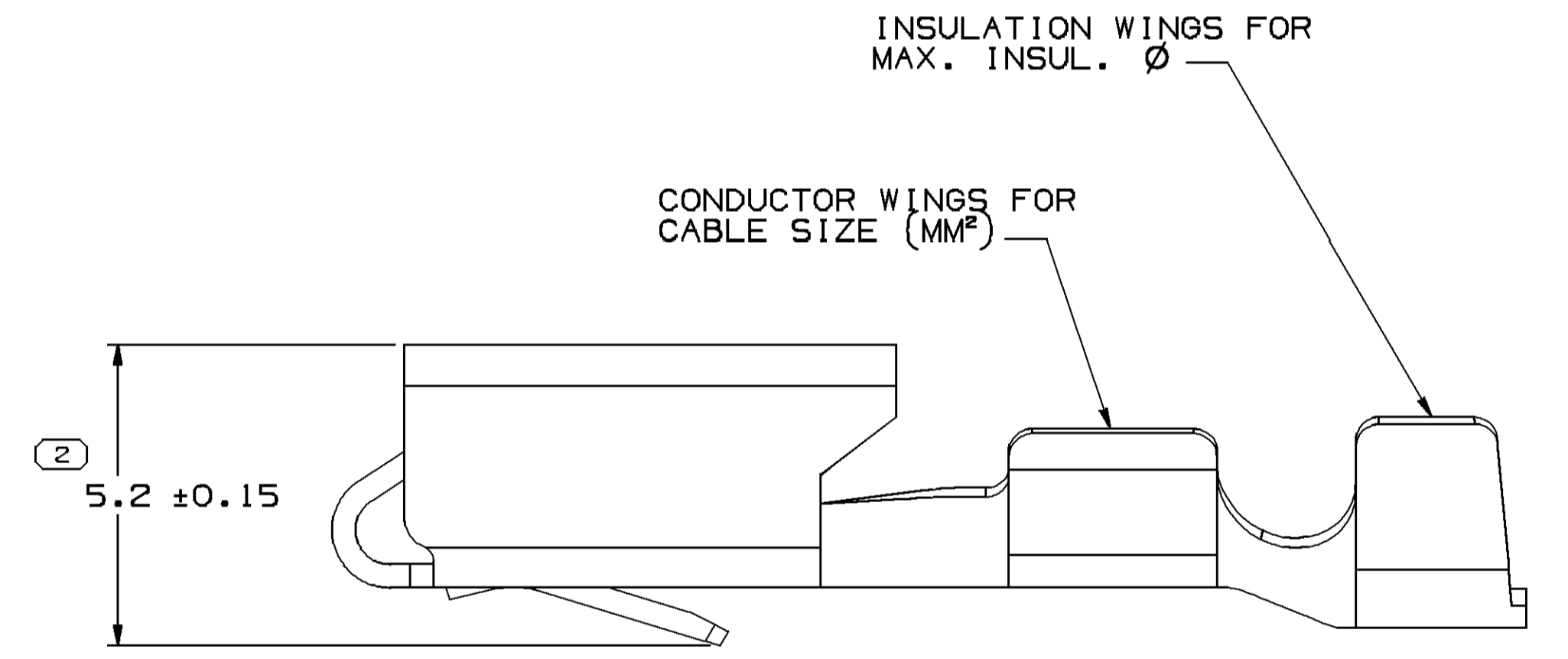


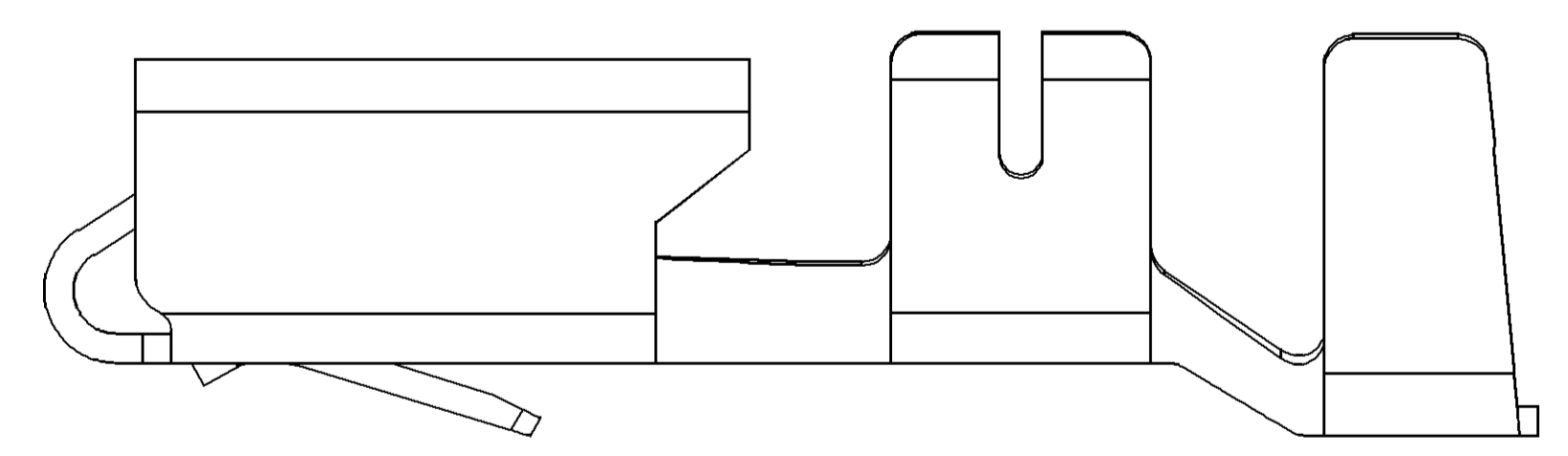
SYMBOL DEFINITION		MISSING NUMBERS		DWG STATUS		ZONE		REVISION HISTORY		AUTH		DR		APVD	
THE NUMBER INSIDE THE SYMBOL CORRESPONDS TO THE NUMBER ON THE INSPECTION REPORT FOR THIS DRAWING/PART NUMBER	TOTAL NO. OF SYMBOLS ON DRAWING			DATE	STG	REV	N/P	CHG							
4	4			25MY99	R	001	-	-	CLEARED REVISION COLUMN - 12015833 - OBSOLETE	990003	MAR	MAR	LRT		
				03SE99	R	002	-	-	12015833, 35, 36, 68, 72, 12015252, 53, 55, 12015333 - REINSTATE	990010	HH	OMP	JH		
				03SE99	R	003	-	-	12015832, 33, 35, 36, 68, 69, 70, 72, 12015252, 53, 55, 12015333 - REVISED ANTI-ROTATION COLUMN	195278	HH	OMP	JH		
				03SE99	R	004	-	-	12015833, 35, 36, 68, 72, 12015252, 53, 55, 12015333 - OBSOLETE	990003	HH	OMP	JH		
				10DE07	R	05	-	-	ALL ACTIVE PARTS - REVISED MATERIAL SPECIFICATIONS TO LATEST STANDARD	403174	RH	RH	BDG		
				24JUN08	R	06	-	-	12066276 - OBSOLETE AND REPLACED BY 12052224	405106	JTZ	JAA	RAP		
				04FE09	R	07	-	-	12015832 & 12066268 - OBSOLETE AND REMOVED REPLACED BY COLUMN OF CHART	407267	EFS	FKV	RAP		
				26MY10	R	08	-	-	ALL ACTIVE PARTS - ADDED TYPE VIEWS 103 & 104	407485	EVV	EVV	GEM		



TYPE 103  
SAME AS TYPE 101  
EXCEPT AS SHOWN



TYPE 101



TYPE 104  
SAME AS TYPE 101  
EXCEPT AS SHOWN

- NOTES
- UNLESS OTHERWISE SPECIFIED AND/OR INDICATED: DIMENSIONS ARE TO FACE OF VIEW SHOWN AND AUTOMATICALLY ROUNDED BY COMPUTER FOR INSPECTION (SEE MATH MODEL FOR PRECISE DIMENSIONS). FOR ALL OTHER DIMENSIONS NOT SHOWN BUT REQUIRED FOR TOOL BUILD, SEE MATH MODEL FOR PRECISE TOOL PATH DATA.
  - A R 0.4 MAX IS PERMISSIBLE ON ALL "SHARP" CORNERS UNLESS OTHERWISE SPECIFIED. ALL LOCKING FEATURES MUST HAVE SHARP CORNERS
  - TERMINALS TO HAVE TERMINAL ENGAGE OF 8N TO 28N AND TERMINAL DISENGAGE OF 8N TO 28N WHEN MATED TO A 6.3 X 0.81 HARDENED STEEL BLADE. (DISENGAGE MAY BE EXCLUDED WHEN BOX HEIGHT, BOX WIDTH, MINIMUM BOX ENTRANCE, NOSE RADIUS AND TERMINAL ENGAGE ARE MAINTAINED)
  - RECOVERY NOTE - AFTER INSERTION INTO A 4.3 FUNCTIONAL GAGE, 5.4 TANG MUST RECOVER TO A MINIMUM OF 4.7.
  - VISIBLE CRACKS ARE NOT PERMISSIBLE.
  - "PXX" INDICATES "P" PLUS LAST TWO DIGITS OF MAKE SERIES NUMBERS (P01, P02, P03, ETC).
  - DO NOT PROBE, TEST OR OTHERWISE CONTACT THE INTERIOR REGION (THE SPRING OR ANY MOVING PART) OF THIS TERMINAL. SEVERE DAMAGE CAN OCCUR, COMPROMISING THE PERFORMANCE OF THE ELECTRICAL INTERFACE.

PART NO	REV	N/P	STATUS	MAT'L SIZE	MAT'L SPEC	PART NO	REV	STATUS	MAT'L SIZE	MAT'L SPEC	SIZE (MMF)	CABLE	ID	TYPE	ANTI-ROTATION NIB	
12089675	A		OBSOLETE	0.406X33.73		12084596	D2		0.406X33.73	COPPER ALLOY	(215-3	211	5.24-3.49	104	6.6	**
12066268	E2		OBSOLETE	0.406X33.73	COPPER ALLOY	12052222	E2		0.406X33.73	COPPER ALLOY	0.5-0.35	21	2.51-1.84	103	2.4+0.2	
12066276	E2		OBSOLETE	0.406X33.73	COPPER ALLOY	12052224	E2		0.406X33.73	COPPER ALLOY	3	12	3.1-2.94	104	4.6	YES
12020143	F		OBSOLETE	0.406X33.73		12020144	Ø	OBSOLETE	0.406X33.73		(210.35	222	2-1.35	102	3.6	
12015836	D3		OBSOLETE	0.406X33.73		12020035	Ø2		0.406X33.73	COPPER ALLOY	(210.8-0.5	219	3.12-2.03	101	5.1	
12015835	E3		OBSOLETE	0.406X33.73		12015868	E3	OBSOLETE	0.406X33.73		(215-3	211	5.24-3.49	101	6.6	YES
12015833	E3		OBSOLETE	0.406X33.73		12015872	F3	OBSOLETE	0.406X33.73		0.35	22	2-1.84	102	2.2	
12015832	H3		OBSOLETE	0.406X33.73	COPPER ALLOY	12015870	F3		0.406X33.73	COPPER ALLOY	2-1	15	3.97-2.48	101	3.7	YES
12015333	Ø3		OBSOLETE	0.406X33.73		12015869	J3		0.406X33.73	COPPER ALLOY	0.8-0.5	19	3.12-2.03	103	3.2	
						12015255	F3	OBSOLETE	0.406X33.73		(215-3	211	5.24-3.49	101	6.6	YES
						12015253	E3	OBSOLETE	0.406X33.73		0.35	23	2-1.84	102	2.2	
						12015252	E3	OBSOLETE	0.406X33.73		2-1	15	3.97-2.48	101	3.7	YES
									0.8-0.5		19	3.12-2.03	101	3.2		

DWG TYPE: PART DRAWING

STYLE: D

VOLUME (OMP): D

DISTR CODE: D

UNLESS OTHERWISE SPECIFIED

THIS DOCUMENT IS IN ACCORDANCE WITH ASME Y14.5M-1994 AS MODIFIED BY THE 3D DIMENSIONING AND TOLERANCING ADDENDUM-2001. SEPARATE PATTERNS OF FEATURES MAY BE SHOWN SEPARATELY REGARDLESS OF DATA REFERENCES.

ALL DIMENSIONS ARE IN MILLIMETERS

REFERENCE:

PROCESS SENSITIVE DIMENSION

DIMENSIONS ENCLOSED IN ( ) INDICATE REFERENCE DIMENSIONS AND NO TOLERANCE LIMITS ARE ESTABLISHED

THIRD ANGLE PROJECTION

DO NOT SCALE

USE MATH DATA

ANGULAR TOLERANCE: ±0.2°

**DELPHI**

DELPHI PACKARD ELECTRICAL/ELECTRONIC ARCHITECTURE  
WARREN, OH

DATE:

DR: J. C. ORTIZ

APV02: MANUEL VEGA

APV03: D. MANGIARELLI

APV04:

APV05:

SUBSTANCES OF CONCERN AND RECYCLED CONTENT PER DELPHI (0449901)

MATERIAL: SEE CHART

DRAWING NAME: TAXI TERM F/W P 630 TANG

DRAWING NUMBER: 12065521

SIZE: A0

SCALE: 10:1

FRAME NO: 1

SHEET NO: 1

STG: 4

REV: 08

N/P: -

12065521-03001-001 Date: 28-May-10 Time: 07:33

## X-ON Electronics

Largest Supplier of Electrical and Electronic Components

*Click to view similar products for [Automotive Connectors](#) category:*

*Click to view products by [Delphi](#) manufacturer:*

Other Similar products are found below :

[003-018-000](#) [600858](#) [60403001](#) [60993906-B](#) [60993913-B](#) [629515004020001](#) [M902-2131](#) [M902-2161](#) [M902-2344](#) [72.330.1035.1](#)  
[73.353.4028.0](#) [F118010](#) [F119300-B](#) [F132210](#) [F132210-B](#) [F166900](#) [F180100](#) [F258300](#) [F258300-B](#) [F294300-B](#) [F339100](#) [F339700](#) [F358300-](#)  
[B](#) [F374110](#) [F407400](#) [F412210](#) [F427600](#) [F444110](#) [F487000](#) [F495100-B](#) [F500900-B](#) [F509500B-B](#) [770444-1](#) [776880-1](#) [827153-1](#) [881735-1](#)  
[8N1515-32-24P](#) [9-1326729-8](#) [925467-1](#) [925474-1](#) [928905-1](#) [936398-2](#) [964562-1](#) [964562-4](#) [964731-2](#) [965051-1](#) [968782-1](#) [GT17SA-8DS-](#)  
[HU](#) [GT17VS-10DP-5.2CF](#) [98315-0001](#)