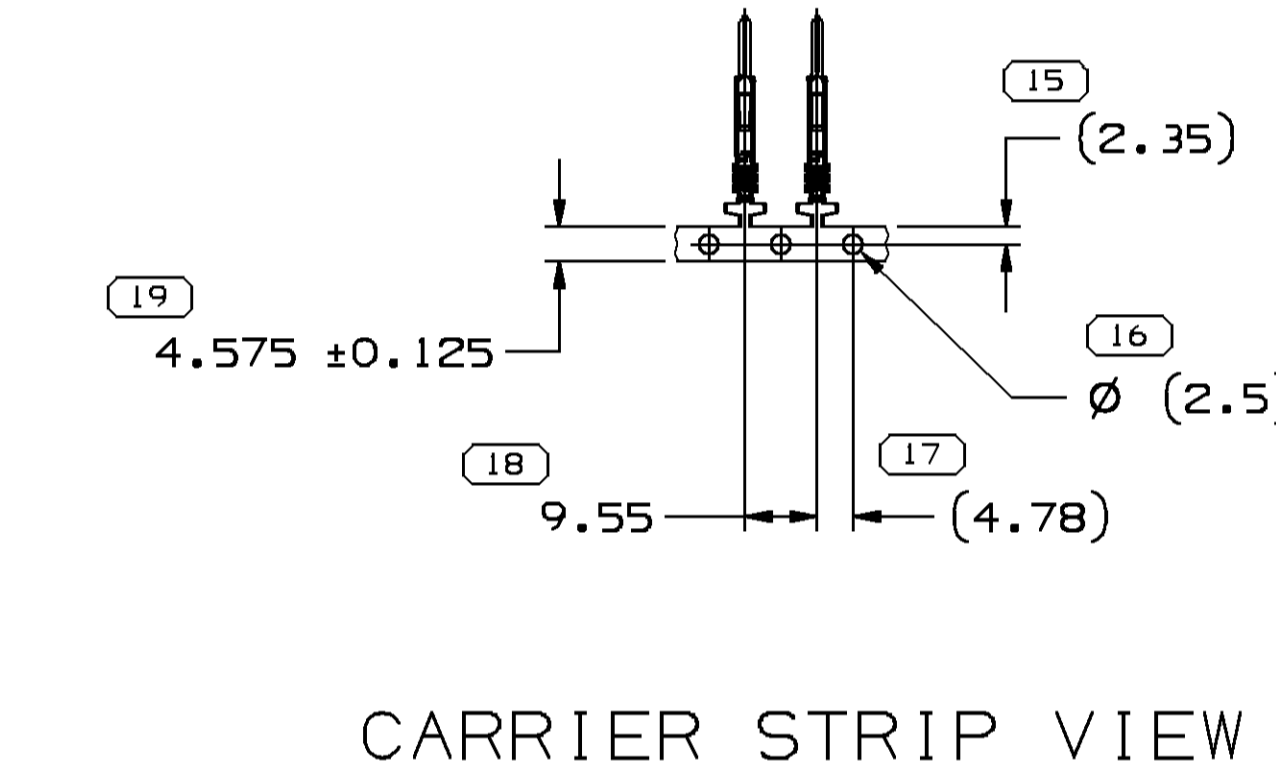
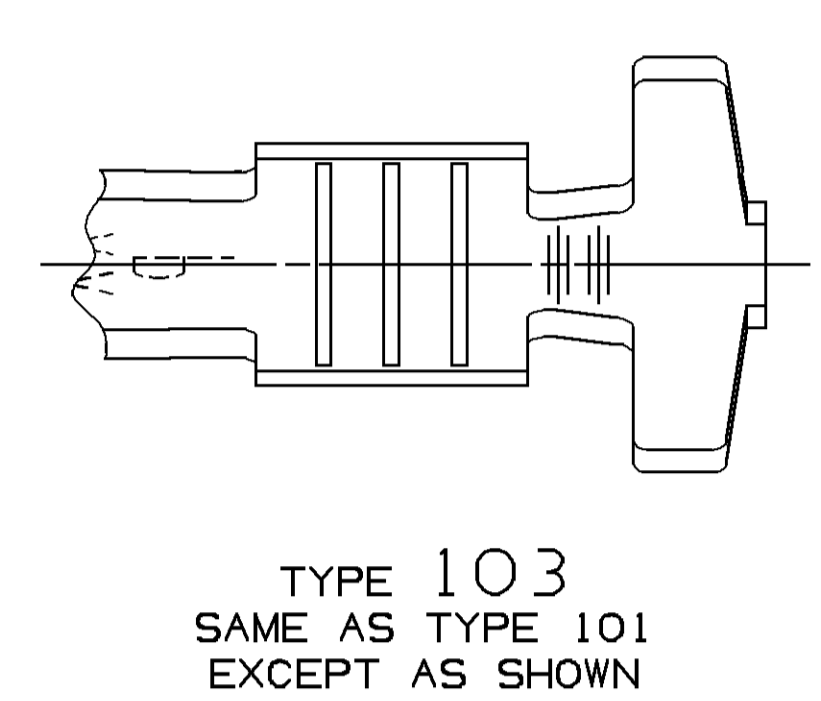
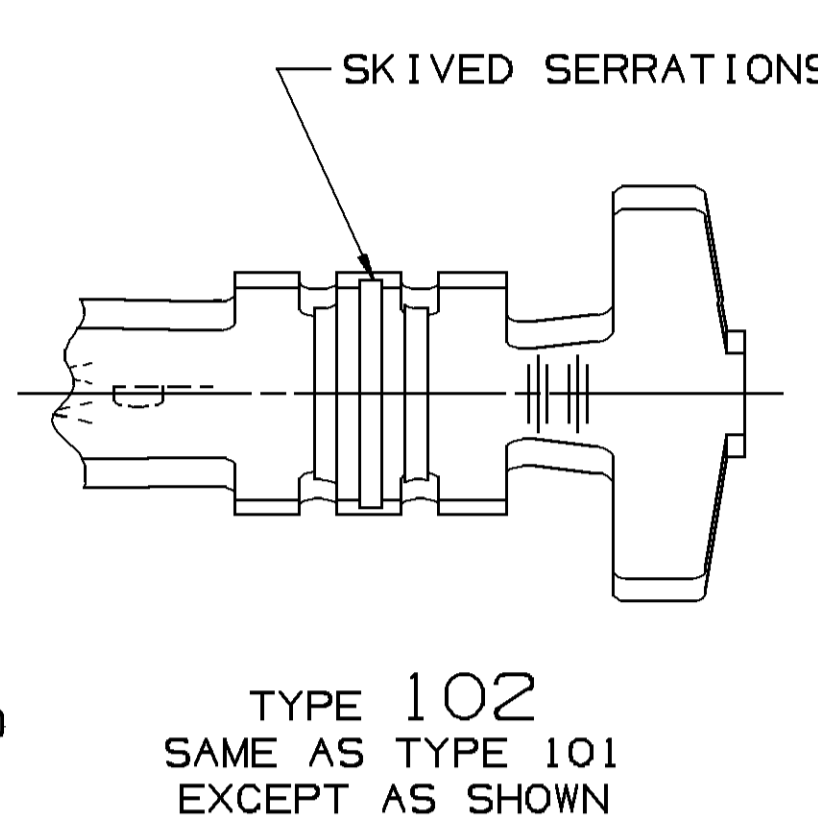
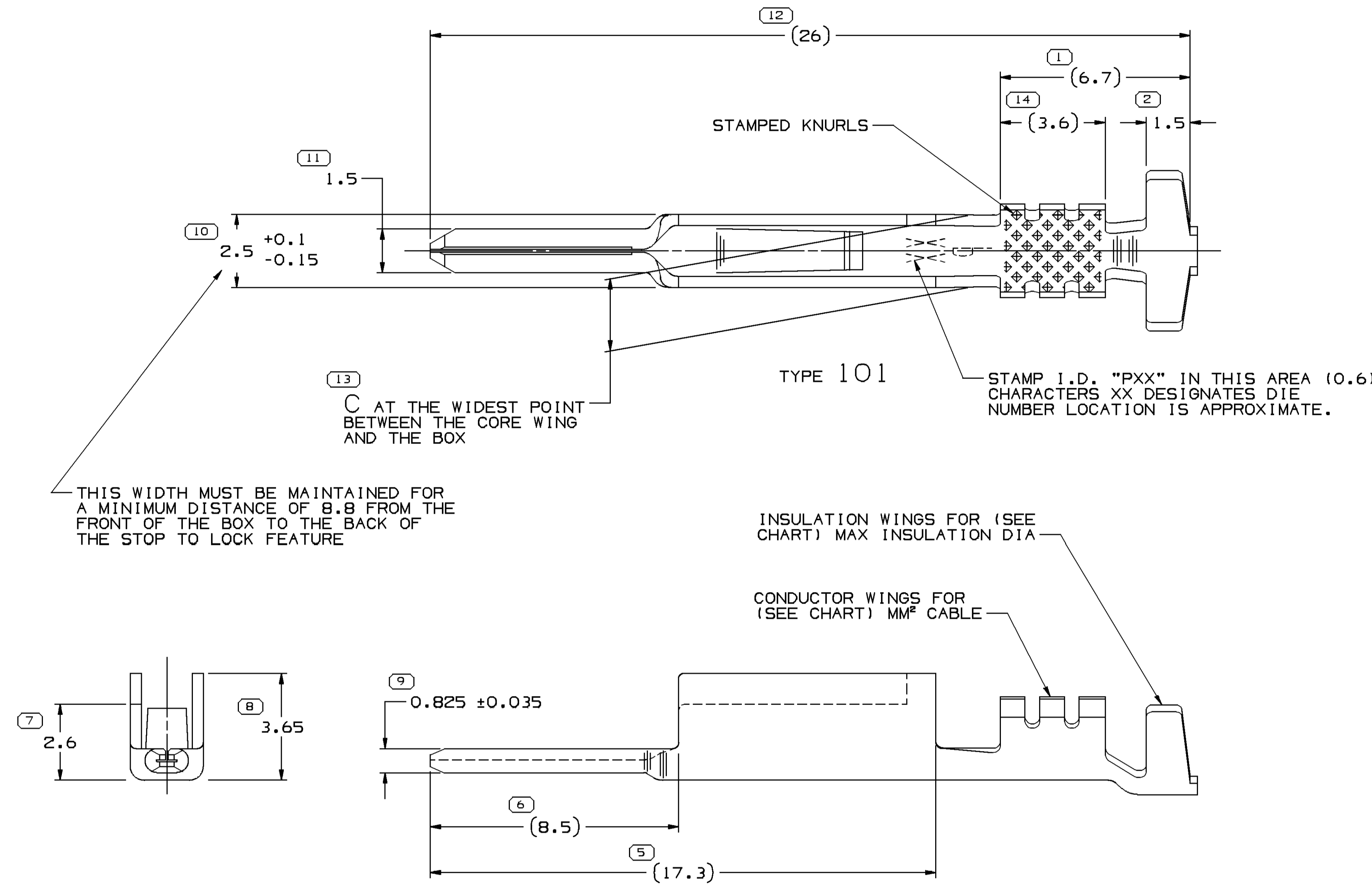
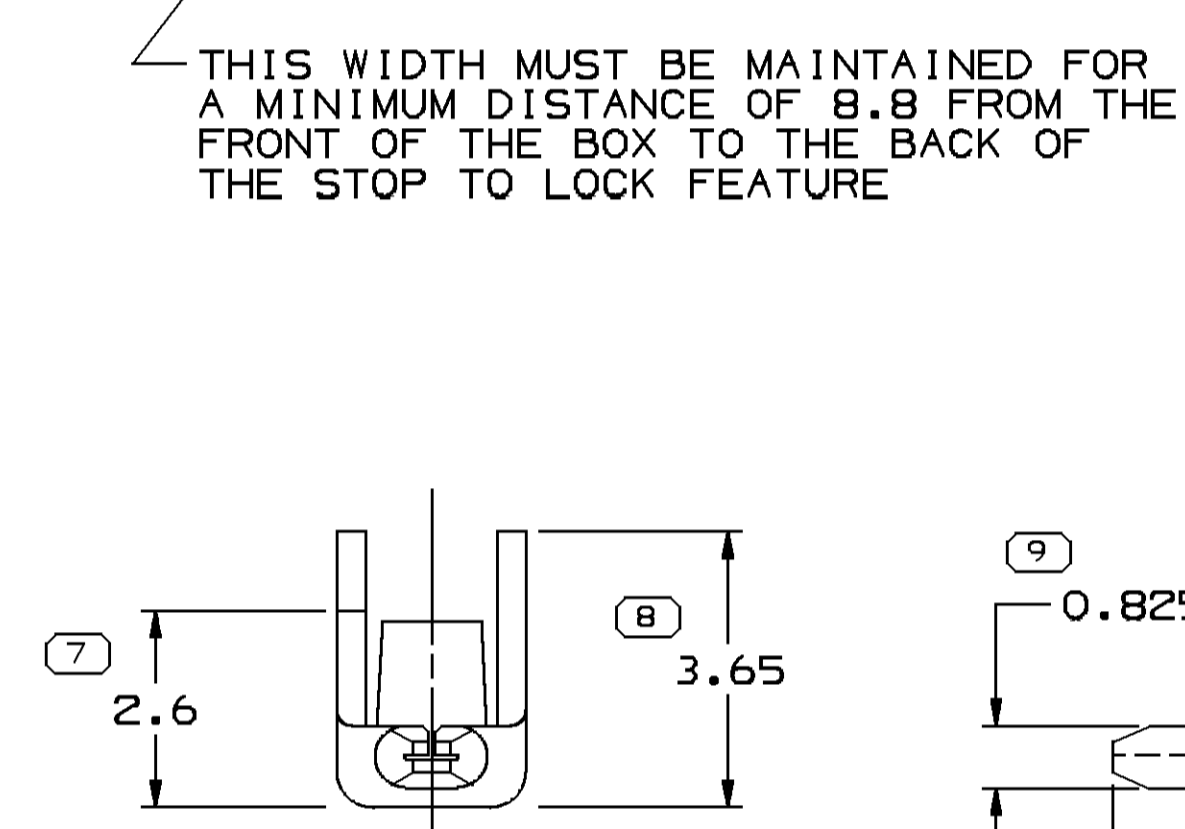


SYMBOL DEFINITION		TOTAL NO OF INSPECTIONS REQUIRED	NO MISSING SYMBOL NUMBER
A DIMENSION WITHOUT AN INSPECTION REPORT SYMBOL DOES NOT REQUIRE INSPECTION. IT MAY BE CONTROLLED ON THE INDIVIDUAL COMPONENT DRAWING.		19	
	LAST NO. USED	19	

DWS STATUS				REVISION HISTORY				AUTH	DR	APVD	APV2
DATE	STG	REV	W/P	CHG	ZONE						
26NO96	-	-	-	-	-	ALL PARTS-PID CREATED FROM SEPARATE PID'S NO REV UPDATED REQ'D 15317765		960005	WTP	WTP	WTP
26NO96	-	-	-	-	-	ALL ACTIVE PARTS-REVISED-REV LEVELS ADVANCED		176842	WTP	WTP	WTP
13JA96	-	-	-	-	-	12047581-12059894-12191889 & 15317765 REVISED-REV LEVELS ADVANCED		176913	EMB	EMB	AUG
11MR97	-	-	-	-	-	15317765 REVISED-REV LEVEL ADVANCED		178061	MVA	MVA	MVA
08MY97	-	-	-	-	-	ALL ACTIVE PARTS-REVISED-NO REV UPDATE REQ'D		177551	PHC	PHC	JVS
08MY97	-	-	-	-	-	15355307-RELEASED TO REV "A"		970005	PHC	PHC	JVS
15JL97	-	-	-	-	-	12191889-PID UPDATED- NO REV UPDATE REQ'D		181156	EMB	EMB	RPO
18JA05	R	01	-	-	-	REVISED MATERIAL SPEC		262972	MM	MM	BB
30MR05	R	02	-	-	-	ALL ACTIVE PARTS - TOLERANCE ON DIM #4 WAS ±0.1		265258	LMB	LMB	MM
19MY05	R	03	-	-	-	ALL ACTIVE PARTS - UPDATED PDM ATTRIBUTES		268260	SPS	JVM	BDG
16AU05	R	04	-	-	-	ALL ACTIVE PARTS - ADDED STAMP I.D. LABEL		270616	RTV	FRG	MKM
22NO05	R	05	-	-	-	12191889 - RESTRICTED AND ADDED PROCESS NOTE # 2, 15305307 - RESTRICTED AND CABLE SIZE WAS 0.35-0.5		274640	MDH	JVM	BDG
15JA09	R	06	-	-	-	ALL ACTIVE PARTS - ADDED LABEL AND DIM 2.5 +0.1/-0.15 WAS 2.5 ±0.1		407112	SCR	ECB	BEM
08AP09	R	07	-	-	-	12040993 - OBSOLETE & REPLACED BY 12047581		407299	JTZ	FKV	RAP
10JA11	R	08	-	-	-	ALL ACTIVE PARTS- UPDATED PDM ATTRIBUTES		413005	LHT	LHT	LHT
05FE13	R	09	-	-	-	ALL ACTIVE PARTS- UPDATED PDM ATTRIBUTES		421357	JRV	FRE	JRV



CARRIER STRIP VIEW



NOTES

- UNLESS OTHERWISE SPECIFIED AND/OR INDICATED: DIMENSIONS ARE TO FACE OF VIEW SHOWN AND AUTOMATICALLY ROUNDED BY COMPUTER FOR INSPECTION (SEE MATH MODEL FOR PRECISE DIMENSIONS). FOR ALL OTHER DIMENSIONS NOT SHOWN BUT REQUIRED FOR TOOL BUILD, SEE MATH MODEL FOR PRECISE TOOL PATH DATA.
- REFERENCE MATING COMPONENTS OR EQUIVALENT: TERMINAL 12047767 MAX INSULATION CRIMP 3 HIGH X 2.6 WIDE.

PROCESS NOTE

- LOOSE PLATING AND METAL 'FLAKES' TO BE WASHED FROM TERMINAL.
- 12191889 IS SAME AS 12059894 BUT TERMINAL HAS TO BE WASHED AT MAKE DIE OR PROCESSED WITH NYOSIL-M25 LUBRICANT.

PART NO	REV	MAT'L SIZE	MAT'L SPEC	PART NO	REV	RESTRICTED USAGE	PROCESS NOTES	MAT'L SPEC	SIZE (MM²)	I.D. CABLE	DIA	TYPE	A	B	C
		0.381 X 34.52		15305307	A8	RESTRICTED		M3617383 C42500 1/2 HD	2(0.35, 0.6)	226	103	4.4	3.2	2.55	
				15317765	D7			M3617383 C42500 1/2 HD	0.35-0.5	21	1.1-1.3	101	2.5	2.4	2.55
				12191889	D8	RESTRICTED	2	M3617383 C42500 1/2 HD	0.35-0.5	21	2.4-1.47	101	3.8	2.4	2.55
		0.381 X 34.52		12124731	B		1	M3617383 C42500 1/2 HD	0.5-0.8	19	2.4-1.84	101	4.4	3.2	2.55
		0.381 X 34.52		12059894	F7			M3617383 C42500 1/2 HD	0.35-0.5	21	2.4-1.47	101	3.8	2.4	2.55
		0.381 X 34.52		12047686	D			P3607ABN	0.35	22	1.86 MAX	102	3.6	2.2	2.6
12040993	J6	0.381 X 34.52	M14033B3	12047581	J7			M3617383 C42500 1/2 HD	0.5-0.8	19	2.4-1.84	101	4.4	3.2	2.55

LINE DRAWN THROUGH PART NUMBER INDICATES THAT PHYSICAL PARTS ARE NOT AVAILABLE FOR ORDERING.

PART NUMBERS THAT DO NOT HAVE A LINE PRESENT INDICATE THAT PHYSICAL PARTS ARE AVAILABLE FOR ORDERING.

CONFIRM DELPHI SALES TO ASSURE AVAILABILITY OF PARTS.

DWG TYPE: PART DRAWING

UNLESS OTHERWISE SPECIFIED THIS DOCUMENT IS IN ACCORDANCE WITH ASME Y14.5M-1994 AS MODIFIED BY THE DIMENSIONAL DIMENSIONING AND TOLERANCING ADDENDUM-2001. SEPARATE PATTERNS OF FEATURES MAY BE SHOWN SEPARATELY, IRRESPECTIVE OF DATUM REFERENCES.

ALL DIMENSIONS ARE IN MILLIMETERS

THIRD ANGLE PROJECTION

DO NOT SCALE USE MATH DATA

DELPHI
DELPHI PACKARD ELECTRICAL/ELECTRONIC ARCHITECTURE

WARREN, OH
COPYRIGHT 1996 DELPHI CORPORATION AND/OR ITS AFFILIATES. ALL RIGHTS RESERVED. REVISED 05/11

THIS DRAWING IS THE PROPERTY OF DELPHI CORPORATION AND CONTAINS DELPHI CONFIDENTIAL INFORMATION. THE REPRODUCTION, DISTRIBUTION AND UTILIZATION OF THIS DOCUMENT OR ITS CONTENTS OR DATA, AS WELL AS COMMUNICATION OF ANY CONTENT TO OTHERS, WITHOUT EXPRESS AUTHORIZATION, IS PROHIBITED.

DATE: 22NO96
OR: W. TURNBULL
APV02: W. TURNBULL
APV03: M. CHUPAK
APV04:

SUBSTANCES OF CONCERN AND RECYCLED CONTENT, PER DELPHI (0944901)

DRAWING NAME: TAXI TERM M/W/P 150

DRAWING NUMBER: 12040995

SIZE: A0
SCALE: 10:1
FRAME NO: 1 OF 1
SHEET NO: 1 OF 3
REV: R
N/P: 09

X-ON Electronics

Largest Supplier of Electrical and Electronic Components

Click to view similar products for [Automotive Connectors](#) category:

Click to view products by [Delphi](#) manufacturer:

Other Similar products are found below :

[003-018-000](#) [600858](#) [60403001](#) [60993906-B](#) [60993913-B](#) [629515004020001](#) [M902-2131](#) [M902-2161](#) [M902-2344](#) [72.330.1035.1](#)
[73.353.4028.0](#) [F118010](#) [F119300-B](#) [F132210](#) [F132210-B](#) [F166900](#) [F180100](#) [F258300](#) [F258300-B](#) [F294300-B](#) [F339100](#) [F339700](#) [F358300-](#)
[B](#) [F374110](#) [F407400](#) [F412210](#) [F427600](#) [F444110](#) [F487000](#) [F495100-B](#) [F500900-B](#) [F509500B-B](#) [770444-1](#) [776880-1](#) [827153-1](#) [881735-1](#)
[8N1515-32-24P](#) [9-1326729-8](#) [925467-1](#) [925474-1](#) [928905-1](#) [936398-2](#) [964562-1](#) [964562-4](#) [964731-2](#) [965051-1](#) [968782-1](#) [GT17SA-8DS-](#)
[HU](#) [GT17VS-10DP-5.2CF](#) [98315-0001](#)