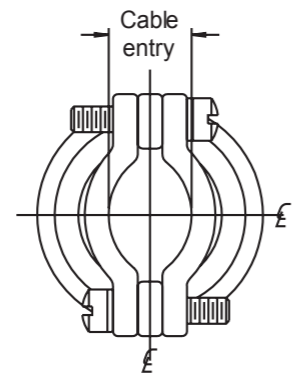
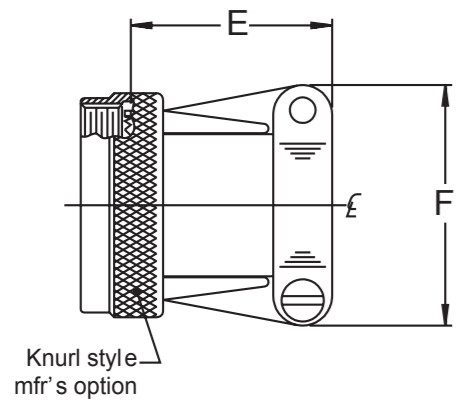


FOR REFERENCE ONLY

REVISIONS		
REV.	DESCRIPTION	DATE
A	09-001: Strain relief clamp adapter	2016



**SBU P/N** 09 A1 001 S 16 CN

**PRODUCT SERIES** \_\_\_\_\_

**CONNECTOR DESIGNATOR (Table I)** \_\_\_\_\_

**BASIC PART NUMBER** \_\_\_\_\_

**CONFIGURATION ANGLE** \_\_\_\_\_  
**A = 45°**  
**R = 90°**  
**S = STRAIGHT**

**SHELL SIZE (Table III)** \_\_\_\_\_

**FINISH CODE (Table II)** \_\_\_\_\_

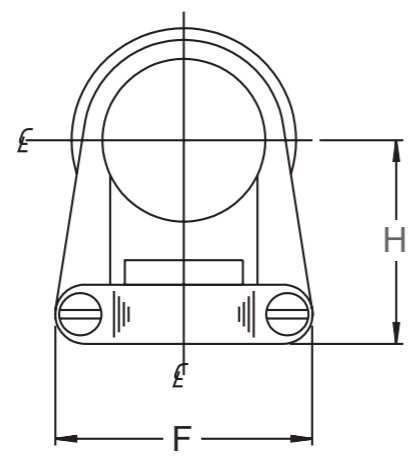
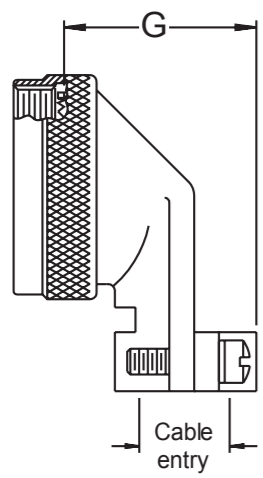
This Stamp was applied by Esterline Technologies Corporation

**NOT EXPORT CONTROLLED**

THIS DOCUMENT DOES NOT CONTAIN TECHNICAL DATA OR TECHNOLOGY SUBJECT TO THE INTERNATIONAL TRAFFIC IN ARMS REGULATIONS (ITAR) OR U.S. EXPORT ADMINISTRATION REGULATIONS (EAR).

160505

This Stamp was applied by Esterline Technologies Corporation



**Table III**

Connector designator		E		F		G		H		Cable entry			
Shellsize		max dimension		max dimension		max dimension		max dimension		min closed	max open		
F3	F4												
08	09	0.910	(23.1)	0.850	(21.6)	1.160	(29.5)	1.000	(25.4)	0.098	(2.5)	0.234	(5.9)
10	11	0.910	(23.1)	0.900	(22.9)	1.160	(29.5)	1.100	(27.9)	0.153	(3.9)	0.234	(5.9)
12	13	1.010	(25.7)	1.100	(27.9)	1.240	(31.5)	1.100	(27.9)	0.190	(4.8)	0.328	(8.3)
14	15	1.060	(26.9)	1.150	(29.2)	1.410	(35.8)	1.250	(31.8)	0.260	(6.6)	0.457	(11.6)
16	17	1.160	(29.5)	1.300	(33.0)	1.580	(40.1)	1.300	(33.0)	0.283	(7.2)	0.614	(15.6)
18	19	1.410	(35.8)	1.500	(38.1)	1.600	(40.6)	1.350	(34.3)	0.325	(8.3)	0.634	(16.1)
20	21	1.510	(38.4)	1.600	(40.6)	1.680	(42.7)	1.600	(40.6)	0.343	(8.7)	0.698	(17.7)
22	23	1.660	(42.2)	1.700	(43.2)	1.820	(46.2)	1.750	(44.5)	0.381	(9.7)	0.823	(20.9)
24	25	1.760	(44.7)	1.800	(45.7)	1.930	(49.0)	1.850	(47.0)	0.418	(10.6)	0.853	(21.7)

**Table I**

Connector range	Connector designator
AS81703 Series III	A1
BACC63 CT/CU/DB/DC	F4
EN2997	A1
EN3645	F4
EN3646	A1
ESC 10 & 11	A1
MIL-C-38999 Series I & II	F3
MIL-C-38999 Series III & IV	F4
MIL-DTL-26482 Series II	A1
MIL-DTL-5015	A1
Mil-DTL-83723 series I & III	A1
Other	Please consult us

**Table II**

Finish	Associated code
Aluminum / Cadmium olive drab	C
Aluminum / Cadmium over Electroless Nickel	CN
Aluminum / Electroless Nickel	N
Aluminum / Black Zinc Nickel	ZF
Aluminum / Teflon Nickel	FN
Aluminum / Black Anodize	AB
Stainless steel / Passivate	P
Other	Please consult us

**Connector designator**

Shellsize	E	F	G	H	Cable entry							
	max dimension		max dimension		max dimension							
A1					min closed	max open						
08	0.630	(16.0)	0.752	(19.1)	0.780	(19.8)	0.808	(20.5)	0.125	(3.2)	0.204	(5.2)
10	0.740	(18.8)	0.832	(21.1)	0.860	(21.8)	0.867	(22.0)	0.187	(4.7)	0.286	(7.3)
12	0.860	(21.8)	0.988	(25.1)	1.050	(26.7)	0.929	(23.6)	0.291	(7.4)	0.416	(10.6)
14	0.860	(21.8)	1.046	(26.6)	1.110	(28.2)	0.992	(25.2)	0.351	(8.9)	0.476	(12.1)
16	1.000	(25.4)	1.319	(33.5)	1.260	(32.0)	1.056	(26.8)	0.501	(12.7)	0.625	(15.9)
18	1.240	(31.5)	1.451	(36.9)	1.370	(34.8)	1.233	(31.3)	0.518	(13.2)	0.706	(17.9)
20	1.360	(34.5)	1.557	(39.5)	1.500	(38.1)	1.296	(32.9)	0.581	(14.8)	0.831	(21.1)
22	1.490	(37.8)	1.653	(42.0)	1.620	(41.1)	1.358	(34.5)	0.644	(16.4)	0.956	(24.3)
24	1.610	(40.9)	1.775	(45.1)	1.750	(44.5)	1.420	(36.1)	0.706	(17.9)	1.081	(27.5)
28	1.760	(44.7)	2.020	(51.3)	1.890	(48.0)	1.634	(41.5)	0.750	(19.1)	1.187	(30.1)

**Notes**

Metric dimensions are shown in parentheses for reference only.

Cable entry is defined as the envelope area of the cable or wire bundle. It is not intended for inspection criteria.

Tolerance  
 Unless otherwise specified:  
 .X ± .060 (1.5)  
 .XX ± .030 (0.8)  
 .XXX ± .015 (0.4)  
 Angles ± 5 degrees

**SUNBANK**

Strain relief clamp adapter

## X-ON Electronics

Largest Supplier of Electrical and Electronic Components

*Click to view similar products for [Circular MIL Spec Strain Reliefs & Adapters](#) category:*

*Click to view products by [Sunbank](#) manufacturer:*

Other Similar products are found below :

[896227-000](#) [899170S004](#) [6000-063-0022](#) [613751-000](#) [CS6624-000](#) [620AB038Z136](#) [620AS001Z108](#) [620AS038Z112](#) [620AS038Z120](#)  
[620AS038Z132](#) [620FB038NF08](#) [620HA038NF13](#) [620HA038NF25](#) [620HA042XM13](#) [620HB049NF17](#) [620HS011NF21](#) [620HS038NF11](#)  
[620HS038Z121](#) [620HS042XM19](#) [620HS042XM25](#) [620HS042XW13](#) [620HS048B17](#) [620MS064NF09](#) [620MS064NF12](#) [620MS065M12](#)  
[620MS065Z107](#) [620MS065ZNU06](#) [630J041M06H](#) [630J041M20H](#) [637S010NF0212H](#) [640830-000](#) [659943-000](#) [66241-10A](#) [CW0597-000](#)  
[CW0598-000](#) [CW0948-000](#) [CY0122-000](#) [M85049/41-6A W/B](#) [M85049/42-12DS](#) [M85049/47N8](#) [M85049/47W18](#) [M85049/51-1-14S](#)  
[M85049/51-1-8W](#) [M85049/51S16S](#) [M85049/60-1N16](#) [M85049/60-2G12W](#) [M85049/69-11N](#) [CZ3661-000](#) [D02922-000](#) [70.360.1628.0](#)