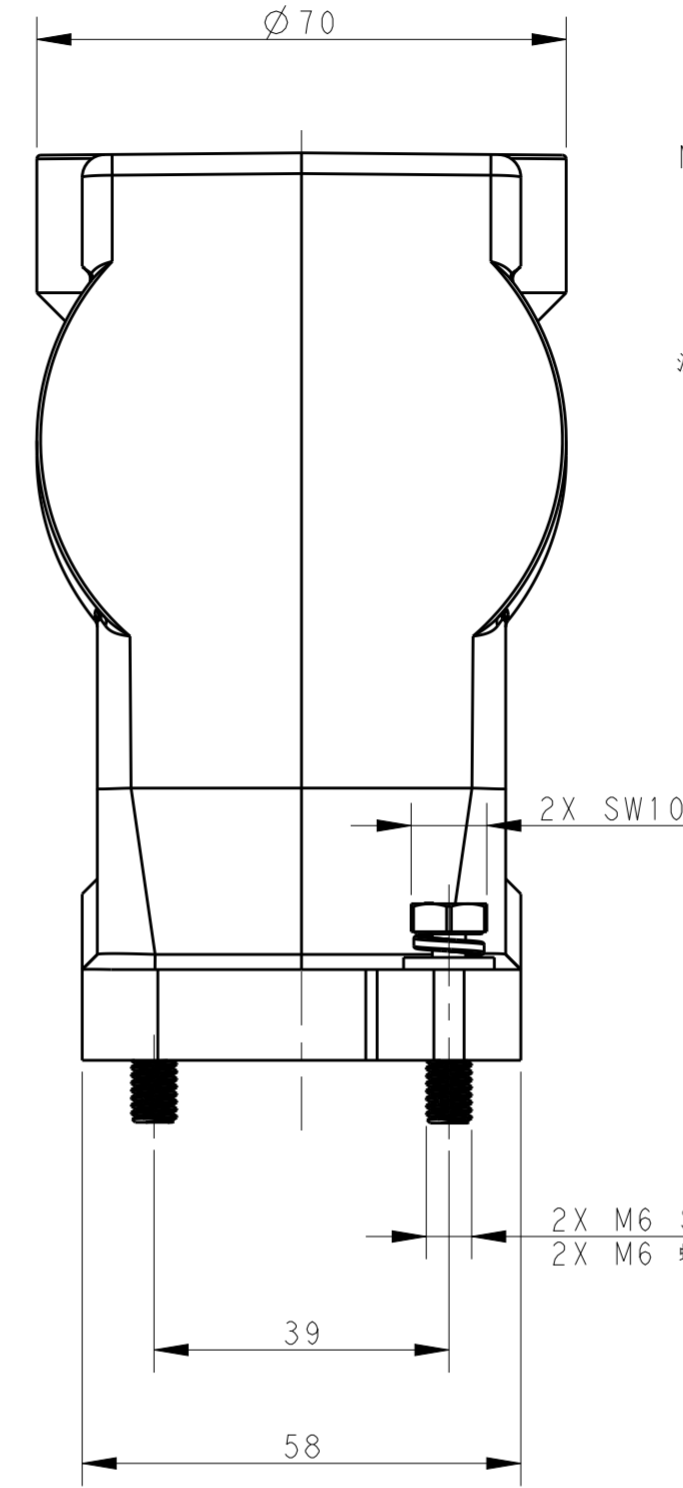
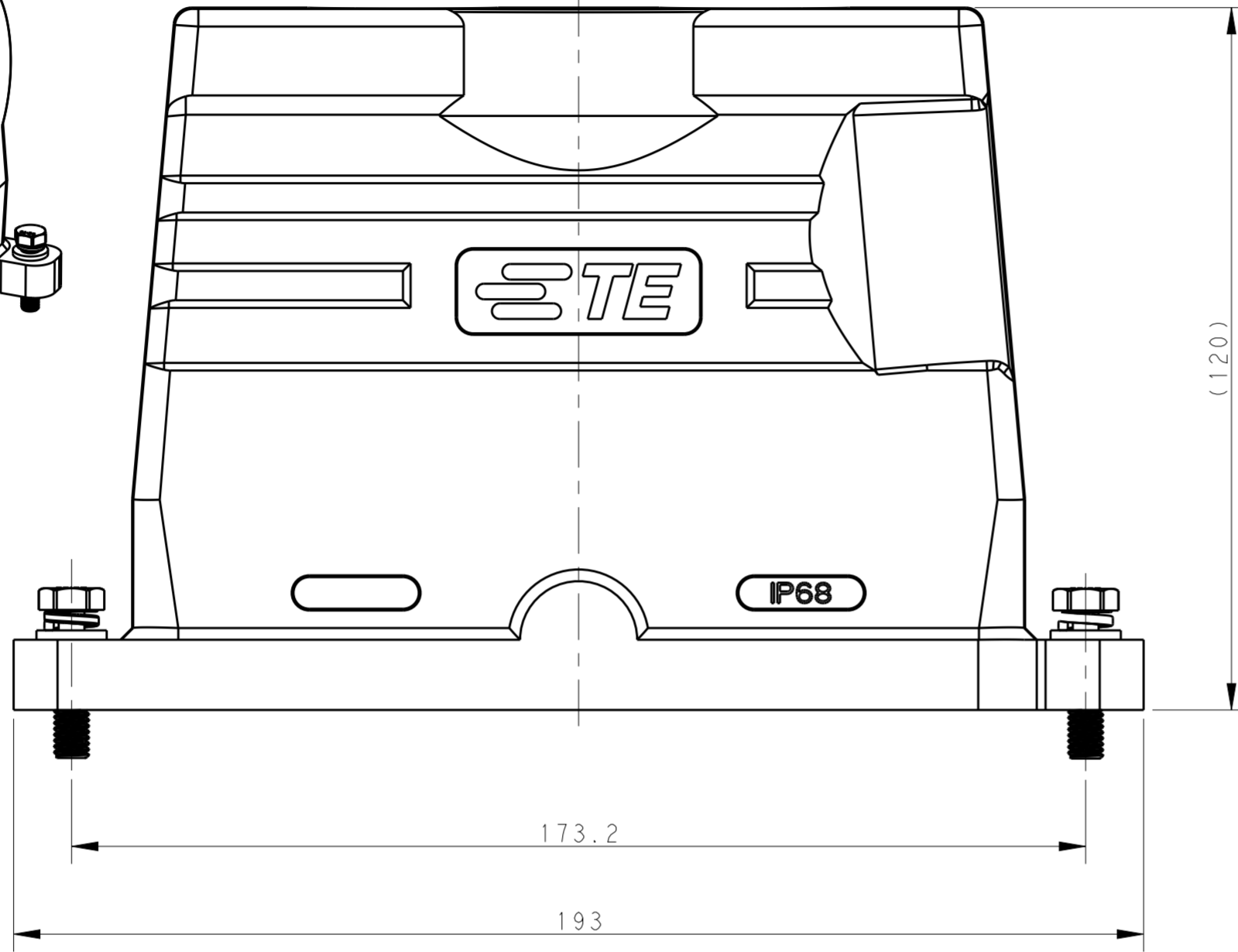
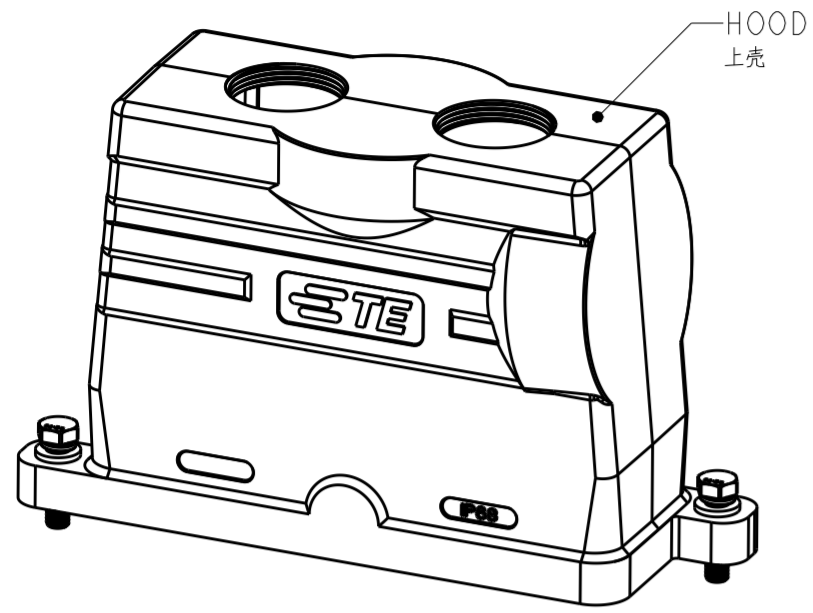


THIS DRAWING IS UNPUBLISHED. RELEASED FOR PUBLICATION 20
 © COPYRIGHT 20 BY - ALL RIGHTS RESERVED.

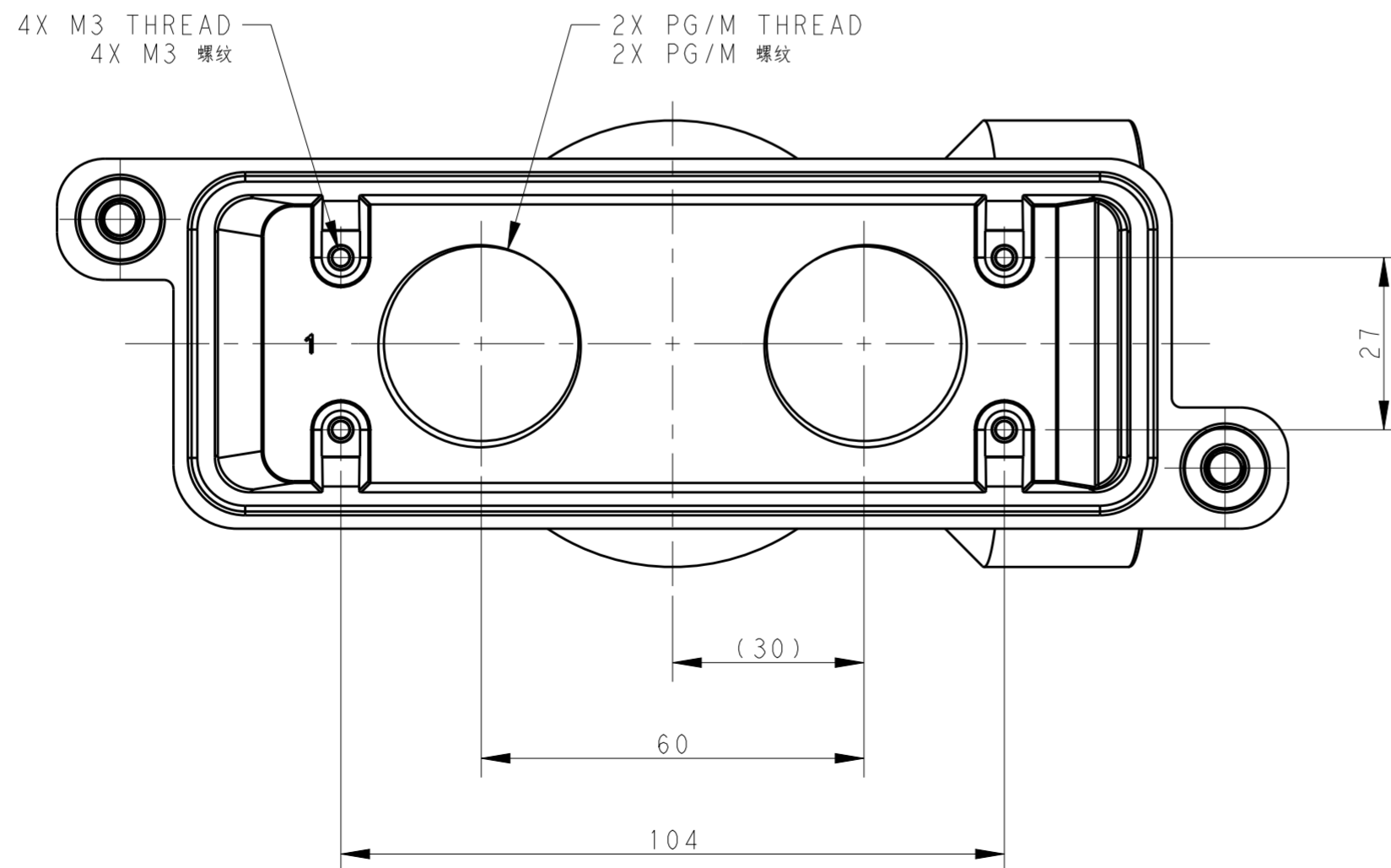
REVISIONS				
P	LTR	DESCRIPTION	DATE	APVD
A		INITIAL RELEASE	24FEB2017	DW CW

TYPE 1: TWO TOP ENTRY
 类型 1: 顶部两个出线孔



NOTES:
 1. TECHNICAL CHARACTERISTICS:
 HOOD MATERIAL: DIE CAST ALUMINIUM ALLOY
 HOOD SURFACE: POWDER COATED, BLACK
 DEGREE OF PROTECTION: IP68 (MATED)

注释:
 1. 技术参数:
 上壳材料: 铝合金
 上壳表面处理: 黑色粉末喷涂
 防护等级: IP68 (配合)



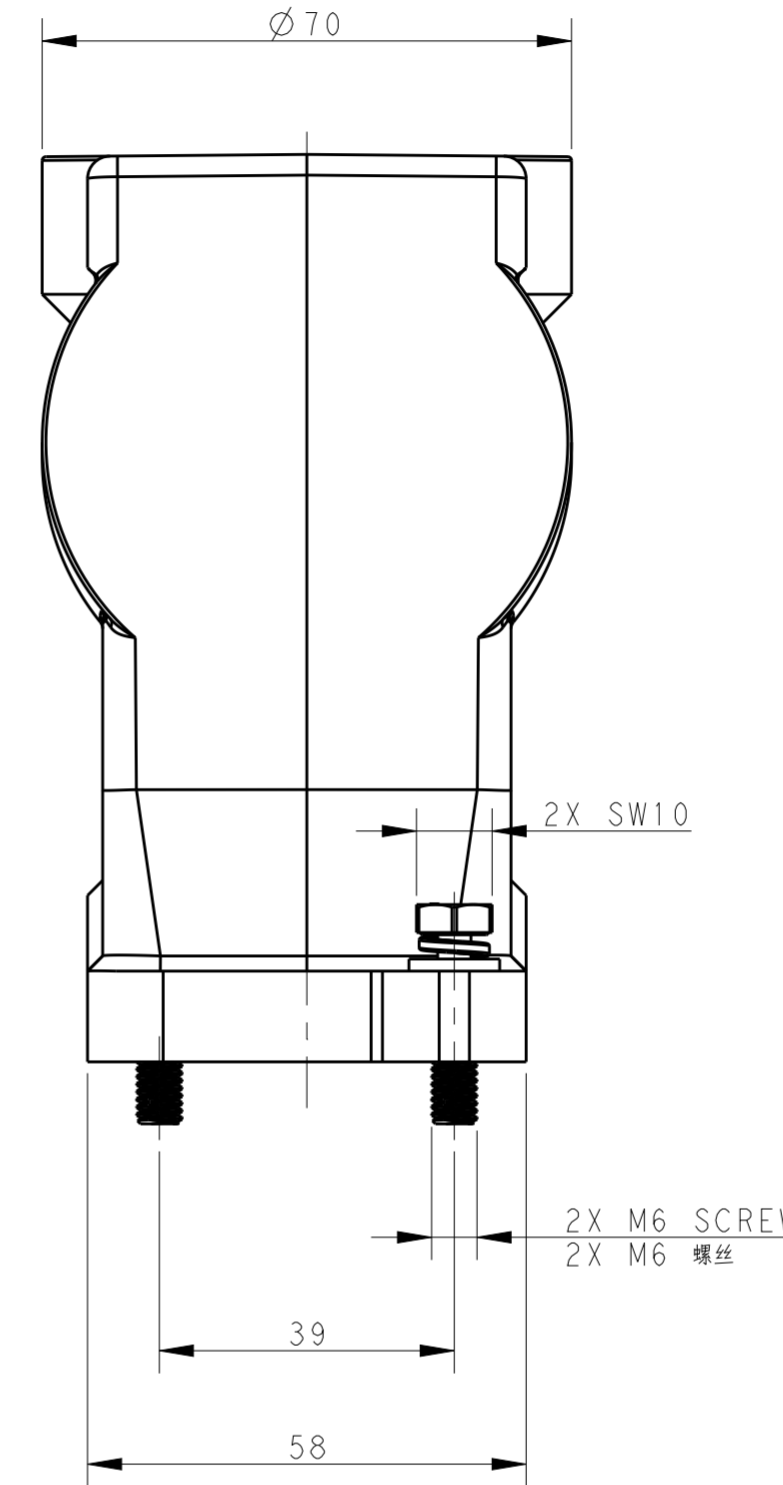
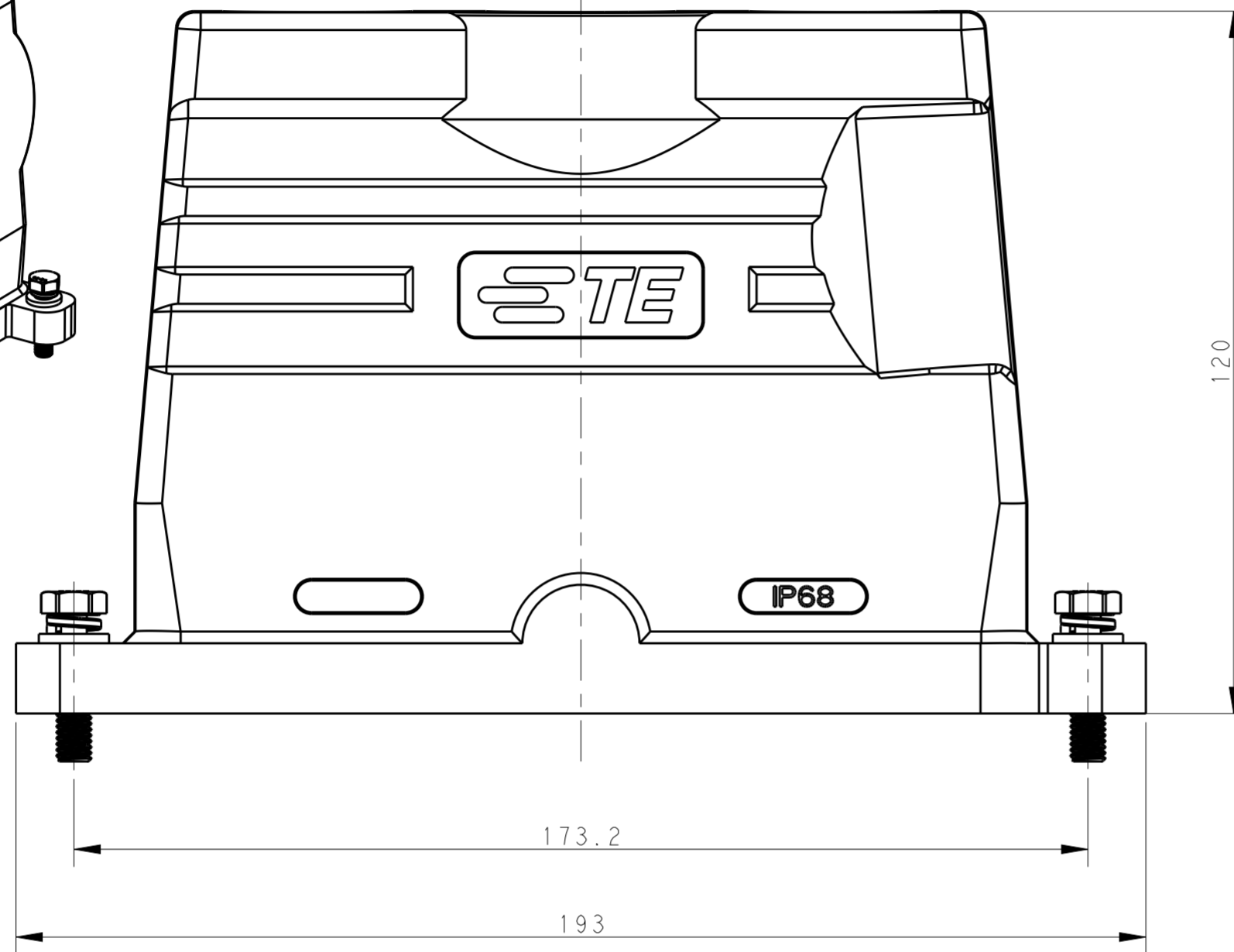
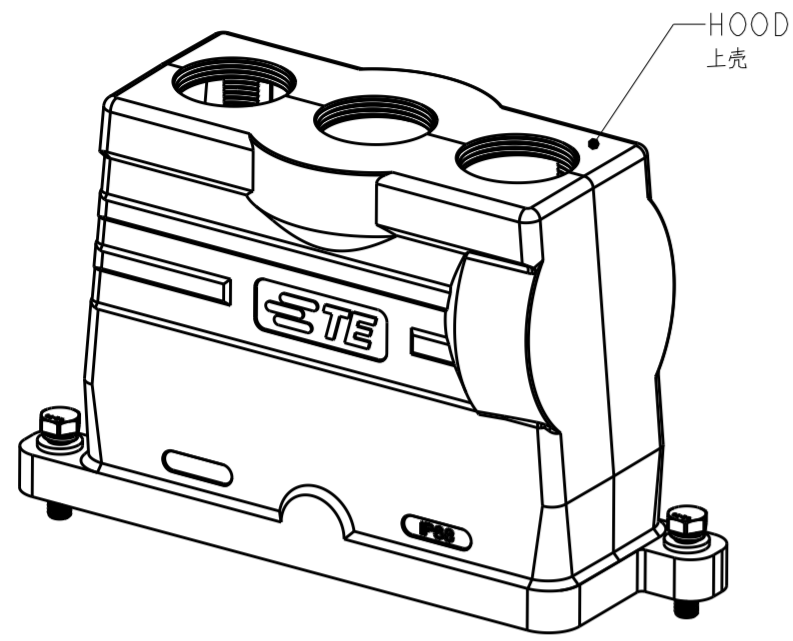
T1920240225-109	H24BPR-TGH-XL-2M25-EMC-C	H24BPR HEIGHTEN HOOD, DIAGONAL LOCKING, TOP ENTRY 2M25, POWDER COATED, BLACK H24BPR加高上壳, 对角锁定, 顶出2M25, 黑色粉末喷涂	M25
T1920240232-109	H24BPR-TGH-XL-2M32-EMC-C	H24BPR HEIGHTEN HOOD, DIAGONAL LOCKING, TOP ENTRY 2M32, POWDER COATED, BLACK H24BPR加高上壳, 对角锁定, 顶出2M32, 黑色粉末喷涂	M32
T1920240240-109	H24BPR-TGH-XL-2M40-EMC-C	H24BPR HEIGHTEN HOOD, DIAGONAL LOCKING, TOP ENTRY 2M40, POWDER COATED, BLACK H24BPR加高上壳, 对角锁定, 顶出2M40, 黑色粉末喷涂	M40
PART NUMBER 料号	PART DESCRIPTION 描述		2X PG/M THREAD 2X PG/M 螺纹孔

THIS DRAWING IS A CONTROLLED DOCUMENT.		DWN 24FEB2017 DAVID WANG	STE TE Connectivity	
		CHK 24FEB2017 CHIRS WANG		
DIMENSIONS: mm		APVD 24FEB2017 XIANG XU	NAME H24BPR-TGH-XL-XMXX-EMC-C	
TOLERANCES UNLESS OTHERWISE SPECIFIED:		PRODUCT SPEC 108-137191	SIZE A2	
0 PLC ±		APPLICATION SPEC 114-137191	CAGE CODE -	
1 PLC ±		WEIGHT -	DRAWING NO G-T1920240XXX109	
2 PLC ±		CUSTOMER DRAWING	RESTRICTED TO -	
3 PLC ±		SCALE 1:1	SHEET 1 OF 3	
4 PLC ±			REV A	
ANGLES ±				
FINISH -				

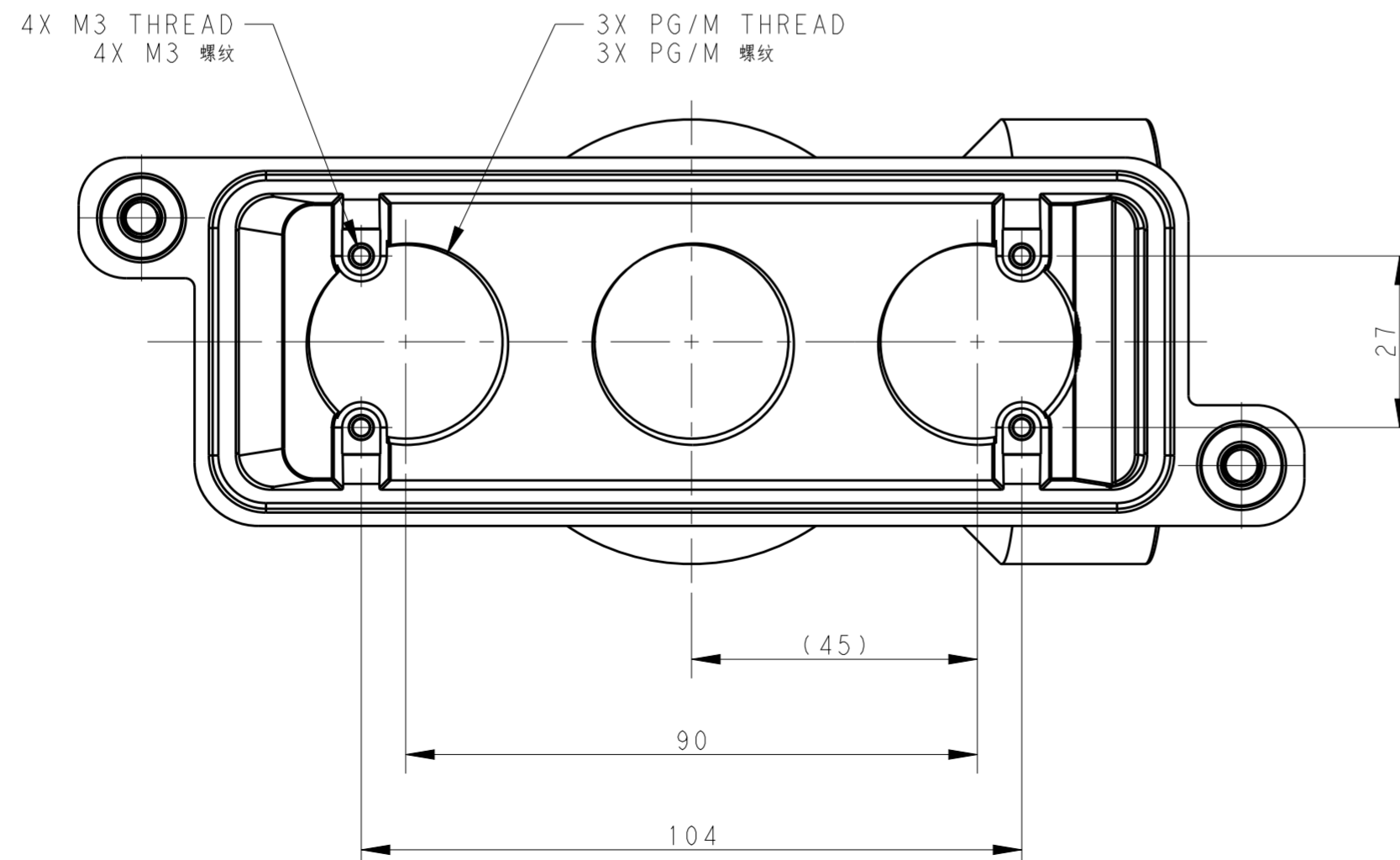
THIS DRAWING IS UNPUBLISHED. RELEASED FOR PUBLICATION 20
 © COPYRIGHT 20 BY - ALL RIGHTS RESERVED.

REVISIONS				
P	LTR	DESCRIPTION	DATE	APVD
-	-	SEE SHEET 1	-	-

TYPE 2: THREE TOP ENTRY
 类型2: 顶部三个出线孔



NOTE:
SEE SHEET 1



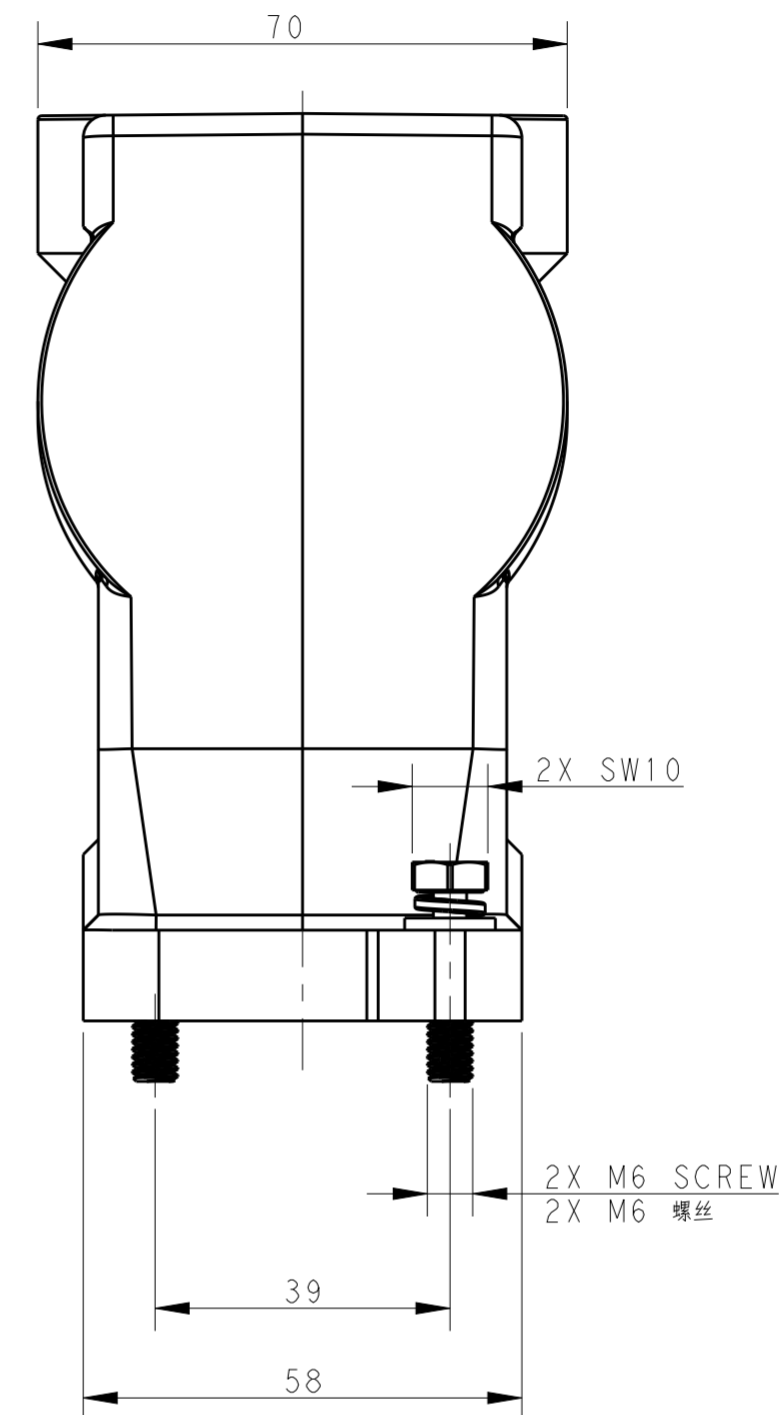
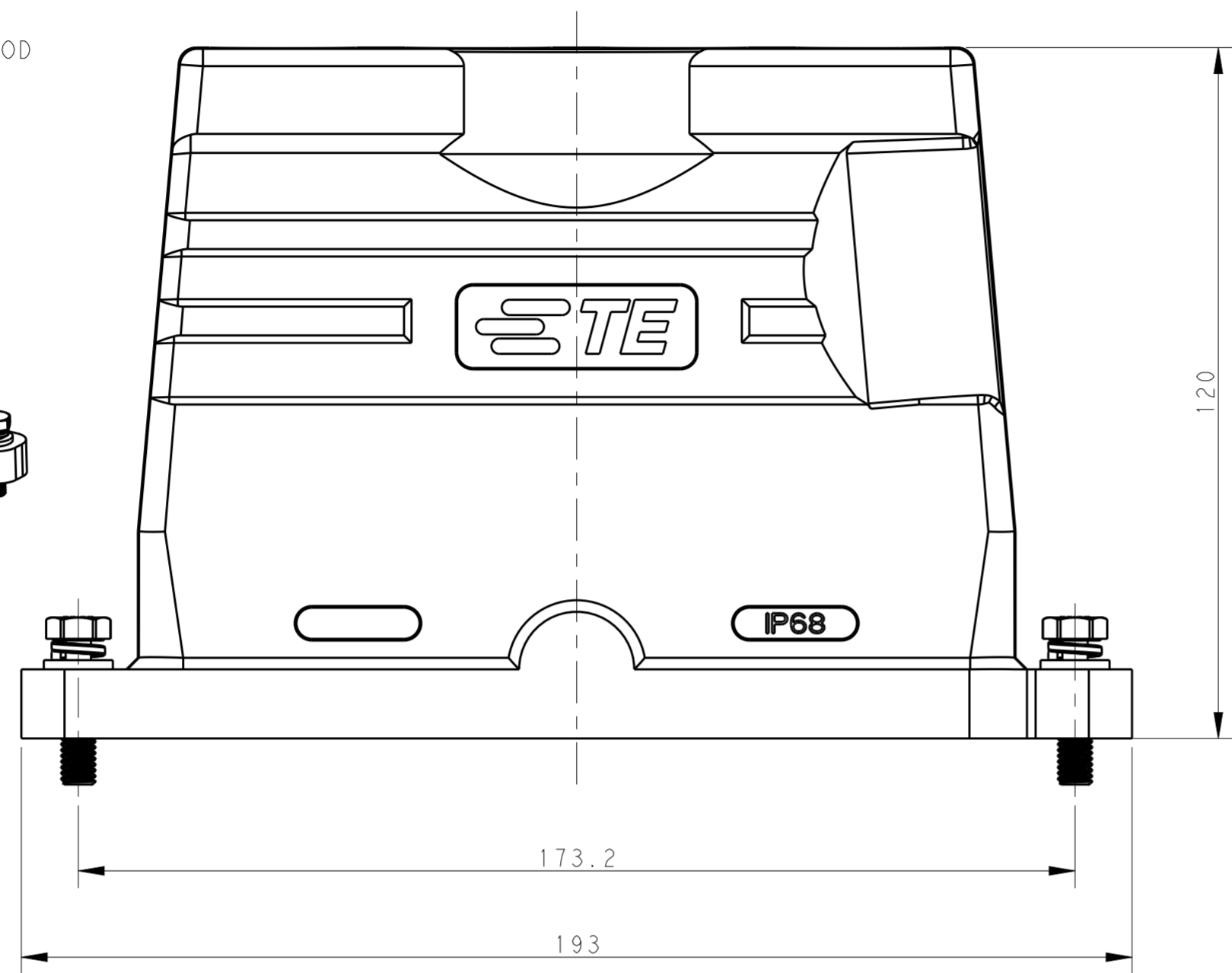
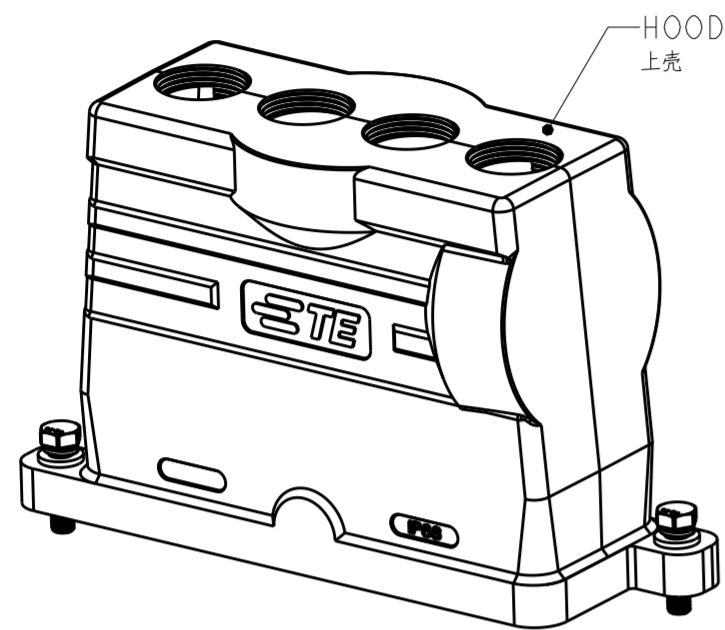
T1920240325-109	H24BPR-TGH-XL-3M25-EMC-C	H24BPR HEIGHTEN HOOD, DIAGONAL LOCKING, TOP ENTRY 3M25, POWDER COATED, BLACK H24BPR 加高上壳, 对角锁定, 顶出3M25, 黑色粉末喷涂	M25
T1920240332-109	H24BPR-TGH-XL-3M32-EMC-C	H24BPR HEIGHTEN HOOD, DIAGONAL LOCKING, TOP ENTRY 3M32, POWDER COATED, BLACK H24BPR 加高上壳, 对角锁定, 顶出3M32, 黑色粉末喷涂	M32
PART NUMBER 料号	PART DESCRIPTION 描述		3X PG/M THREAD 3X PG/M 螺纹孔

THIS DRAWING IS A CONTROLLED DOCUMENT.		DWN 24FEB2017 DAVID WANG	STE TE Connectivity	
		CHK 24FEB2017 CHIRS WANG		
		APVD 24FEB2017 XIANG XU	NAME H24BPR-TGH-XL-XMXX-EMC-C	
DIMENSIONS: mm		PRODUCT SPEC 108-137191	SIZE A2	
TOLERANCES UNLESS OTHERWISE SPECIFIED:		APPLICATION SPEC 114-137191	CAGE CODE -	DRAWING NO. C-T1920240XXX109
0 PLC ±		WEIGHT -	RESTRICTED TO -	
1 PLC ±		CUSTOMER DRAWING		
2 PLC ±		SCALE 1:1		
3 PLC ±		SHEET 2 OF 3		
4 PLC ±		REV A		
ANGLES ±				
FINISH -				

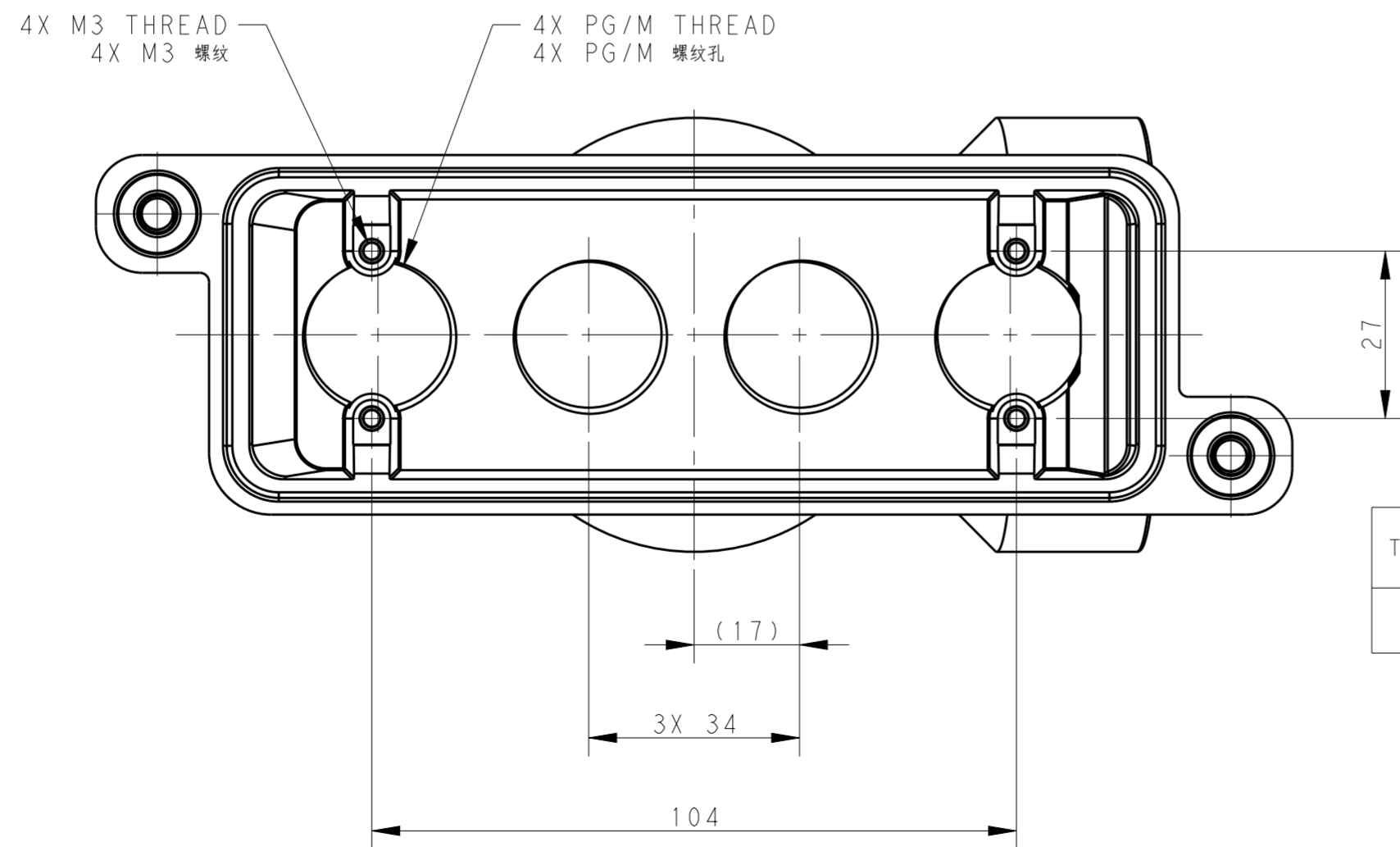
THIS DRAWING IS UNPUBLISHED. RELEASED FOR PUBLICATION 20
 © COPYRIGHT 20 BY - ALL RIGHTS RESERVED.

REVISIONS				
P	LTR	DESCRIPTION	DATE	APVD
-	-	SEE SHEET 1	-	-

TYPE 3: FOUR TOP ENTRY
 类型3: 顶部四个出线孔



NOTE:
SEE SHEET 1



T1920240425-109	H24BPR-TGH-XL-4M25-EMC-C	H24BPR HEIGHTEN HOOD, DIAGONAL LOCKING, TOP ENTRY 4M25, POWDER COATED, BLACK H24BPR 加高上壳, 对角锁定, 顶出4M25, 黑色粉末喷涂	M25
PART NUMBER 料号	PART DESCRIPTION 描述		4X PG/M THREAD 4X PG/M 螺纹孔

THIS DRAWING IS A CONTROLLED DOCUMENT.		DWN 24FEB2017 DAVID WANG	STE TE Connectivity	
		CHK 24FEB2017 CHIRS WANG		
		APVD 24FEB2017 XIANG XU	NAME H24BPR-TGH-XL-XMXX-EMC-C	
DIMENSIONS: mm		PRODUCT SPEC 108-137191	SIZE A2	
TOLERANCES UNLESS OTHERWISE SPECIFIED:		APPLICATION SPEC 114-137191	CAGE CODE -	
0 PLC ±-		WEIGHT -	DRAWING NO. C-T1920240XXX109	
1 PLC ±-		RESTRICTED TO -		
2 PLC ±-		SCALE 1:1		
3 PLC ±-		SHEET 3 OF 3		
4 PLC ±-		REV A		
ANGLES ±-		CUSTOMER DRAWING		
FINISH -				

X-ON Electronics

Largest Supplier of Electrical and Electronic Components

Click to view similar products for [Heavy Duty Power Connectors](#) category:

Click to view products by [TE Connectivity](#) manufacturer:

Other Similar products are found below :

[1424439](#) [1424438](#) [09330062652](#) [2-8675P1](#) [605601-1](#) [6340G1](#) [6341G1](#) [6360G1](#) [6373G1](#) [6374g2](#) [6396G1](#) [647757-1](#) [66394-4](#) [6643411-1](#)
[6646058-2](#) [6646137-1](#) [6646138-1](#) [6646348-1](#) [6646479-1](#) [6646608-1](#) [6646786-1](#) [6646940-1](#) [6651091-1](#) [6651525-1](#) [6651529-1](#) [6651778-1](#)
[6651788-1](#) [696465-1](#) [696475-1](#) [73000005059](#) [73000005349](#) [73000005642](#) [73080255059](#) [73080965046](#) [765-15-0080A](#) [765-16-0080B](#)
[789.700-44](#) [789.700-54](#) [80-1010](#) [80-9](#) [827381-1](#) [829992-1](#) [902-77-02113](#) [PL00U-301-10D10](#) [PM103MOOLOO](#) [PM16S1620S32-50](#)
[PM212MOOLOO](#) [PM309FOOLOO](#) [PM324FOOLCH](#) [PMHPAF11S03](#)