

THIS DRAWING IS UNPUBLISHED.

RELEASED FOR PUBLICATION

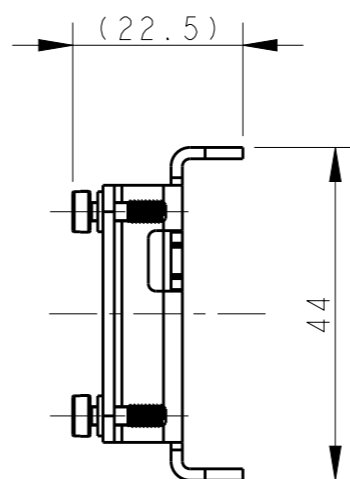
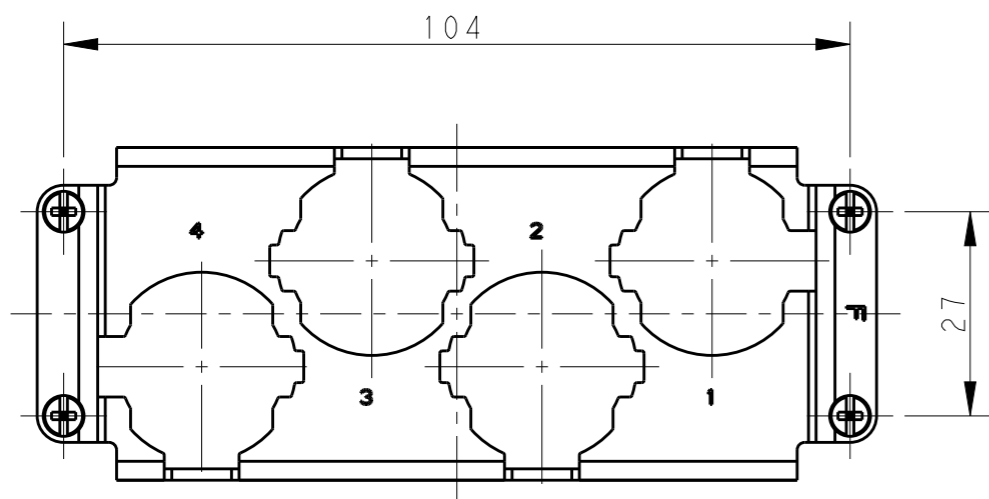
20

© COPYRIGHT 20 BY -

ALL RIGHTS RESERVED.

REVISIONS

P	LTR	DESCRIPTION	DATE	DWN	APVD
	A	INITIAL	11APR2017	BS	CW



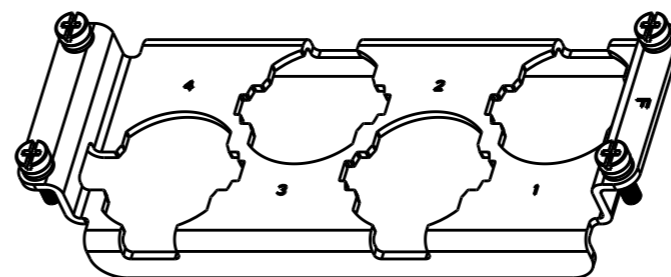
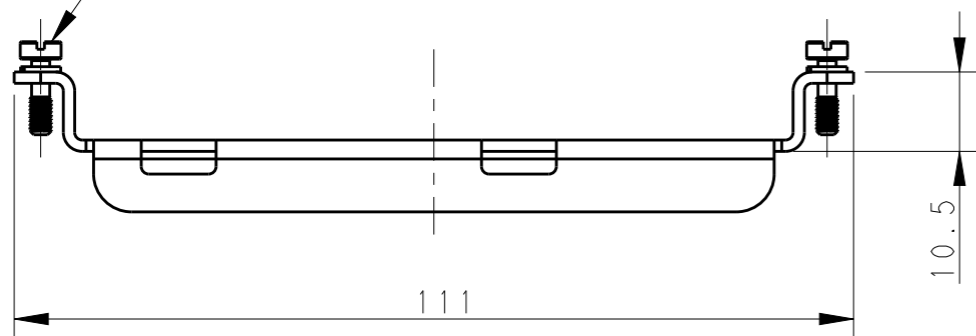
NOTES:

TECHNICAL CHARACTERISTICS:
 FRAME MATERIAL: STAINLESS STEEL
 NUMBER OF MODULES: 4

注释:

技术参数:
 框架材料: 不锈钢
 模块数量: 4

4X M3 SCREW
 RECOMMENDED TIGHTENING
 TORQUE 0.5Nm
 4X M3螺丝, 推荐扭力矩为0.5Nm



T0924049044-200

H24BPR-4P-250-F-FRAME

H24BPR-4P-250 FEMALE FRAME
 H24BPR-4P-250 母框架

PART NUMBER
 料号

PART DESCRIPTION
 描述

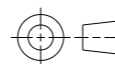
THIS DRAWING IS A CONTROLLED DOCUMENT.

DWN BELL SU 11APR2017
 CHK GINO YAO 11APR2017
 APVD CHRIS WANG 11APR2017

NAME H24BPR-4P-250-F-FRAME



DIMENSIONS: mm



TOLERANCES UNLESS OTHERWISE SPECIFIED:
 0 PLC ±-
 1 PLC ±-
 2 PLC ±-
 3 PLC ±-
 4 PLC ±-
 ANGLES ±-

PRODUCT SPEC -
 APPLICATION SPEC -
 WEIGHT -

MATERIAL -

FINISH -

SIZE A3 CAGE CODE - DRAWING NO. T0924049044200 RESTRICTED TO -

CUSTOMER DRAWING

SCALE 1:1 SHEET 1 OF 1 REV A

X-ON Electronics

Largest Supplier of Electrical and Electronic Components

Click to view similar products for [Heavy Duty Power Connectors](#) category:

Click to view products by [TE Connectivity](#) manufacturer:

Other Similar products are found below :

[1424439](#) [1424438](#) [09330062652](#) [2-8675P1](#) [605601-1](#) [6340G1](#) [6341G1](#) [6360G1](#) [6373G1](#) [6374g2](#) [6396G1](#) [647757-1](#) [66394-4](#) [6643411-1](#)
[6646058-2](#) [6646137-1](#) [6646138-1](#) [6646348-1](#) [6646479-1](#) [6646608-1](#) [6646786-1](#) [6646940-1](#) [6651091-1](#) [6651525-1](#) [6651529-1](#) [6651778-1](#)
[6651788-1](#) [696465-1](#) [696475-1](#) [73000005059](#) [73000005349](#) [73000005642](#) [73080255059](#) [73080965046](#) [765-15-0080A](#) [765-16-0080B](#)
[789.700-44](#) [789.700-54](#) [80-1010](#) [80-9](#) [827381-1](#) [829992-1](#) [902-77-02113](#) [PL00U-301-10D10](#) [PM103MOOLOO](#) [PM16S1620S32-50](#)
[PM212MOOLOO](#) [PM309FOOLOO](#) [PM324FOOLCH](#) [PMHPAF11S03](#)