

REVOLUTIONS	
REV	ECN, ERN NO.
DATE	NOV11/16
APPRD.	K.L.

ORDERING CODE: F C E 1 7 - E 0 9 P E - A 8 0 G

SERIES
FCE17=FILTERED D-SUB, ROHS

SIZE/NUMBER OF CONTACTS
E09, A15, B25, OR C37

CONNECTOR STYLE
P=PIN

TERMINATION TYPE
E=VERTICAL MOUNT PCB TAIL
S=SOCKET

FILTER CAPACITANCE
D=50 pf
B=100 pf
7=1200 pf
6=1300 pf
J=1500 pf
F=330 pf
L=2200 pf
E=2200 pf
1=470 pf
8=47000 pf
4=820 pf

REFER TO AMPHENOL CATALOGUE FOR FILTER PERFORMANCE CHARACTERISTICS

MOUNTING
2=1.20[3.05] DIA THROUGH HOLE
3=#4-40 UNC SELF-LOCKING THREAD
4=#4-40 UNC THREAD
5=#4-40 UNC THREADED STANDOFF
6=M3 x 0.5 THREAD
9=STANDOFF WITH BOARDLOCK & #4-40 THREADED JACK SOCKETS INSTALLED
A=#4-40 THREADED STANDOFF WITH BOARDLOCK
E=CODE 4 MOUNTING WITH #4-40 UNC HEX JACK SOCKETS SUPPLIED

NO DIGIT=STANDARD 15 MICRONS THICKNESS
[0.38 MICRONS] GOLD ON MATING AREA
G=50 MICRONS [1.27 MICRONS] GOLD ON MATING AREA

MODIFIER
0=STANDARD

CONTACT FINISH/GOLD THICKNESS

CONTACT FINISH/GOLD THICKNESS



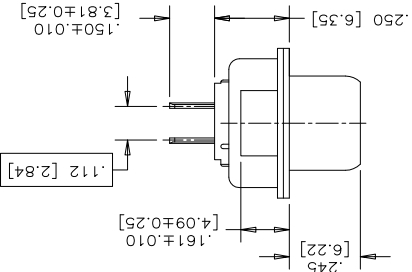
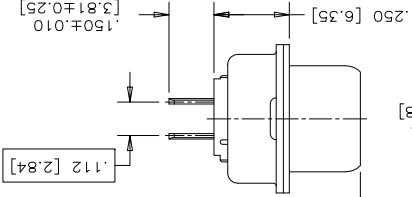
NOTES:

1. MATERIALS: ALL MATERIALS ARE ROHS COMPLIANT.

- SHELL: STEEL, TIN PLATED
- CONTACTS: PHOSPHOR BRONZE, PLATED WITH GOLD OVER 50µ" [1.27 MICRONS] MINIMUM NICKEL IN THE MATING AREA AND 100µ" [2.54 MICRONS] MINIMUM MATTE TIN ON THE TAILS
- INSULATOR: ENGINEERING THERMOPLASTIC, GLASS REINFORCED, UL FLAMMABILITY RATING 94V-0, COLOUR: BLACK
- BOARDLOCK: COPPER ALLOY, TIN PLATED
- MOUNTING HARDWARE, STEEL OR COPPER ALLOY, TIN OR NICKEL PLATED.

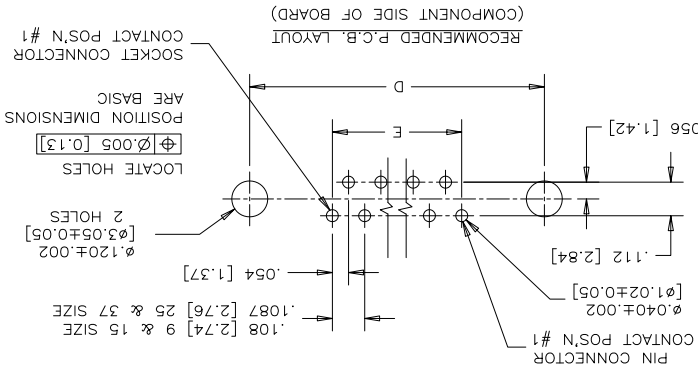
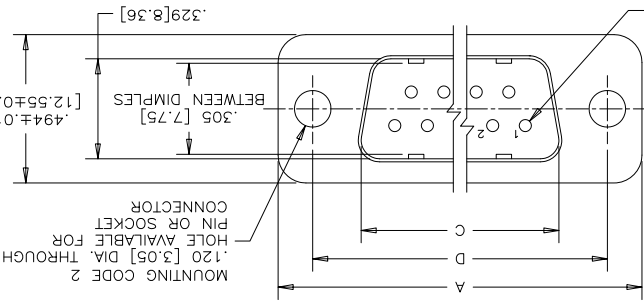
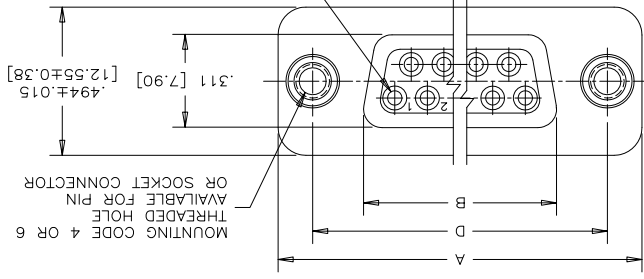
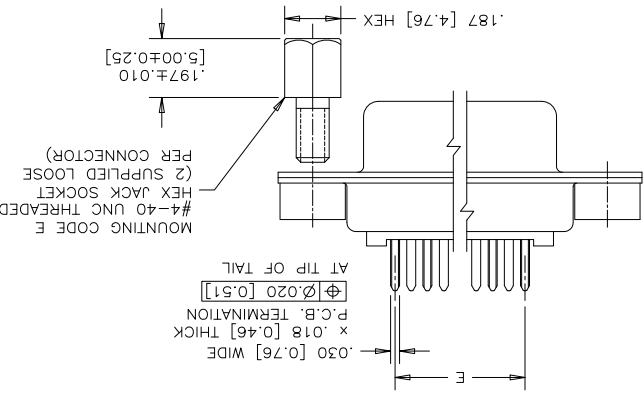
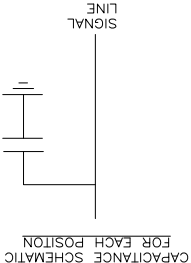
- CONTACT RESISTANCE: 15 MILLIOHMS MAXIMUM
- INSULATION RESISTANCE: 3000 MEGOHMS MINIMUM
- CURRENT RATING: 5 AMPS MAXIMUM
- OPERATING TEMPERATURE: -40C TO 85C
- TOLERANCE UNLESS INDICATED OTHERWISE: ±0.13

SIZE	STYLE	A:±.015	B:±.005	C:±.005	D:±.005	E BSC.
E09	PIN	[1.23	-.666	[16.92]	.984	432
	SOCKET	[30.81	.643	[16.33]	[24.99]	[10.97]
A15	PIN	1.541	-.994	[25.25]	1.312	.756
	SOCKET	[39.14]	.971	[24.66]	[33.32]	[19.20]
B25	PIN	2.088	---	---	1.852	1.304
	SOCKET	[53.04]	1.511	[38.38]	[47.04]	[33.12]
C37	PIN	2.729	---	---	2.500	1.956
	SOCKET	[69.32]	2.182	[54.42]	[63.50]	[49.68]



SEE SHEET #2 FOR ADDITIONAL MOUNTING OPTIONS.

SEE SHEET #3 FOR MATING FACE VIEWS.



THIS DOCUMENT CONTAINS PROPRIETARY INFORMATION AND SUCH INFORMATION MAY NOT BE DISCLOSED TO OTHERS FOR ANY PURPOSE OR USED FOR MANUFACTURING PURPOSES WITHOUT WRITTEN PERMISSION FROM AMPHENOL CANADA CORP.

AMPHENOL Canada Corp.

DATE: MNT13/05
DRAWN: K. LAMBIE
DESIGNED: _____
CHECKED: _____
TITLE: _____

DWG. DRAWING NO.: P-FCE17-XXXXE-XXOX
REV. C

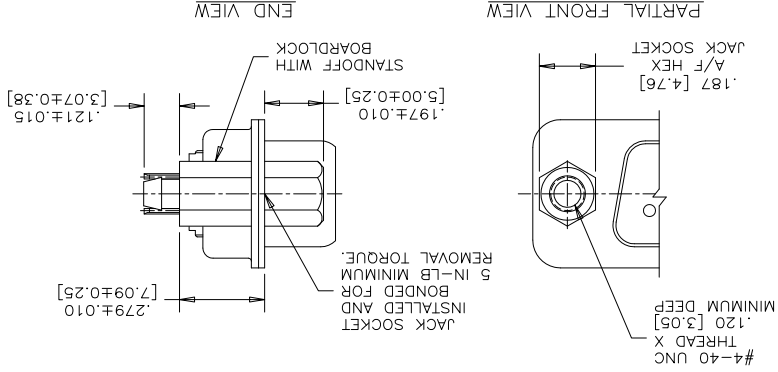
REF. EAR #12744
DIMENSIONS ARE IN INCHES [mm]
SCALE: 3/1
WT. _____
SURF. _____
SHEET 1 OF 3

THIS DOCUMENT CONTAINS PROPRIETARY INFORMATION AND SUCH INFORMATION MAY NOT BE DISCLOSED TO OTHERS FOR ANY PURPOSE OR USED FOR MANUFACTURING PURPOSES WITHOUT WRITTEN PERMISSION FROM AMPHENOL CANADA CORP.

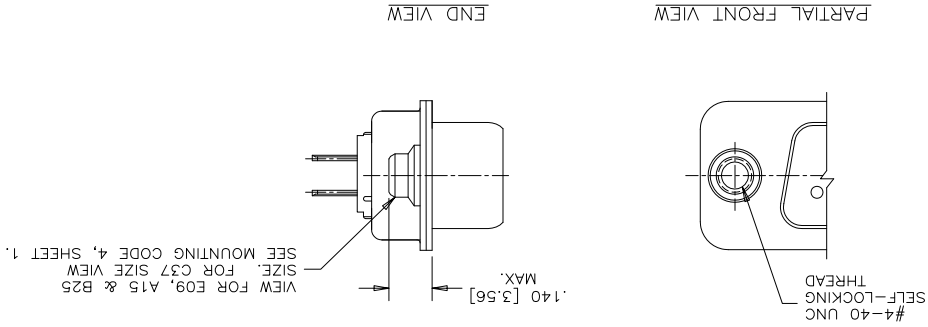


DATE	MAY13/05
DRAWN	K. LAMBIE
DESIGNED	
CHECKED	
TITLE	
DESCRIPTION	FC17 SERIES FILTERED D-SUB CONNECTOR, PIN & SOCKET, VERTICAL MOUNT PCB TAIL, VARIOUS MOUNTING OPTIONS, ROHS COMPLIANT
DWG. NO.	P-FC17-XXXXE-XXOX
REV.	C
DIMENSIONS ARE IN	INCHES [mm]
CODE ID, NO.	03554
REF.	EAR #12744
ENG. REL. NO.	
DWG. APPRD.	
Q. A. APPRD.	
I. E. APPRD.	
SCALE	3/1
WT.	
SURF.	
SHEET 2 OF 3	

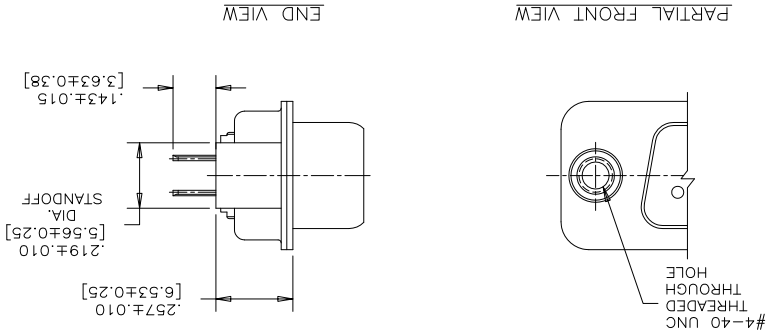
MOUNTING CODE 9



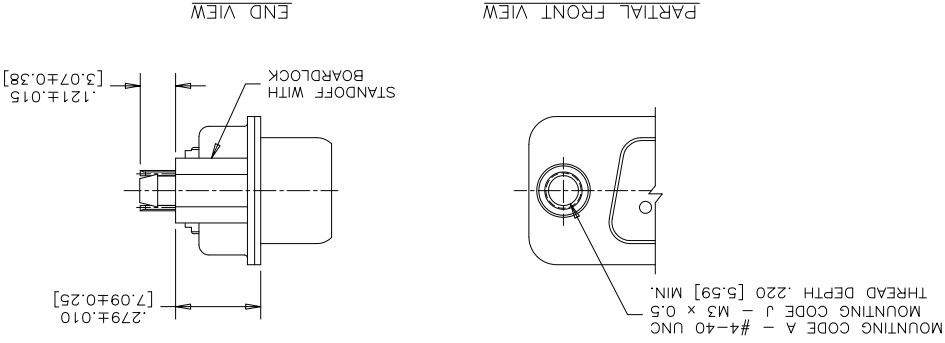
MOUNTING CODE 3



MOUNTING CODE 5



MOUNTING CODES A & J



ADDITIONAL MOUNTING OPTIONS AVAILABLE FOR PIN OR SOCKET CONNECTOR

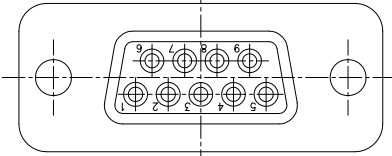
REVISIONS	
REV	ECN, ERN NO., DATE, APPRD.
C	PRODUCT DRAWING (EAR 14498) NOV11/16 K.L.

THIS DOCUMENT CONTAINS PROPRIETARY INFORMATION AND SUCH INFORMATION
MAY NOT BE DISCLOSED TO OTHERS FOR ANY PURPOSE OR USED FOR MANUFACTURING
PURPOSES WITHOUT WRITTEN PERMISSION FROM AMPHENOL CANADA CORP.

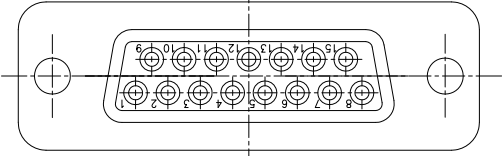


DATE	MAT13/05	DESIGNED	CHECKED	L. E. APPRD.	Q. A. APPRD.	DWG. APPRD.	ENG. REL. NO.	DWG. NO.	DWG. DRAWING NO.	C	DWG. NO.	P-FCE17-XXXXE-XXOX	REV. G
DRAWN	K. LAMBIE	DATE											
TITILE													
FCE17 SERIES FILTERED D-SUB CONNECTOR, PIN & SOCKET, VERTICAL MOUNT PCB TAIL, VARIOUS MOUNTING OPTIONS, ROHS COMPLIANT													
AMPHENOL CANADA CORP.													
DIMENSIONS ARE IN INCHES [mm]													
REF. EAR #12744													
SCALE 3/1													
SURF. ---													
SHEET 3 OF 3													

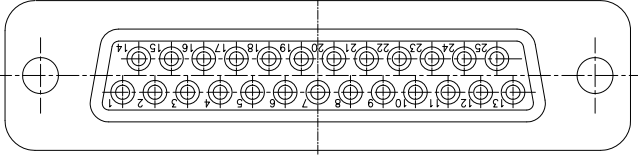
MATING FACE VIEWS
SHOWING CONTACT POSITION NUMBERS



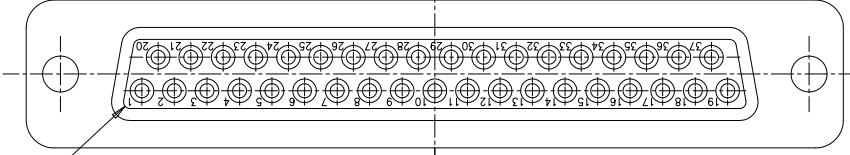
9 SIZE
SOCKET



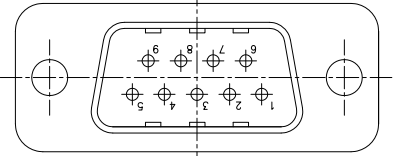
15 SIZE
SOCKET



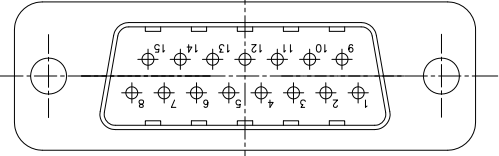
25 SIZE
SOCKET



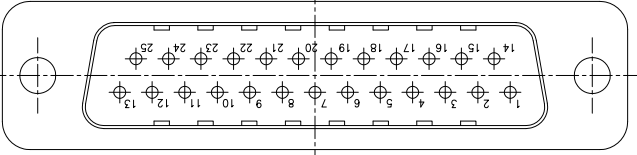
37 SIZE
SOCKET



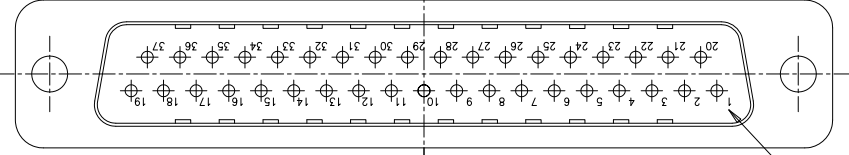
9 SIZE
PIN



15 SIZE
PIN



25 SIZE
PIN



37 SIZE
PIN

X-ON Electronics

Largest Supplier of Electrical and Electronic Components

Click to view similar products for [D-Sub Standard Connectors](#) category:

Click to view products by [Amphenol](#) manufacturer:

Other Similar products are found below :

[DCM37S732N](#) [DAM15P500](#) [DEV09S364GTLF](#) [DEM09P032N](#) [DDM50P732N](#) [DAM15S332N](#) [173109-2218](#) [173109-2466](#) [173109-2436](#)
[173109-2435](#) [56F706-005-LI](#) [56F711-015](#) [015-0341-000](#) [015-0372-008](#) [015-8544-011](#) [017041-0005](#) [020419-0104](#) [012-0515-000](#) [012-9507-](#)
[034](#) [012-9507-114](#) [012-9534-001](#) [020745-0008](#) [609-25P](#) [M24308/2-23Z](#) [M243082310F](#) [M243082410F](#) [M243082411F](#) [M24308/4-21](#)
[CT1A18-11PSA206](#) [CT1N36-5SC](#) [CT2-16S-17PS](#) [CT2-20-15PCAU](#) [CT2-24-12PS](#) [CT2-24-28PSF127A206](#) [CT2-32-9PC](#) [CT6F9767-14-4-](#)
[14S-5PC](#) [CT6FA10SL-4PS](#) [CT7-18-10SC](#) [CT7-18-10SCAU](#) [CT7-18-12SCAU](#) [CT7-18-1PC](#) [CT7-18-1PCAU](#) [CT7-18-21SCAU](#) [M83513/01-](#)
[FC](#) [M83723/76W24619 L/C](#) [M85049/48-3-2F](#) [69001-865](#) [6STD09PCM99B70X](#) [6STD09SCM99B30X](#) [6STD09SCT99S40X](#)