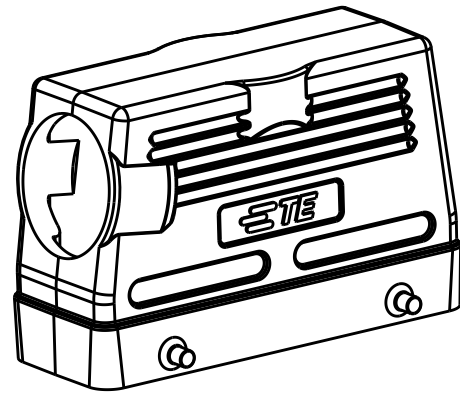


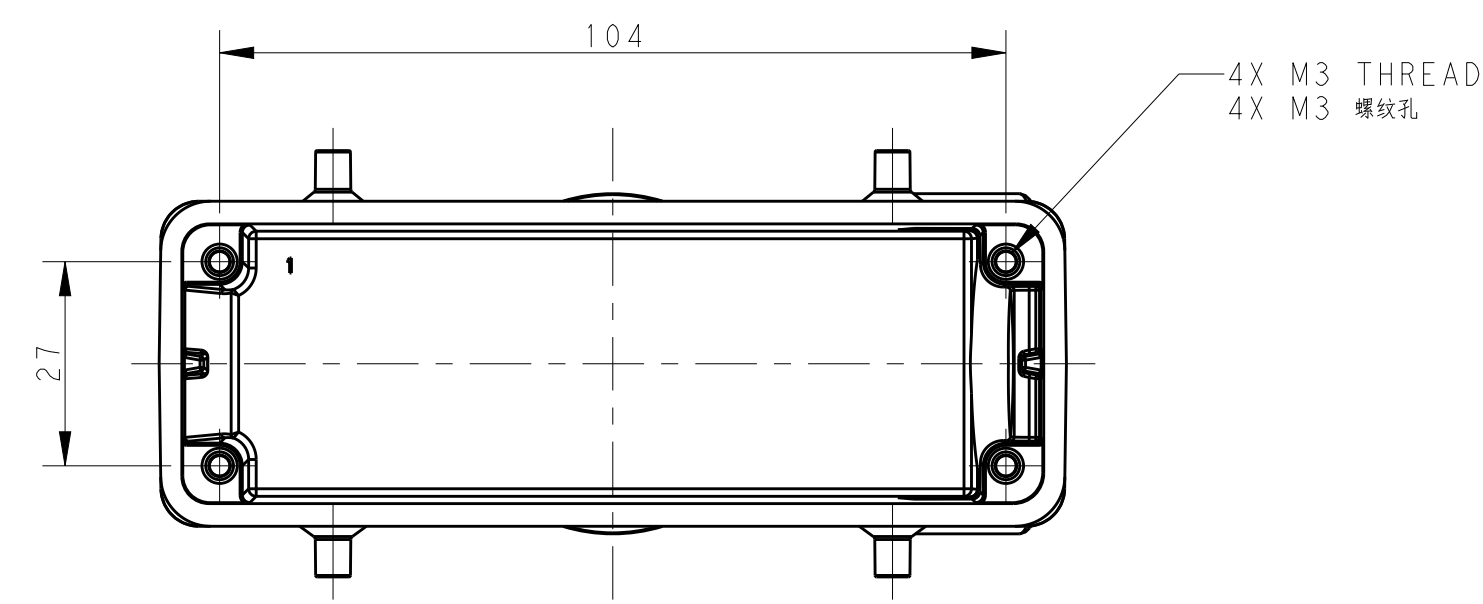
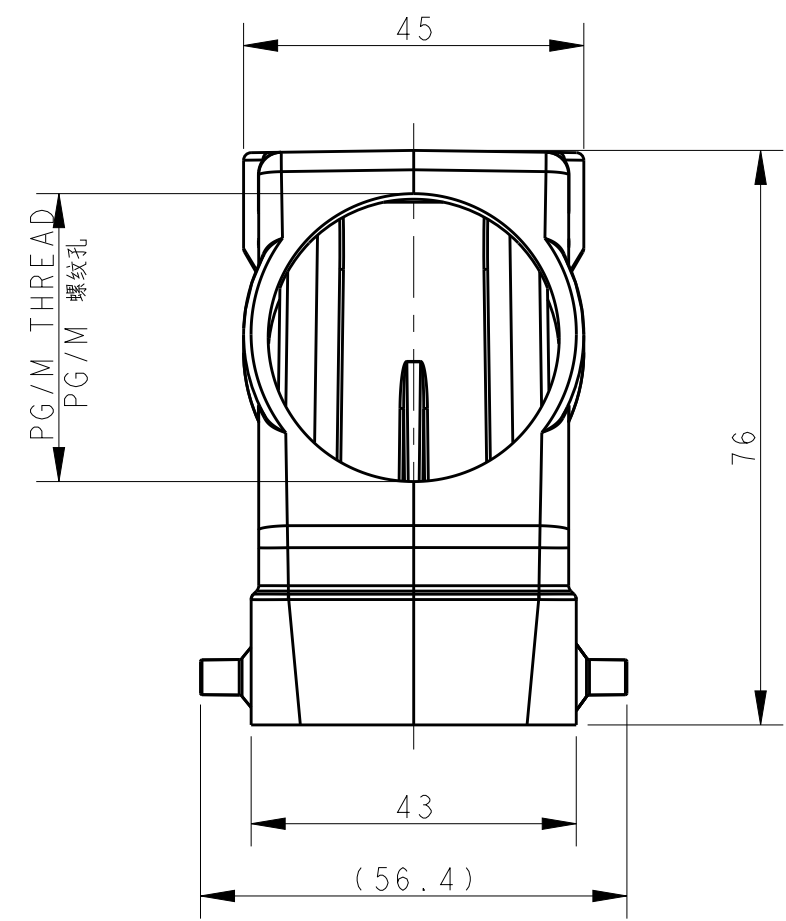
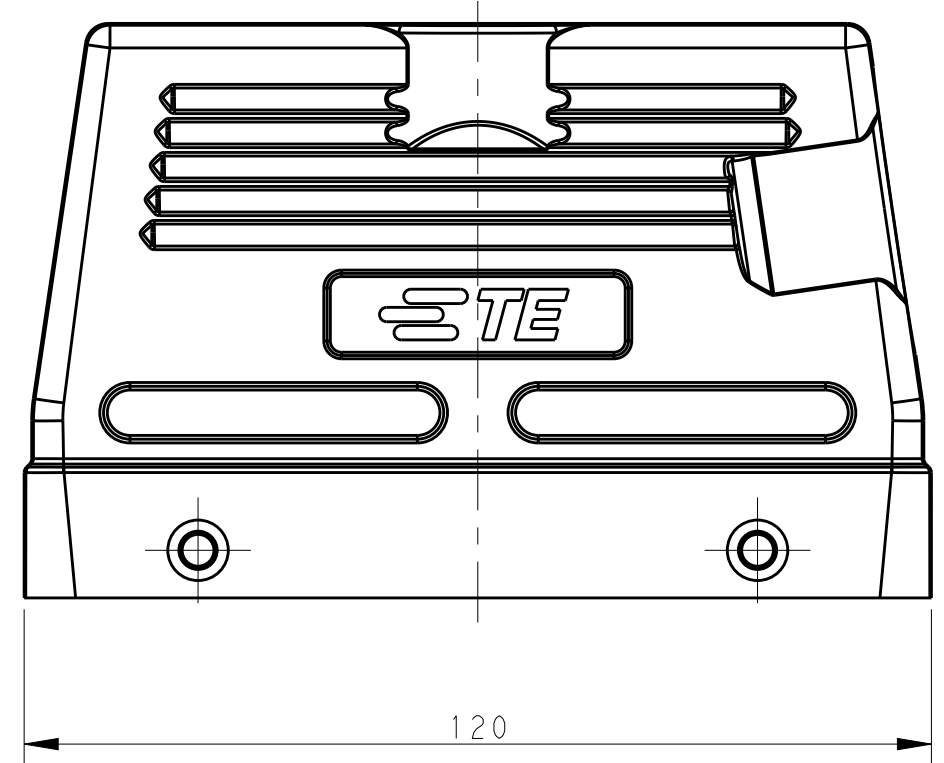
THIS DRAWING IS UNPUBLISHED. RELEASED FOR PUBLICATION 20  
 © COPYRIGHT 20 BY - ALL RIGHTS RESERVED.

REVISIONS				
P	LTR	DESCRIPTION	DATE	APVD
A2		ECR-15-010519	20JUN2015	DW CW
A3		ECR-16-010326	07JUL2016	DW CW
A4		ECR-16-018349	30DEC2016	DW CW
B		ECR-18-016587	22OCT2018	GY CW



HOOD  
上壳

SCALE 1:2



NOTES:  
 1. TECHNICAL CHARACTERISTICS:  
 HOOD MATERIAL: DIE CAST ALUMINIUM ALLOY  
 HOOD SURFACE: POWDER COATED, GREY, RAL7037  
 DEGREE OF PROTECTION: IP65 (MATED)

注释:  
 1. 技术参数:  
 上壳材料: 铝合金  
 上壳表面处理: 灰色粉末涂层, RAL7037  
 防护等级: IP65 (配合)

T1230240121-000	H24B-TSH-PG21	H24B HOOD, SIDE ENTRY PG21, 4 EAR, HIGH CONSTRUCTION, POWDER COATED, GREY H24B上壳, 侧出PG21, 4耳, 高结构, 灰色粉末喷涂	PG21
T1230240129-000	H24B-TSH-PG29	H24B HOOD, SIDE ENTRY PG29, 4 EAR, HIGH CONSTRUCTION, POWDER COATED, GREY H24B上壳, 侧出PG29, 4耳, 高结构, 灰色粉末喷涂	PG29
T1230240125-000	H24B-TSH-M25	H24B HOOD, SIDE ENTRY M25, 4 EAR, HIGH CONSTRUCTION, POWDER COATED, GREY H24B上壳, 侧出M25, 4耳, 高结构, 灰色粉末喷涂	M25
T1230240132-000	H24B-TSH-M32	H24B HOOD, SIDE ENTRY M32, 4 EAR, HIGH CONSTRUCTION, POWDER COATED, GREY H24B上壳, 侧出M32, 4耳, 高结构, 灰色粉末喷涂	M32
T1230240140-000	H24B-TSH-M40	H24B HOOD, SIDE ENTRY M40, 4 EAR, HIGH CONSTRUCTION, POWDER COATED, GREY H24B上壳, 侧出M40, 4耳, 高结构, 灰色粉末喷涂	M40
PART NUMBER 零件料号	PART DESCRIPTION 零件描述		PG/M THREAD PG/M 螺纹孔

THIS DRAWING IS A CONTROLLED DOCUMENT.		DWN DAVID WANG 11 JUN 2014	TE Connectivity
		CHK CHRIS WANG 11 JUN 2014	
		APVD XIANG XU 11 JUN 2014	
DIMENSIONS: mm		PRODUCT SPEC 108-137013	NAME H24B-TSH-M/PG
TOLERANCES UNLESS OTHERWISE SPECIFIED:		APPLICATION SPEC 114-137013	SIZE CAGE CODE DRAWING NO RESTRICTED TO
0 PLC ±		WEIGHT -	A200779 C-T12302401XX000
1 PLC ±		CUSTOMER DRAWING	SCALE 1:1 SHEET 1 OF 1 REV B
2 PLC ±			
3 PLC ±			
4 PLC ±			
ANGLES ±			
FINISH -			

## X-ON Electronics

Largest Supplier of Electrical and Electronic Components

*Click to view similar products for [Heavy Duty Power Connectors](#) category:*

*Click to view products by [TE Connectivity](#) manufacturer:*

Other Similar products are found below :

[1424439](#) [1424438](#) [09330062652](#) [2-8675P1](#) [605601-1](#) [6340G1](#) [6341G1](#) [6360G1](#) [6373G1](#) [6374g2](#) [6396G1](#) [647757-1](#) [66394-4](#) [6643411-1](#)  
[6646058-2](#) [6646137-1](#) [6646138-1](#) [6646348-1](#) [6646479-1](#) [6646608-1](#) [6646786-1](#) [6646940-1](#) [6651091-1](#) [6651525-1](#) [6651529-1](#) [6651778-1](#)  
[6651788-1](#) [696465-1](#) [696475-1](#) [73000005059](#) [73000005349](#) [73000005642](#) [73080255059](#) [73080965046](#) [765-15-0080A](#) [765-16-0080B](#)  
[789.700-44](#) [789.700-54](#) [80-1010](#) [80-9](#) [827381-1](#) [829992-1](#) [902-77-02113](#) [PL00U-301-10D10](#) [PM103MOOLOO](#) [PM16S1620S32-50](#)  
[PM212MOOLOO](#) [PM309FOOLOO](#) [PM324FOOLCH](#) [PMHPAF11S03](#)