

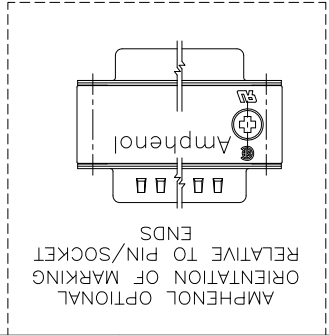
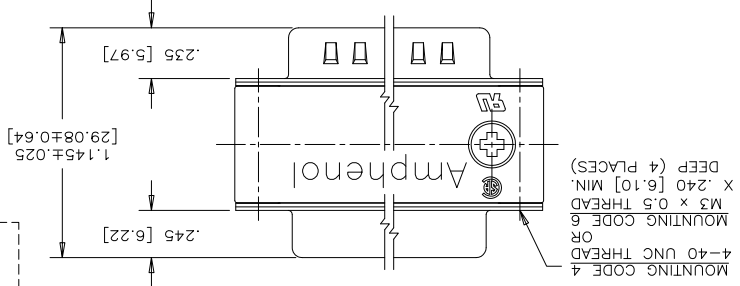
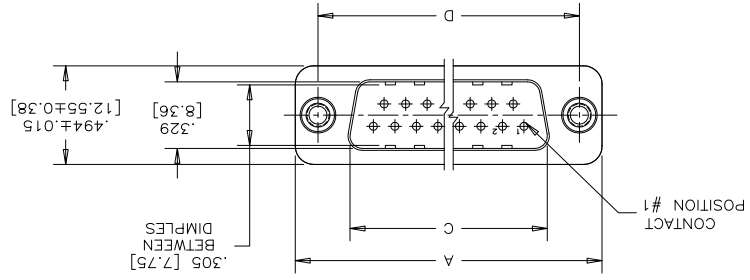
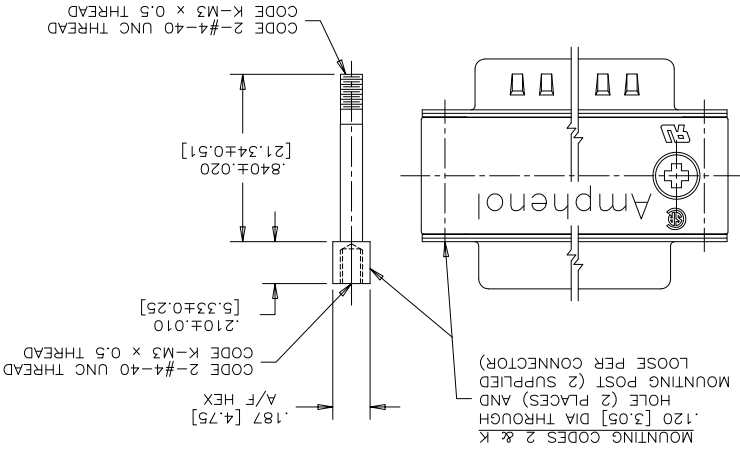
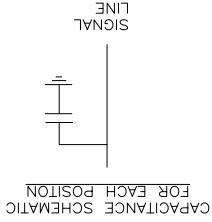
THIS DOCUMENT CONTAINS PROPRIETARY INFORMATION AND SUCH INFORMATION MAY NOT BE DISCLOSED TO OTHERS FOR ANY PURPOSE OR USED FOR MANUFACTURING PURPOSES WITHOUT WRITTEN PERMISSION FROM AMPHENOL CANADA CORP.



DATE	DEC08/05	DRWN	S.BUENAVIDES
DESIGNED			
CHECKED	K.LAMBLIE		
L. E. APPRD.			
O. A. APPRD.			
DWG. APPRD.			
ENG. REL. NO.			
REF.	EAR 14579		
DIMENSIONS ARE IN	INCHES		
CODE ID. NO.	03554		
SCALE	2/1		
WT.			
SURF.			
SHEET	1 of 1		

Amphenol Canada Corp.
 FCE17 SERIES FILTERED D-SUB CONNECTOR, MALE/FEMALE ADAPTER, ROHS COMPLIANT

SIZE	A±.015	B±.005	C±.005	D±.005
E09	1.213 [30.81]	.643 [16.33]	.666 [16.92]	.984 [24.99]
A15	1.541 [39.14]	.971 [24.66]	.994 [25.25]	1.312 [33.32]
B25	2.088 [53.04]	1.511 [38.38]	1.534 [38.96]	1.852 [47.04]
C37	2.729 [69.32]	2.159 [54.84]	2.182 [55.42]	2.500 [63.50]



- NOTES:
1. MATERIALS: - ALL MATERIALS ARE ROHS COMPLIANT
 2. CONTACT RESISTANCE: 30 MILLIOHMS MAXIMUM
 3. INSULATION RESISTANCE: 3000 MEGOHMS MINIMUM
 4. CURRENT RATING: 5 AMPS MAXIMUM
 5. OPERATING TEMPERATURE: -40°C TO 85°C.
 6. TOLERANCE, UNLESS INDICATED OTHERWISE, ±.005 [0.13].
- CONTACTS: PHOSPHOR BRONZE
 PLATED WITH GOLD OVER 50μ" [1.27 MICRONS]
 NICKEL ON MATING AREA. SEE ORDERING CODE.
 - INSULATOR: ENGINEERING THERMOPLASTIC, GLASS REINFORCED, FLAMMABILITY RATING UL94V-0, BLACK.
 - OUTSIDE SHELLS: ZINC DIECAST, NICKEL PLATED
 - MOUNTING HARDWARE: STEEL OR COPPER ALLOY, TIN OR NICKEL PLATED

ORDERING CODE: F C E 1 7 - B 2 5 A D - 4 0 0 G

SERIES: FCE17=FILTERED D-SUB, ROHS
 SIZE/NUMBER OF CONTACTS: E09, A15, B25, OR C37
 CONNECTOR STYLE: AD=PIN/SOCKET ADAPTER
 MOUNTING: 2-.120 [3.05] DIA. THROUGH HOLE WITH #4-40 MOUNTING POST
 6=M3 x 0.5 THREAD
 4=#4-40 UNC THREAD
 8=100 pf
 5=1200 pf
 D=50 pf
 FILTER CAPACITANCE: 5=1000 pf, 8=1200 pf, 6=1500 pf, 0=180 pf, 1=1500 pf, F=350 pf, L=380 pf, E=2200 pf, 9=5600 pf, 4=820 pf, N=NO FILTERS

REFER TO AMPHENOL CATALOGUE FOR FILTER PERFORMANCE CHARACTERISTICS

REV.	ECN, ERN NO.	DATE	APPRD.
E		NOV11/16	K.L.
F		JUL19/17	K.L.

REVISIONS

X-ON Electronics

Largest Supplier of Electrical and Electronic Components

Click to view similar products for [D-Sub Adapters & Gender Changers](#) category:

Click to view products by [Amphenol](#) manufacturer:

Other Similar products are found below :

[76000672](#) [243A10110X](#) [243A10120X](#) [243A10140X](#) [243A11070X](#) [243A13240X](#) [243A13290X](#) [243A13460X](#) [300X10729X](#) [300X10759X](#)
[GCHDLP26F26F](#) [56-715-005-LI](#) [56F715-003](#) [76000673](#) [200.2071](#) [243A11800X](#) [243A10560X](#) [243A11060X](#) [56-745-005](#) [243A10580X](#)
[56F715-005-LI](#) [SC485](#) [40-9525S](#) [76000670](#) [FCC17-C37AD-291](#) [FCC17-E09AD-250](#) [FCE17-E09AD-250](#) [76000560](#) [GCLP37M37F](#)
[GCLP37M37M](#) [76000702](#) [GCHDLPF15M15M](#) [GCHDLPF15F15F](#) [301-1001-11](#) [301-1001-31](#) [76000698](#) [76000699](#) [NADB9MF](#) [FCE17-](#)
[C37AD-290](#) [30-9520](#) [P156-000](#) [P118-000](#) [P152-000](#) [2902318](#) [P150-000](#) [2902317](#) [320X10549X](#) [2902320](#) [230016003](#) [163A50039X](#)