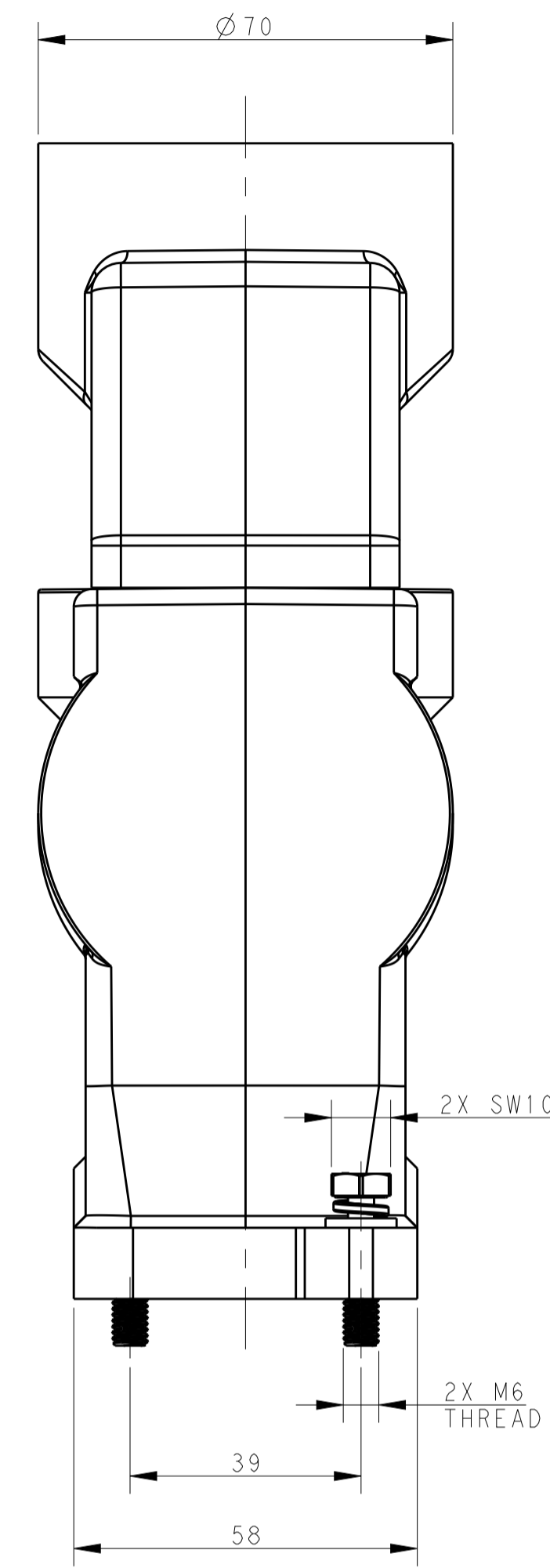
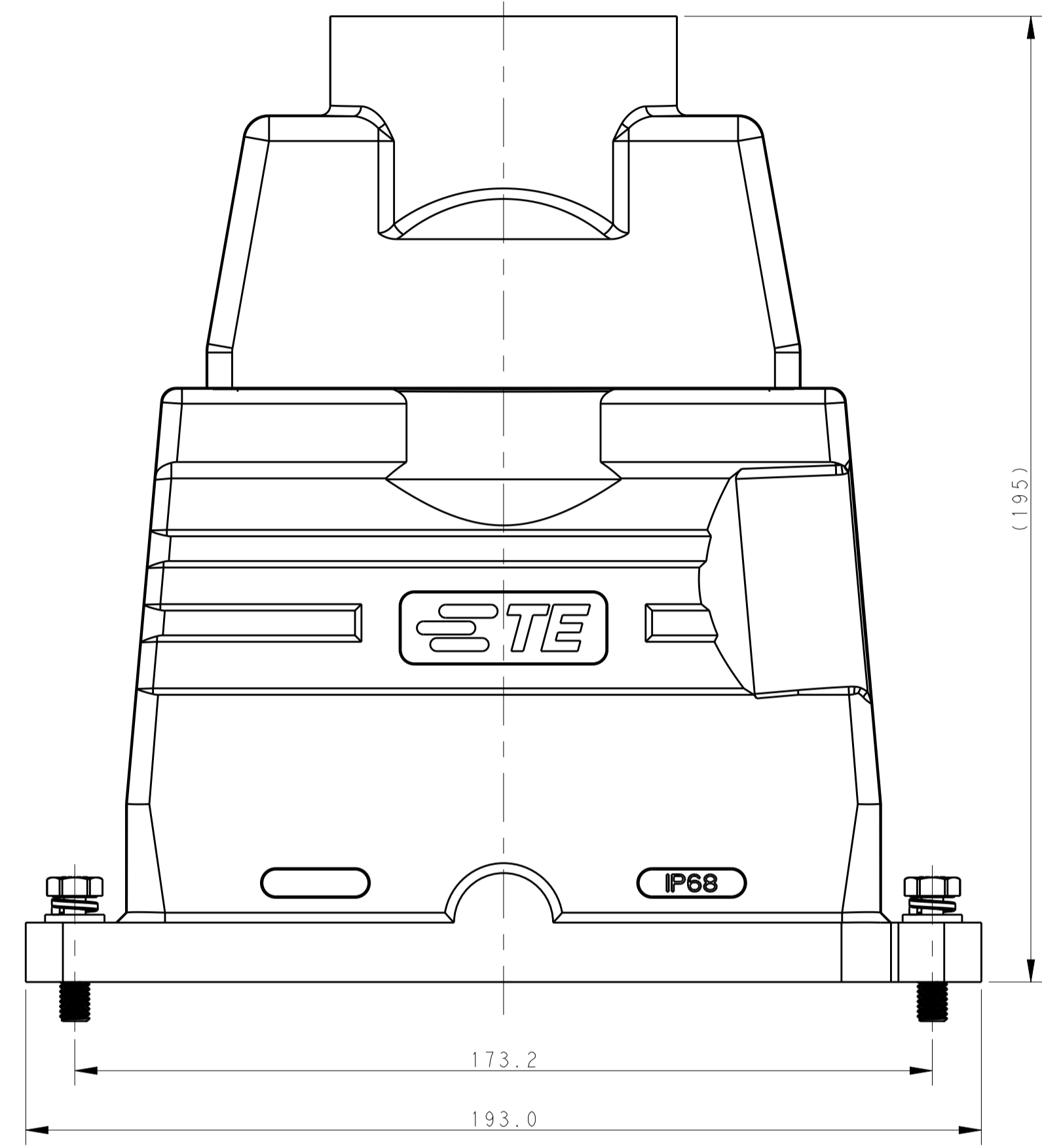
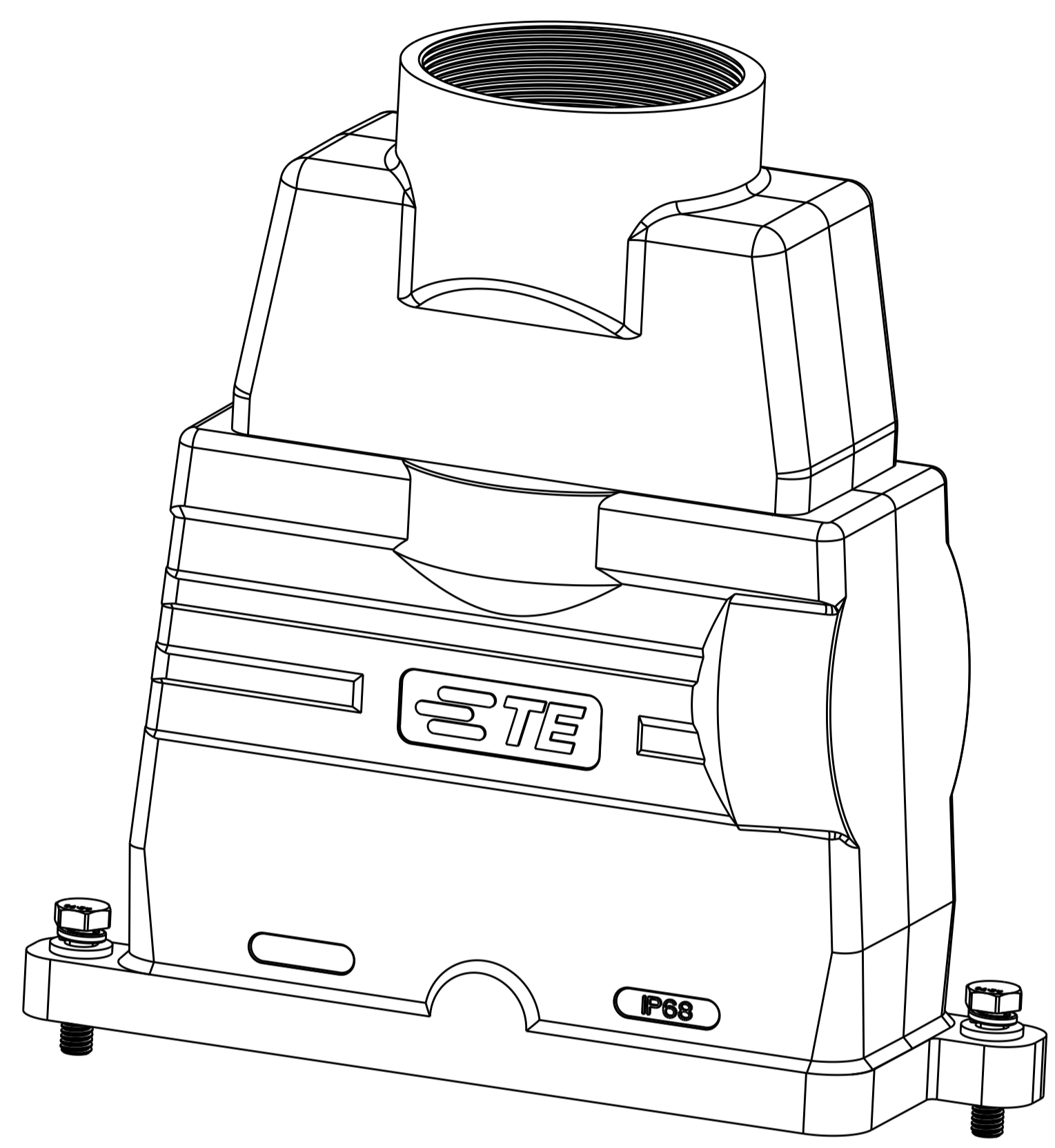
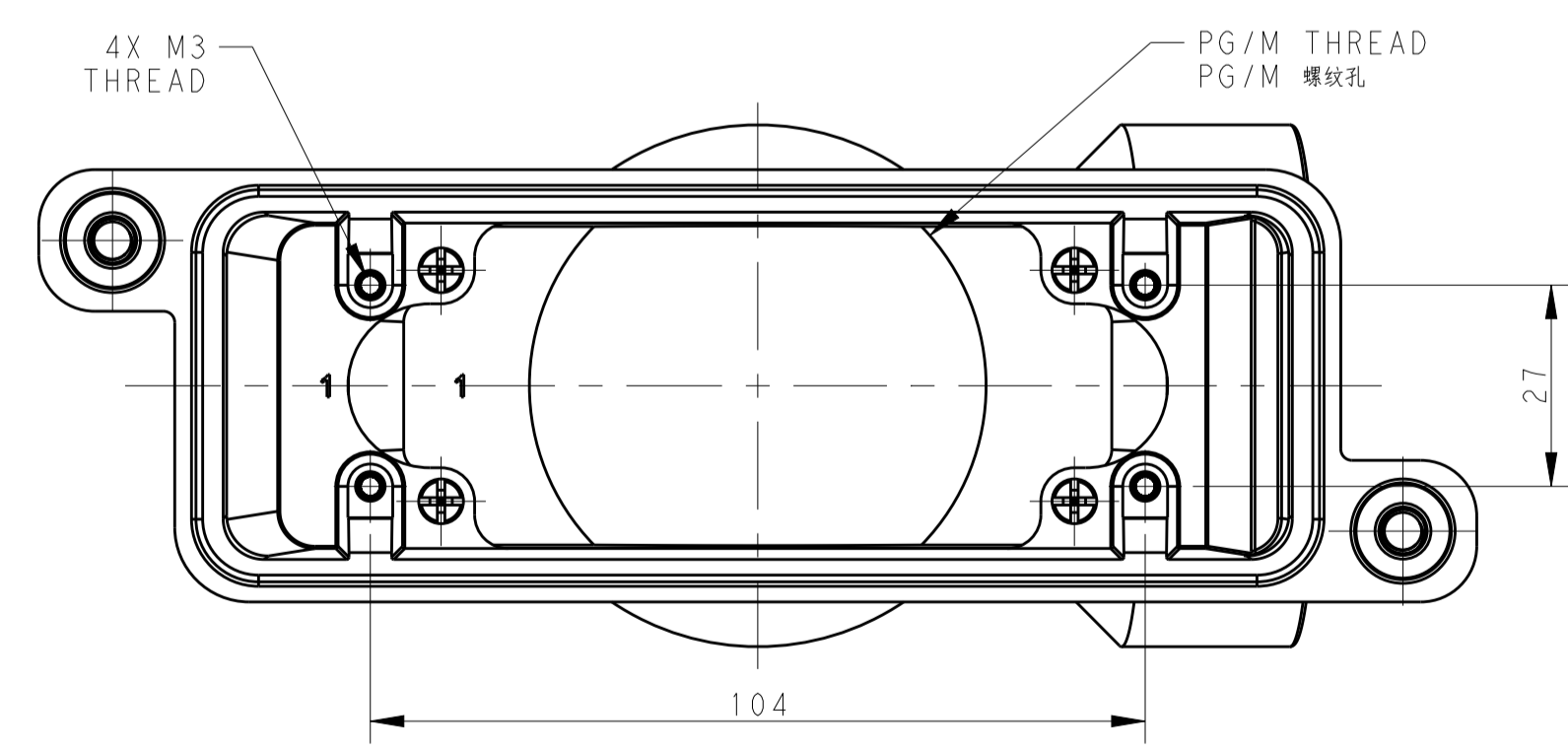


REVISIONS				
P	LTN	DESCRIPTION	DATE	APVD
A		INITIAL	12SEP2016	RL CW



NOTES:  
 1. TECHNICAL CHARACTERISTICS:  
 HOOD MATERIAL: DIE CAST ALUMINIUM ALLOY  
 SURFACE TREATMENT: POWDER COATED, BLACK  
 DEGREE OF PROTECTION: IP68 (MATED)

注释:  
 1. 技术参数:  
 上壳材料: 铝合金  
 表面处理: 黑色粉末喷涂  
 防护等级: IP68 (配合)



T1920240150-001	H24BPR-TGXH-XL-M50	H24BPR HEIGHTEN HOOD, DIAGONAL LOCK, TOP ENTRY M50, POWDER COATED, BLACK H24BPR加高上壳, 对角锁定, 顶出M50, 黑色粉末喷涂	M50
T1920240163-001	H24BPR-TGXH-XL-M63	H24BPR HEIGHTEN HOOD, DIAGONAL LOCK, TOP ENTRY M63, POWDER COATED, BLACK H24BPR加高上壳, 对角锁定, 顶出M63, 黑色粉末喷涂	M63
PART NUMBER 料号	PART DESCRIPTION 描述		PG/M THREAD PG/M 螺纹孔

THIS DRAWING IS A CONTROLLED DOCUMENT.		DWN ROY LIU 12SEP2016	TE Connectivity															
DIMENSIONS: mm		CHK KYLE ZENG 12SEP2016																
TOLERANCES UNLESS OTHERWISE SPECIFIED:		APVD CHRIS WANG 12SEP2016	NAME H24BPR-TGXH-XL-MXX															
<table border="1"> <tr><td>0 PLC</td><td>±</td></tr> <tr><td>1 PLC</td><td>±</td></tr> <tr><td>2 PLC</td><td>±</td></tr> <tr><td>3 PLC</td><td>±</td></tr> <tr><td>4 PLC</td><td>±</td></tr> <tr><td>ANGLES</td><td>±</td></tr> <tr><td>FINISH</td><td>±</td></tr> </table>		0 PLC	±	1 PLC	±	2 PLC	±	3 PLC	±	4 PLC	±	ANGLES	±	FINISH	±	PRODUCT SPEC 108-137014	SIZE A1	
0 PLC	±																	
1 PLC	±																	
2 PLC	±																	
3 PLC	±																	
4 PLC	±																	
ANGLES	±																	
FINISH	±																	
MATERIAL		APPLICATION SPEC 114-137014	CAGE CODE DRAWING NO C-T19202401XX001															
		WEIGHT	RESTRICTED TO															
		CUSTOMER DRAWING	SCALE 1:1 SHEET 1 OF 1 REV A															

## X-ON Electronics

Largest Supplier of Electrical and Electronic Components

*Click to view similar products for [Heavy Duty Power Connectors](#) category:*

*Click to view products by [TE Connectivity](#) manufacturer:*

Other Similar products are found below :

[1424439](#) [1424438](#) [09330062652](#) [2-8675P1](#) [605601-1](#) [6340G1](#) [6341G1](#) [6360G1](#) [6373G1](#) [6374g2](#) [6396G1](#) [647757-1](#) [66394-4](#) [6643411-1](#)  
[6646058-2](#) [6646137-1](#) [6646138-1](#) [6646348-1](#) [6646479-1](#) [6646608-1](#) [6646786-1](#) [6646940-1](#) [6651091-1](#) [6651525-1](#) [6651529-1](#) [6651778-1](#)  
[6651788-1](#) [696465-1](#) [696475-1](#) [73000005059](#) [73000005349](#) [73000005642](#) [73080255059](#) [73080965046](#) [765-15-0080A](#) [765-16-0080B](#)  
[789.700-44](#) [789.700-54](#) [80-1010](#) [80-9](#) [827381-1](#) [829992-1](#) [902-77-02113](#) [PL00U-301-10D10](#) [PM103MOOLOO](#) [PM16S1620S32-50](#)  
[PM212MOOLOO](#) [PM309FOOLOO](#) [PM324FOOLCH](#) [PMHPAF11S03](#)