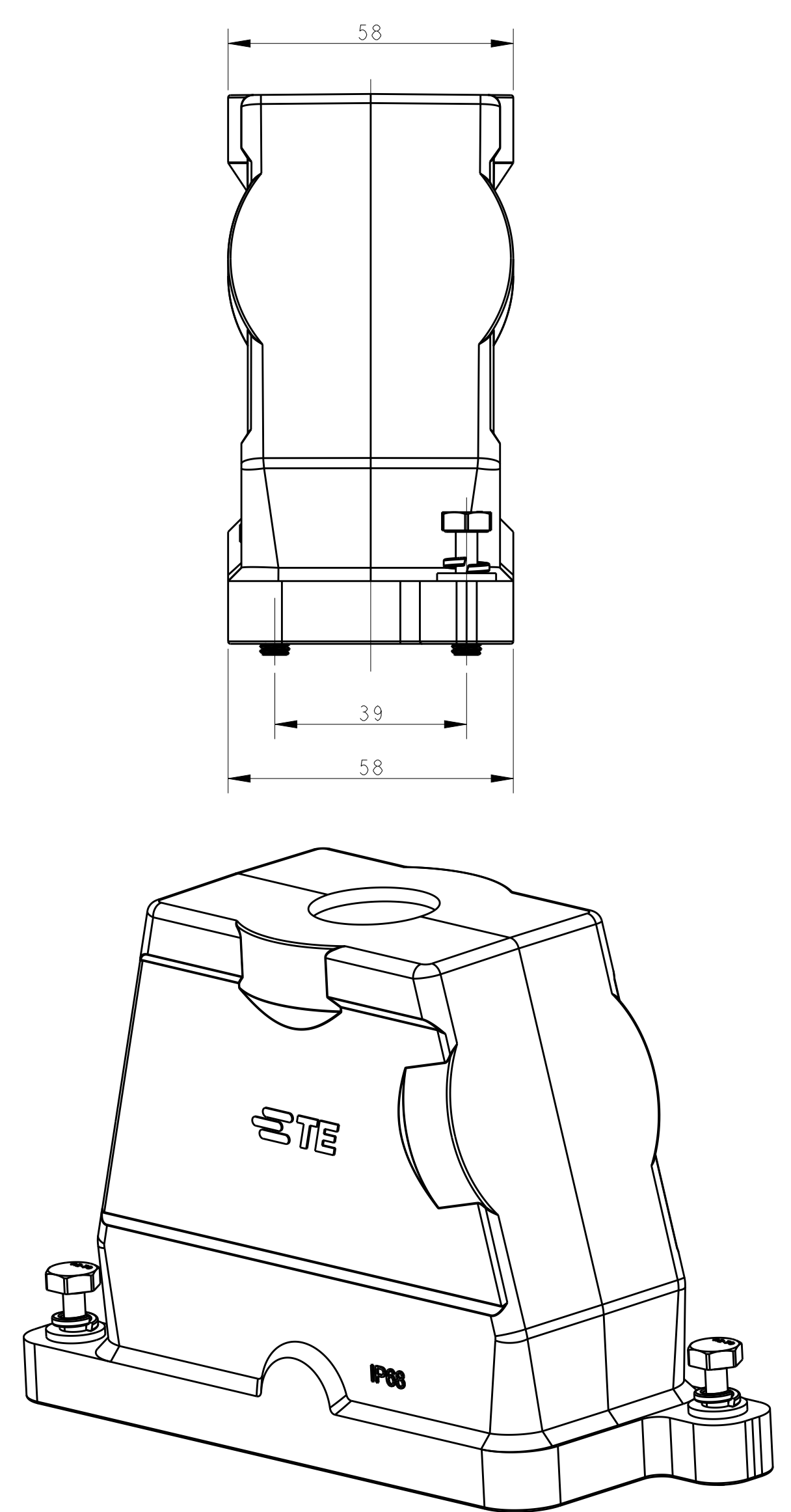
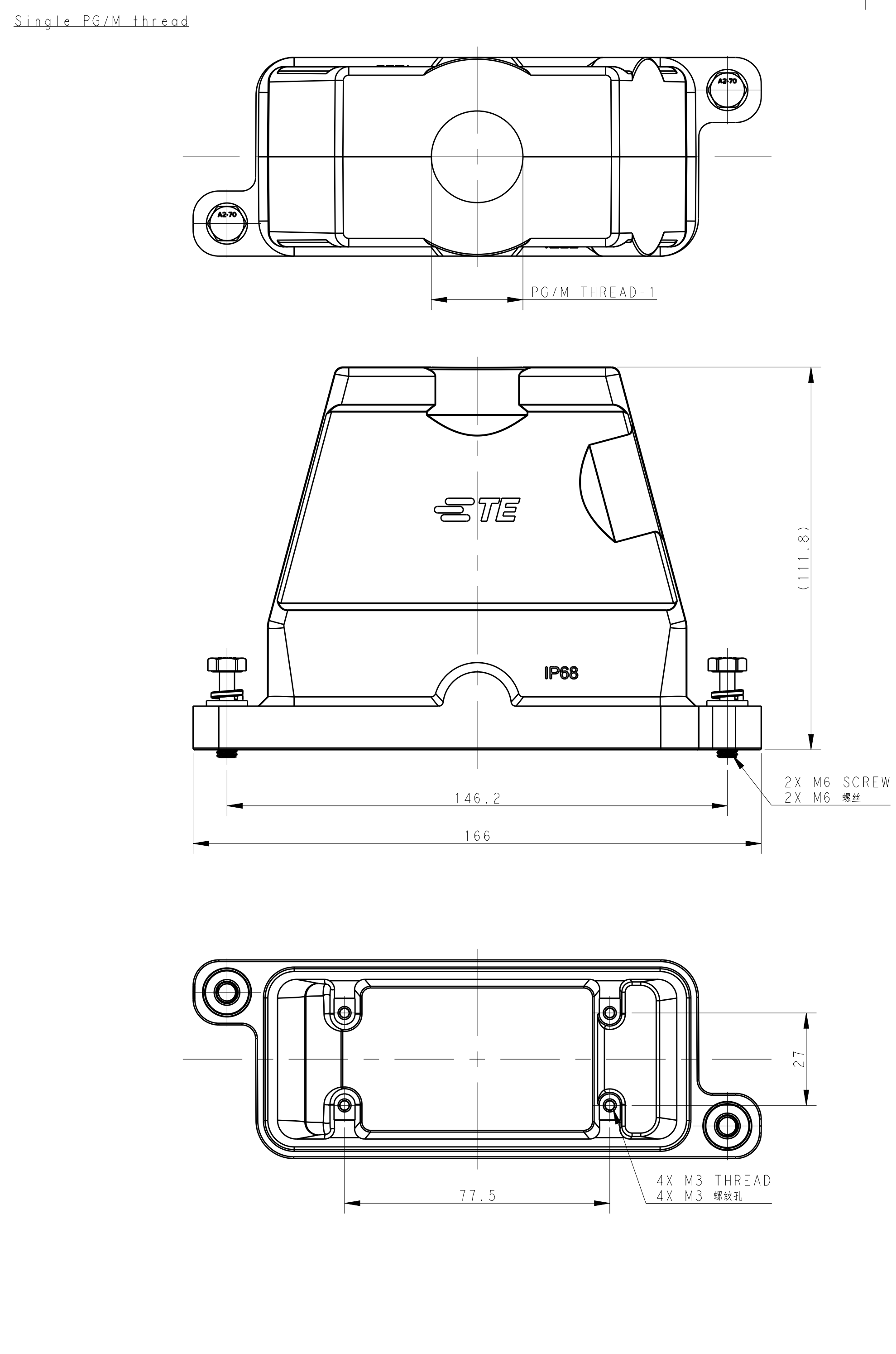
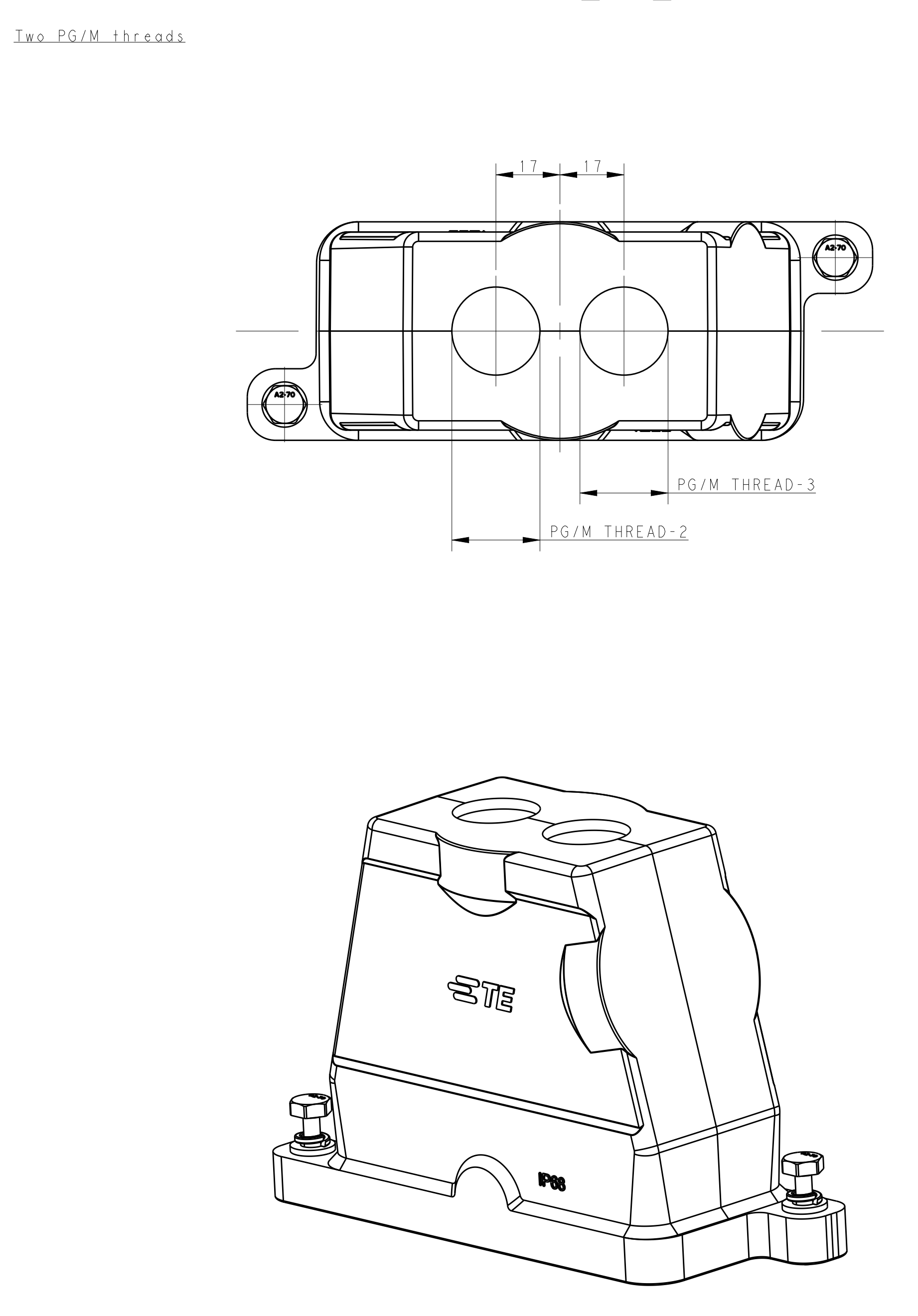


### TYPE 1

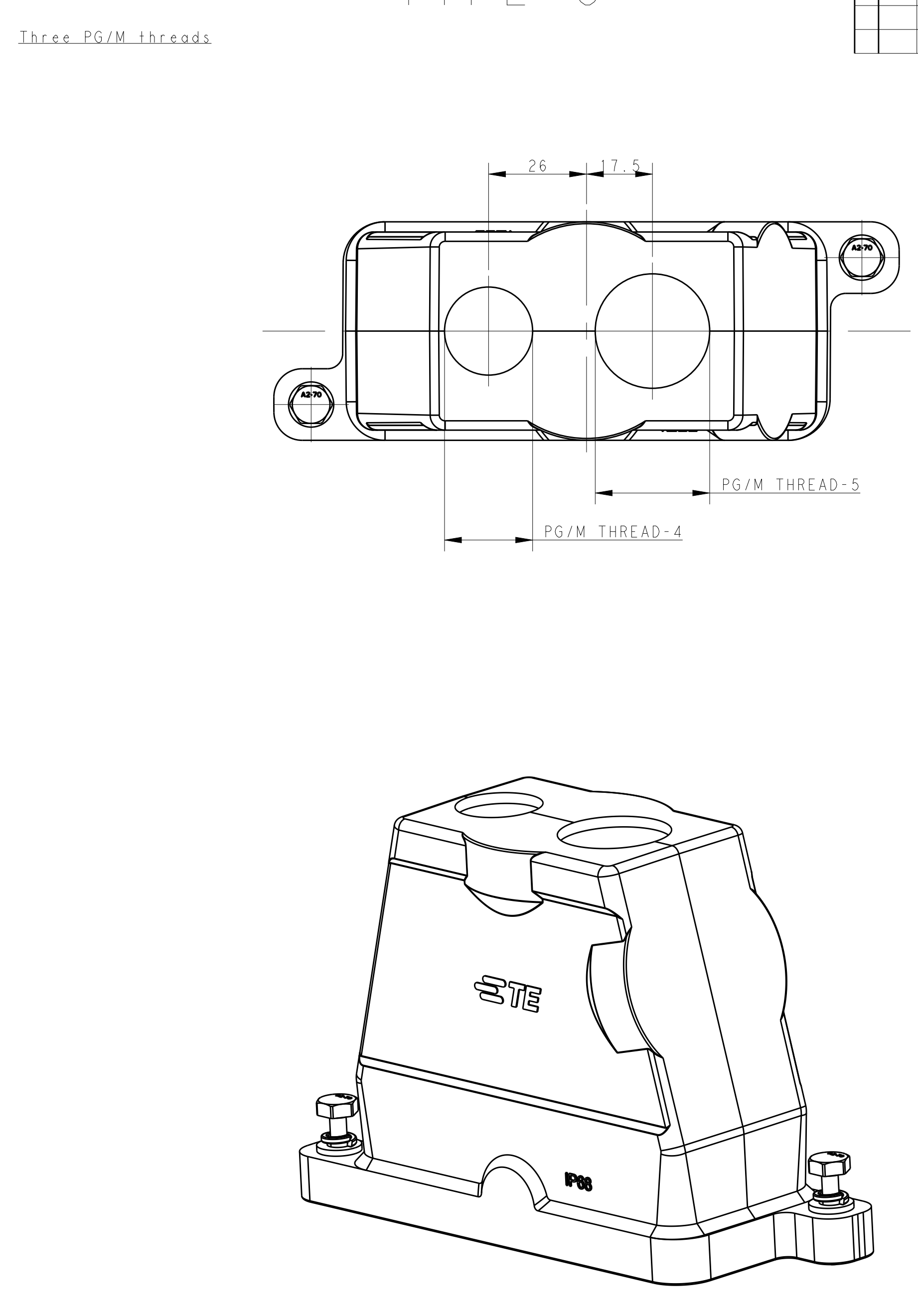


### TYPE 2



All dimension is same as TYPE 1, except those defined in this TYPE

### TYPE 3



All dimension is same as TYPE 1, except those defined in this TYPE

REVISIONS			
P	LTW	DESCRIPTION	DATE
A		INITIAL RELEASE	12SEP2016

NOTES:  
 1. TECHNICAL CHARACTERISTICS:  
 HOOD MATERIAL: DIE CAST ALUMINIUM ALLOY  
 SURFACE: SEE TABLE  
 DEGREE OF PROTECTION: IP68 (MATED)  
 过程  
 1. 设计来源:  
 金属材料: 铝合金  
 表面处理: 阳极氧化  
 防护等级: IP68 (配合)

PART NUMBER	PART DESCRIPTION	PG/M THREAD-5	PG/M THREAD-4	PG/M THREAD-3	PG/M THREAD-2	PG/M THREAD-1	TYPE
T1920163225-109	H16BPR-TGH-M32/M25-EMC-C H16BPR对角锁定防尘罩上壳M32/M25 黑色	M32	M25	-	-	-	TYPE 3 类别3
T1920163225-009	H16BPR-TGH-M32/M25-EMC-C H16BPR对角锁定防尘罩上壳M32/M25 灰色	M32	M25	-	-	-	TYPE 2 类别2
T1920162516-009	H16BPR-TGH-M25/M16-EMC-C H16BPR对角锁定防尘罩上壳M25/M16 黑色	-	-	M16	M25	-	TYPE 1 类别1
T1920161225-009	H16BPR-TGH-2M25-EMC-C H16BPR对角锁定防尘罩上壳2M25 银白色	-	-	M25	M25	-	M40
T1920160225-009	H16BPR-TGH-2M25-EMC-C H16BPR对角锁定防尘罩上壳2M25 黑色	-	-	M25	M25	-	PG36
T1920161140-009	H16BPR-TGH-M40-EMC-C H16BPR对角锁定防尘罩上壳M40 银白色	-	-	-	-	-	M32
T1920161136-009	H16BPR-TGH-PG36-EMC-C H16BPR对角锁定防尘罩上壳PG36 银白色	-	-	-	-	-	PG29
T1920161132-009	H16BPR-TGH-M32-EMC-C H16BPR对角锁定防尘罩上壳M32 银白色	-	-	-	-	-	M25
T1920161129-009	H16BPR-TGH-PG29-EMC-C H16BPR对角锁定防尘罩上壳PG29 银白色	-	-	-	-	-	PG21
T1920161125-009	H16BPR-TGH-M25-EMC-C H16BPR对角锁定防尘罩上壳M25 银白色	-	-	-	-	-	M40
T1920161121-009	H16BPR-TGH-PG21-EMC-C H16BPR对角锁定防尘罩上壳PG21 银白色	-	-	-	-	-	PG36
T1920160140-009	H16BPR-TGH-M40-EMC-C H16BPR对角锁定防尘罩上壳M40 黑色	-	-	-	-	-	M32
T1920160136-009	H16BPR-TGH-PG36-EMC-C H16BPR对角锁定防尘罩上壳PG36 黑色	-	-	-	-	-	PG29
T1920160132-009	H16BPR-TGH-M32-EMC-C H16BPR对角锁定防尘罩上壳M32 黑色	-	-	-	-	-	M25
T1920160129-009	H16BPR-TGH-PG29-EMC-C H16BPR对角锁定防尘罩上壳PG29 黑色	-	-	-	-	-	PG21
T1920160125-009	H16BPR-TGH-M25-EMC-C H16BPR对角锁定防尘罩上壳M25 黑色	-	-	-	-	-	PG21
T1920160121-009	H16BPR-TGH-PG21-EMC-C H16BPR对角锁定防尘罩上壳PG21 黑色	-	-	-	-	-	

THIS DRAWING IS A CONTROLLED DOCUMENT. DATE: 25SEP2016  
 DIMENSIONS: 0 PLC, 1 PLC, 2 PLC, 3 PLC, 4 PLC, 5 PLC, 6 PLC, 7 PLC, 8 PLC, 9 PLC, 10 PLC, 11 PLC, 12 PLC, 13 PLC, 14 PLC, 15 PLC, 16 PLC, 17 PLC, 18 PLC, 19 PLC, 20 PLC, 21 PLC, 22 PLC, 23 PLC, 24 PLC, 25 PLC, 26 PLC, 27 PLC, 28 PLC, 29 PLC, 30 PLC, 31 PLC, 32 PLC, 33 PLC, 34 PLC, 35 PLC, 36 PLC, 37 PLC, 38 PLC, 39 PLC, 40 PLC, 41 PLC, 42 PLC, 43 PLC, 44 PLC, 45 PLC, 46 PLC, 47 PLC, 48 PLC, 49 PLC, 50 PLC, 51 PLC, 52 PLC, 53 PLC, 54 PLC, 55 PLC, 56 PLC, 57 PLC, 58 PLC, 59 PLC, 60 PLC, 61 PLC, 62 PLC, 63 PLC, 64 PLC, 65 PLC, 66 PLC, 67 PLC, 68 PLC, 69 PLC, 70 PLC, 71 PLC, 72 PLC, 73 PLC, 74 PLC, 75 PLC, 76 PLC, 77 PLC, 78 PLC, 79 PLC, 80 PLC, 81 PLC, 82 PLC, 83 PLC, 84 PLC, 85 PLC, 86 PLC, 87 PLC, 88 PLC, 89 PLC, 90 PLC, 91 PLC, 92 PLC, 93 PLC, 94 PLC, 95 PLC, 96 PLC, 97 PLC, 98 PLC, 99 PLC, 100 PLC  
 MATERIAL: FINISH: WEIGHT: ANGLE: CUSTOMER DRAWING  
 DAVID WANG 25SEP2016  
 CHRIS WANG 25SEP2016  
 XIANGLI 25SEP2016  
 PRODUCT SPEC: 108-137191  
 APPLICATION SPEC: 114-137191  
 NAME: H16BPR-TGH-PG/M-EMC-C  
 SCALE: 1:1 SHEET 1 OF 1 REV A

## X-ON Electronics

Largest Supplier of Electrical and Electronic Components

*Click to view similar products for [Heavy Duty Power Connectors](#) category:*

*Click to view products by [TE Connectivity](#) manufacturer:*

Other Similar products are found below :

[1424439](#) [1424438](#) [09330062652](#) [2-8675P1](#) [605601-1](#) [6340G1](#) [6341G1](#) [6360G1](#) [6373G1](#) [6374g2](#) [6396G1](#) [647757-1](#) [66394-4](#) [6643411-1](#)  
[6646058-2](#) [6646137-1](#) [6646138-1](#) [6646348-1](#) [6646479-1](#) [6646608-1](#) [6646786-1](#) [6646940-1](#) [6651091-1](#) [6651525-1](#) [6651529-1](#) [6651778-1](#)  
[6651788-1](#) [696465-1](#) [696475-1](#) [73000005059](#) [73000005349](#) [73000005642](#) [73080255059](#) [73080965046](#) [765-15-0080A](#) [765-16-0080B](#)  
[789.700-44](#) [789.700-54](#) [80-1010](#) [80-9](#) [827381-1](#) [829992-1](#) [902-77-02113](#) [PL00U-301-10D10](#) [PM103MOOLOO](#) [PM16S1620S32-50](#)  
[PM212MOOLOO](#) [PM309FOOLOO](#) [PM324FOOLCH](#) [PMHPAF11S03](#)