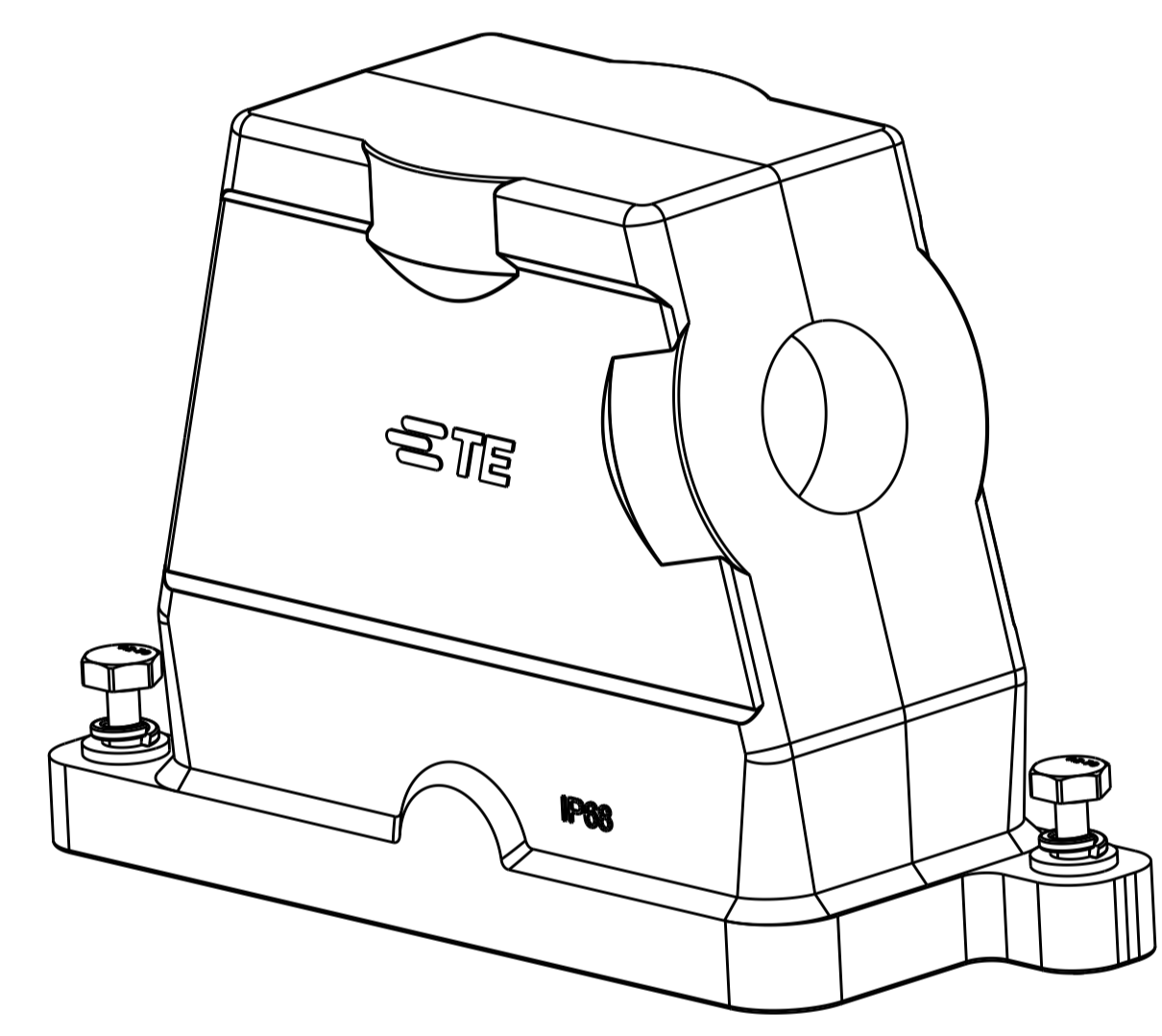
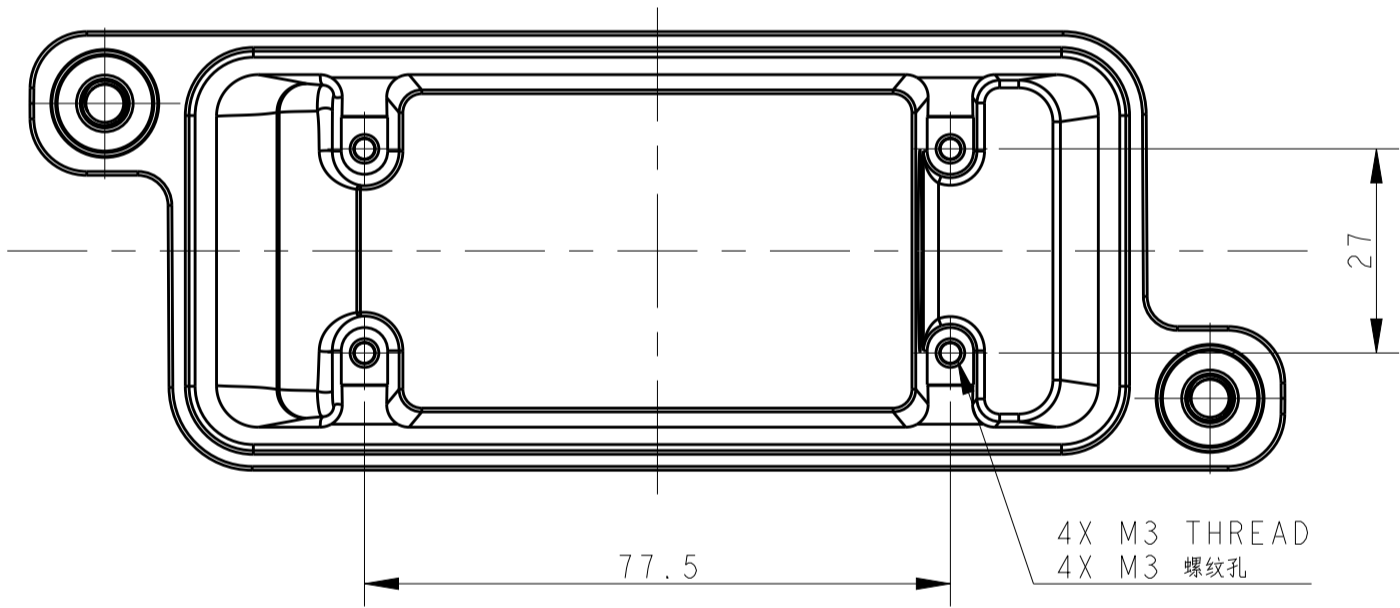
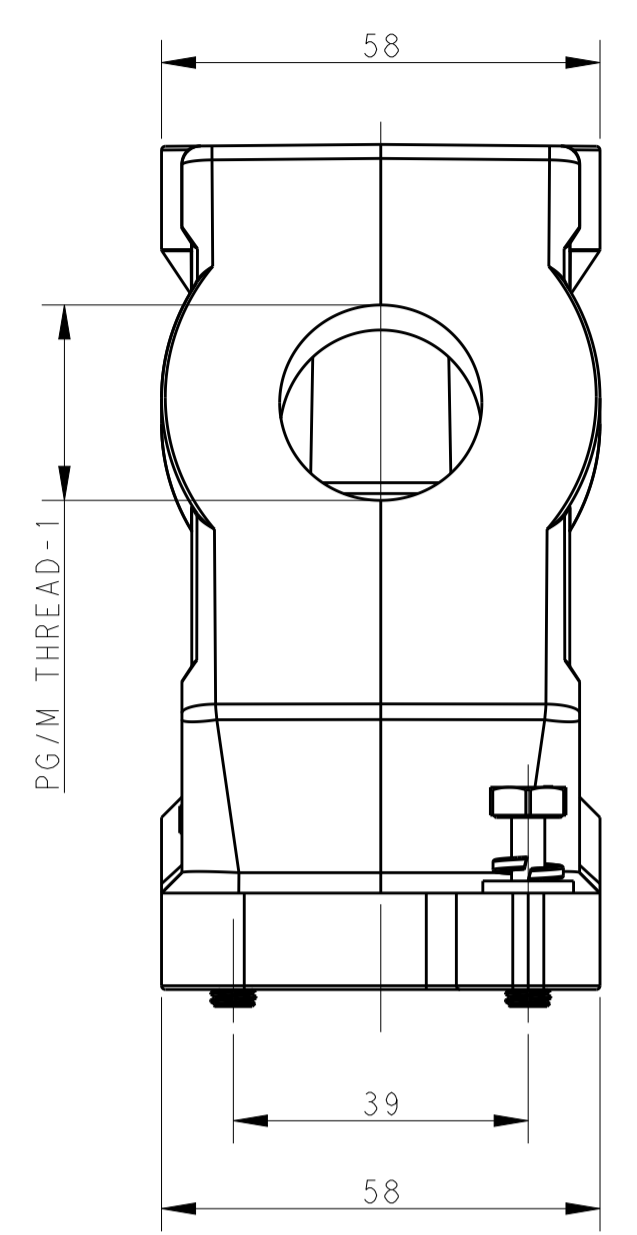
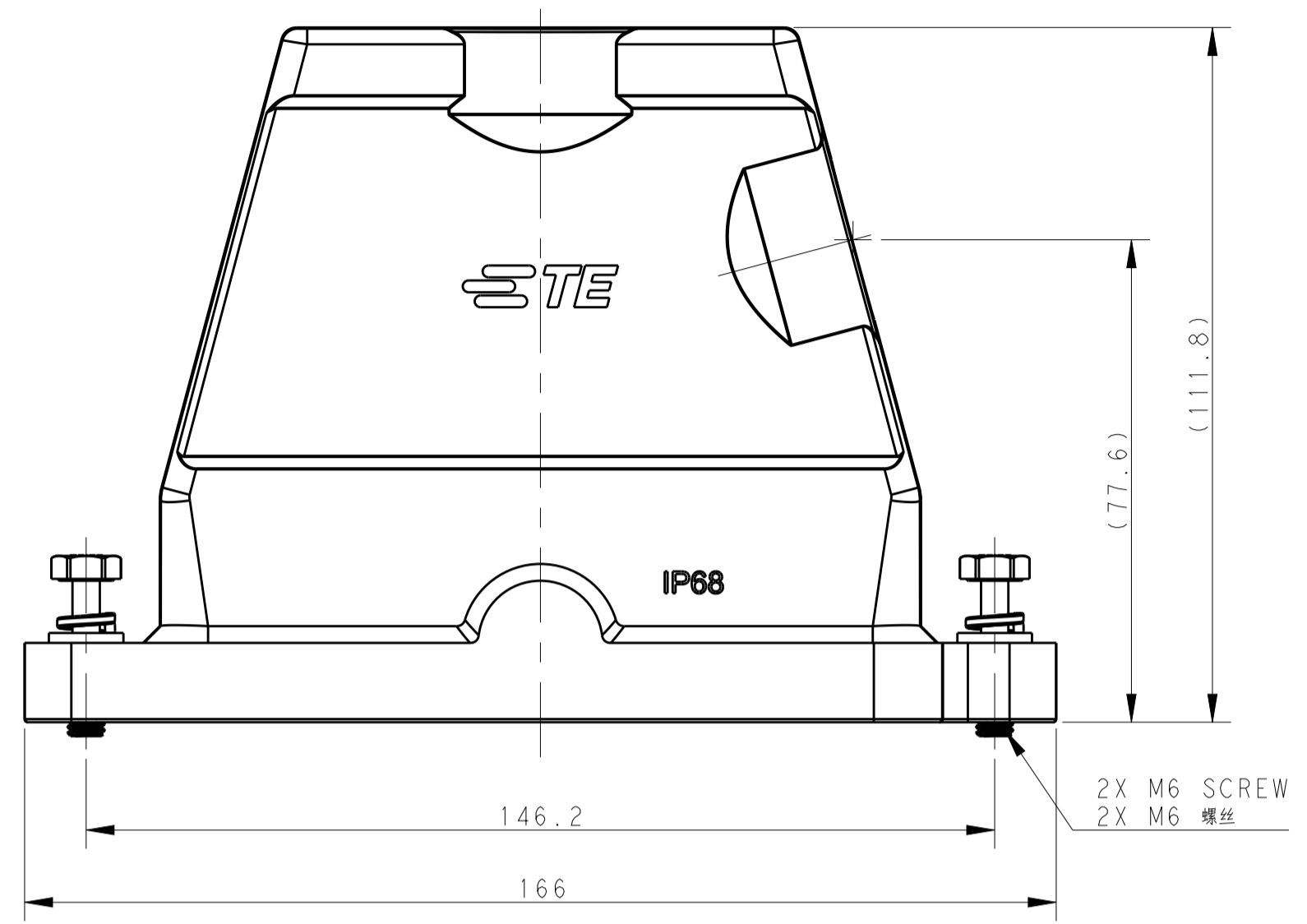


REVISIONS				
REV	LTN	DESCRIPTION	DATE	APVD
A		INITIAL RELEASE	02SEP2016	DW CW



NOTES:
 1. TECHNICAL CHARACTERISTICS:
 HOOD MATERIAL: DIE CAST ALUMINIUM ALLOY
 SURFACE: SEE TABLE
 DEGREE OF PROTECTION: IP68 (MATED)

注释:
 1. 技术参数:
 壳体材料: 铝合金
 表面处理: 见表格
 防护等级: IP68 (配合)

PART NUMBER 料号	PART DESCRIPTION 描述	PG/M THREAD-1 PG/M 螺纹-1
T1910161140-009	H16BPR-TSH-M40-EMC-C H16BPR HOOD, DIAGONAL LOCKING, SIDE ENTRY M40, POWDER COATED, SILVER WHITE H16BPR对角锁定侧出上壳M40 银白色	M40
T1910161136-009	H16BPR-TSH-PG36-EMC-C H16BPR HOOD, DIAGONAL LOCKING, SIDE ENTRY PG36, POWDER COATED, SILVER WHITE H16BPR对角锁定侧出上壳PG36 银白色	PG36
T1910161132-009	H16BPR-TSH-M32-EMC-C H16BPR HOOD, DIAGONAL LOCKING, SIDE ENTRY M32, POWDER COATED, SILVER WHITE H16BPR对角锁定侧出上壳M32 银白色	M32
T1910161129-009	H16BPR-TSH-PG29-EMC-C H16BPR HOOD, DIAGONAL LOCKING, SIDE ENTRY PG29, POWDER COATED, SILVER WHITE H16BPR对角锁定侧出上壳PG29 银白色	PG29
T1910161125-009	H16BPR-TSH-M25-EMC-C H16BPR HOOD, DIAGONAL LOCKING, SIDE ENTRY M25, POWDER COATED, SILVER WHITE H16BPR对角锁定侧出上壳M25 银白色	M25
T1910161121-009	H16BPR-TSH-PG21-EMC-C H16BPR HOOD, DIAGONAL LOCKING, SIDE ENTRY PG21, POWDER COATED, SILVER WHITE H16BPR对角锁定侧出上壳PG21 银白色	PG21
T1910160140-009	H16BPR-TSH-M40-EMC-C H16BPR HOOD, DIAGONAL LOCKING, SIDE ENTRY M40, POWDER COATED, BLACK H16BPR对角锁定侧出上壳M40 黑色	M40
T1910160136-009	H16BPR-TSH-PG36-EMC-C H16BPR HOOD, DIAGONAL LOCKING, SIDE ENTRY PG36, POWDER COATED, BLACK H16BPR对角锁定侧出上壳PG36 黑色	PG36
T1910160132-009	H16BPR-TSH-M32-EMC-C H16BPR HOOD, DIAGONAL LOCKING, SIDE ENTRY M32, POWDER COATED, BLACK H16BPR对角锁定侧出上壳M32 黑色	M32
T1910160129-009	H16BPR-TSH-PG29-EMC-C H16BPR HOOD, DIAGONAL LOCKING, SIDE ENTRY PG29, POWDER COATED, BLACK H16BPR对角锁定侧出上壳PG29 黑色	PG29
T1910160125-009	H16BPR-TSH-M25-EMC-C H16BPR HOOD, DIAGONAL LOCKING, SIDE ENTRY M25, POWDER COATED, BLACK H16BPR对角锁定侧出上壳M25 黑色	M25
T1910160121-009	H16BPR-TSH-PG21-EMC-C H16BPR HOOD, DIAGONAL LOCKING, SIDE ENTRY PG21, POWDER COATED, BLACK H16BPR对角锁定侧出上壳PG21 黑色	PG21

THIS DRAWING IS A CONTROLLED DOCUMENT. DWN DAVID WANG 02SEP2016
 CHRIS WANG 02SEP2016
 DIMENSIONS: mm TOLERANCES UNLESS OTHERWISE SPECIFIED: 0 PLC ±, 1 PLC ±, 2 PLC ±, 3 PLC ±, 4 PLC ±, ANGLES ±, FINISH ±

APVD: XIANG YU 02SEP2016
 NAME: H16BPR-TSH-PG/M-EMC-C
 PRODUCT SPEC: 108-137191
 APPLICATION SPEC: 114-137191
 WEIGHT: -
 CUSTOMER DRAWING

SCALE: 1:1 SHEET 1 OF 1 REV A

X-ON Electronics

Largest Supplier of Electrical and Electronic Components

Click to view similar products for [Heavy Duty Power Connectors](#) category:

Click to view products by [TE Connectivity](#) manufacturer:

Other Similar products are found below :

[1424439](#) [1424438](#) [09330062652](#) [2-8675P1](#) [605601-1](#) [6340G1](#) [6341G1](#) [6360G1](#) [6373G1](#) [6374g2](#) [6396G1](#) [647757-1](#) [66394-4](#) [6643411-1](#)
[6646058-2](#) [6646137-1](#) [6646138-1](#) [6646348-1](#) [6646479-1](#) [6646608-1](#) [6646786-1](#) [6646940-1](#) [6651091-1](#) [6651525-1](#) [6651529-1](#) [6651778-1](#)
[6651788-1](#) [696465-1](#) [696475-1](#) [73000005059](#) [73000005349](#) [73000005642](#) [73080255059](#) [73080965046](#) [765-15-0080A](#) [765-16-0080B](#)
[789.700-44](#) [789.700-54](#) [80-1010](#) [80-9](#) [827381-1](#) [829992-1](#) [902-77-02113](#) [PL00U-301-10D10](#) [PM103MOOLOO](#) [PM16S1620S32-50](#)
[PM212MOOLOO](#) [PM309FOOLOO](#) [PM324FOOLCH](#) [PMHPAF11S03](#)