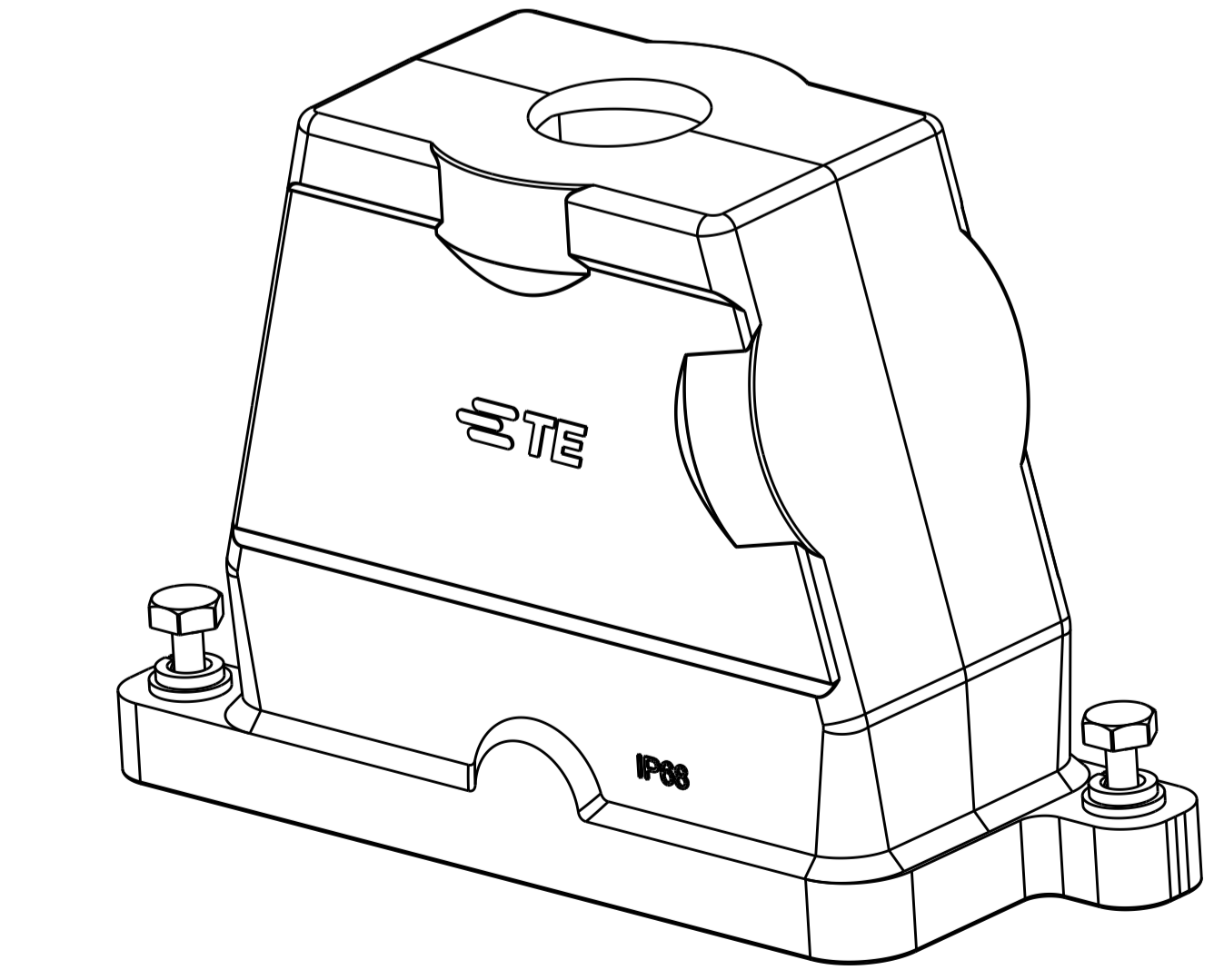
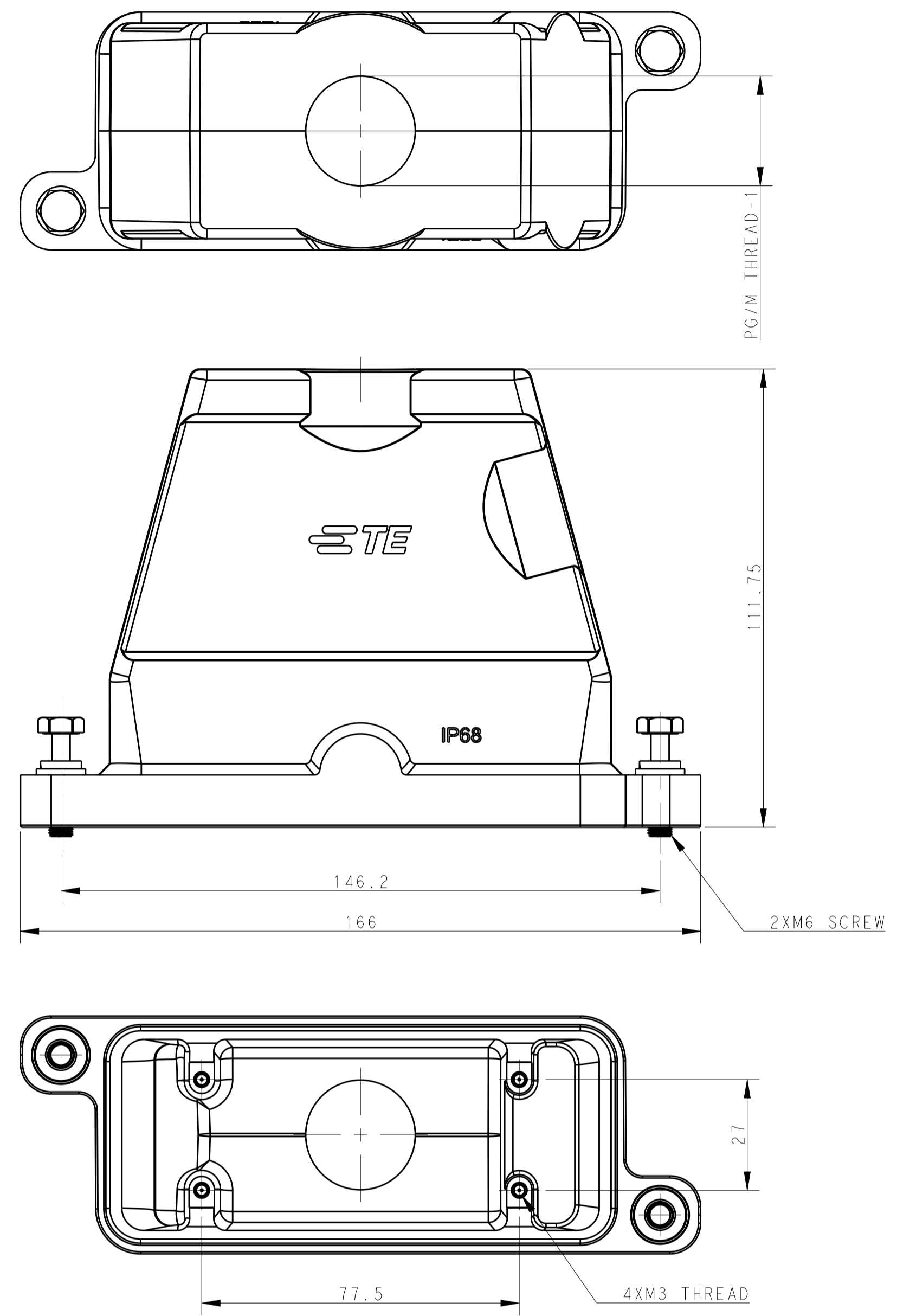


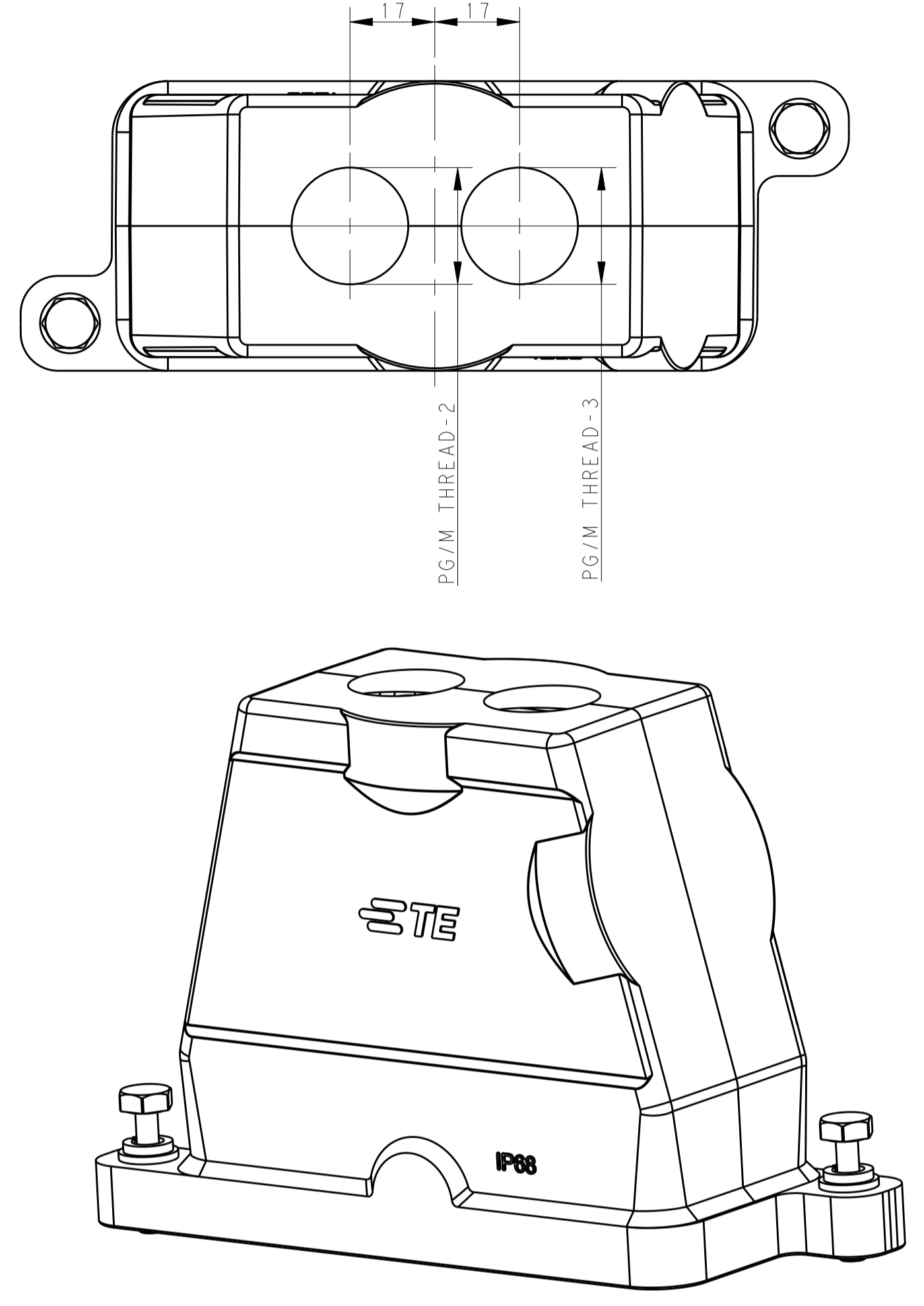
TYPE 1

Single PG/M thread



TYPE 2

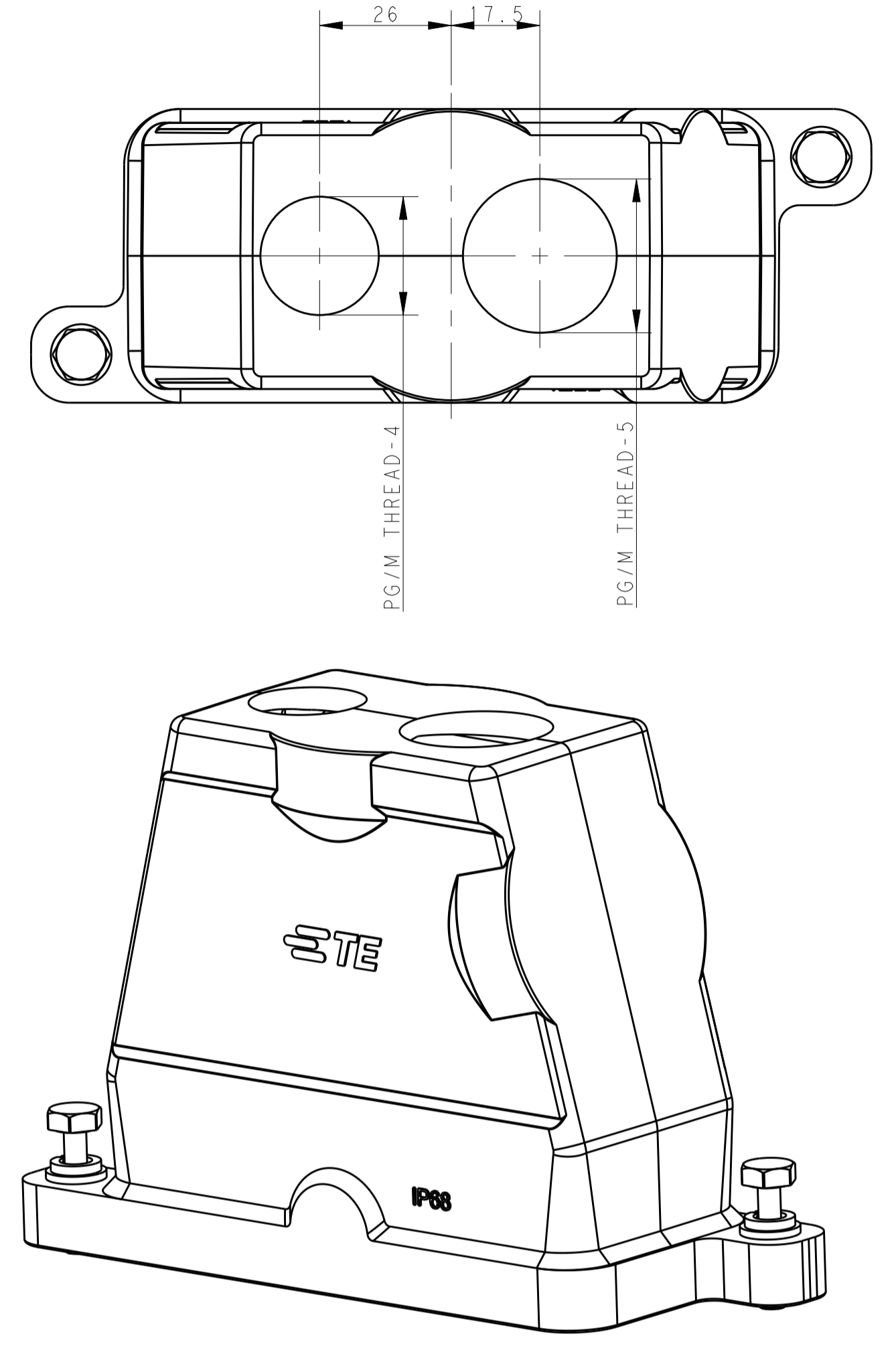
Two PG/M threads



All dimension is same as TYPE 1, except those defined in this TYPE

TYPE 3

Two PG/M threads



All dimension is same as TYPE 1, except those defined in this TYPE

REVISIONS				
P.	LTN.	DESCRIPTION	DATE	DMN. APVD.
A		INITIAL RELEASE	11JUN2015	GY CW

NOTES:
 1. TECHNICAL CHARACTERISTICS:
 HOOD MATERIAL: DIE CAST ALUMINIUM ALLOY
 SURFACE TREATMENT: SEE TABLE
 OPERATION TEMPERATURE: -40°C~+125°C
 DEGREE OF PROTECTION: IP68 (MATED)

注释:
 1. 技术参数:
 壳体材料: 铝合金
 表面处理: 见表格
 工作温度: -40°C~+125°C
 防护等级: IP68 (配合)

PART NUMBER	SURFACE TREATMENT	DESCRIPTION	PG/M THREAD-5	PG/M THREAD-4	PG/M THREAD-3	PG/M THREAD-2	PG/M THREAD-1	TYPE
T1920163225-000	POWDER COATED GRAY	H16BPR-TGH-M32/M25	M32	M25	-	-	-	TYPE 3
T1920162516-000	POWDER COATED BLACK	H16BPR-TGH-M25/M16	-	-	M16	M25	-	TYPE 2
T1920161225-000	POWDER COATED SILVER WHITE	H16BPR-TGH-2M25	-	-	M25	M25	-	
T1920160225-000	POWDER COATED BLACK	H16BPR-TGH-2M25	-	-	M25	M25	-	TYPE 1
T1920161140-000	POWDER COATED SILVER WHITE	H16BPR-TGH-M40	-	-	-	-	M40	
T1920161136-000	POWDER COATED SILVER WHITE	H16BPR-TGH-PG36	-	-	-	-	PG36	
T1920161132-000	POWDER COATED SILVER WHITE	H16BPR-TGH-M32	-	-	-	-	M32	
T1920161129-000	POWDER COATED SILVER WHITE	H16BPR-TGH-PG29	-	-	-	-	PG29	
T1920161125-000	POWDER COATED SILVER WHITE	H16BPR-TGH-M25	-	-	-	-	M25	
T1920161121-000	POWDER COATED SILVER WHITE	H16BPR-TGH-PG21	-	-	-	-	PG21	
T1920160140-000	POWDER COATED BLACK	H16BPR-TGH-M40	-	-	-	-	M40	
T1920160136-000	POWDER COATED BLACK	H16BPR-TGH-PG36	-	-	-	-	PG36	
T1920160132-000	POWDER COATED BLACK	H16BPR-TGH-M32	-	-	-	-	M32	
T1920160129-000	POWDER COATED BLACK	H16BPR-TGH-PG29	-	-	-	-	PG29	
T1920160125-000	POWDER COATED BLACK	H16BPR-TGH-M25	-	-	-	-	M25	
T1920160121-000	POWDER COATED BLACK	H16BPR-TGH-PG21	-	-	-	-	PG21	

THIS DRAWING IS A CONTROLLED DOCUMENT.

DMN: Gino.Yao 11JUN2015
 CW: Chris.Yao 11JUN2015
 APVD: Xiao.Yu 11JUN2015

PRODUCT SPEC: 108-137014
 APPLICATION SPEC: 114-137014

NAME: H16BPR-TGH-PG/M

SIZE: A1
 CAGE CODE: -
 DRAWING NO: C-T192016XXXXX00

Customer Drawing

SCALE: 1:1 SHEET 1 OF 1 REV A

X-ON Electronics

Largest Supplier of Electrical and Electronic Components

Click to view similar products for [Heavy Duty Power Connectors](#) category:

Click to view products by [TE Connectivity](#) manufacturer:

Other Similar products are found below :

[1424439](#) [1424438](#) [09330062652](#) [2-8675P1](#) [605601-1](#) [6340G1](#) [6341G1](#) [6360G1](#) [6373G1](#) [6374g2](#) [6396G1](#) [647757-1](#) [66394-4](#) [6643411-1](#)
[6646058-2](#) [6646137-1](#) [6646138-1](#) [6646348-1](#) [6646479-1](#) [6646608-1](#) [6646786-1](#) [6646940-1](#) [6651091-1](#) [6651525-1](#) [6651529-1](#) [6651778-1](#)
[6651788-1](#) [696465-1](#) [696475-1](#) [73000005059](#) [73000005349](#) [73000005642](#) [73080255059](#) [73080965046](#) [765-15-0080A](#) [765-16-0080B](#)
[789.700-44](#) [789.700-54](#) [80-1010](#) [80-9](#) [827381-1](#) [829992-1](#) [902-77-02113](#) [PL00U-301-10D10](#) [PM103MOOLOO](#) [PM16S1620S32-50](#)
[PM212MOOLOO](#) [PM309FOOLOO](#) [PM324FOOLCH](#) [PMHPAF11S03](#)