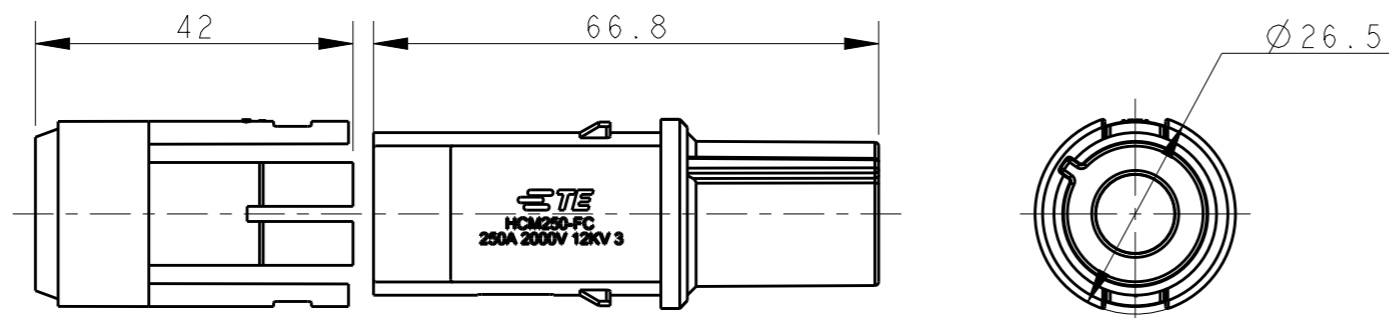


THIS DRAWING IS UNPUBLISHED. RELEASED FOR PUBLICATION 20
 © COPYRIGHT 20 BY - ALL RIGHTS RESERVED.

REVISIONS

P	LTR	DESCRIPTION	DATE	DWN	APVD
	A	INITIAL	05DEC2016	BS	CW

BEFORE ASSEMBLY:
 组装前:



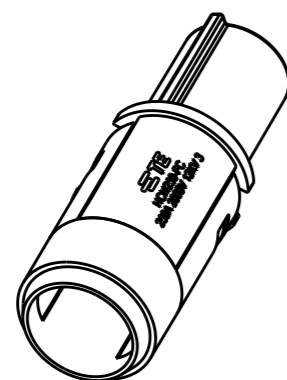
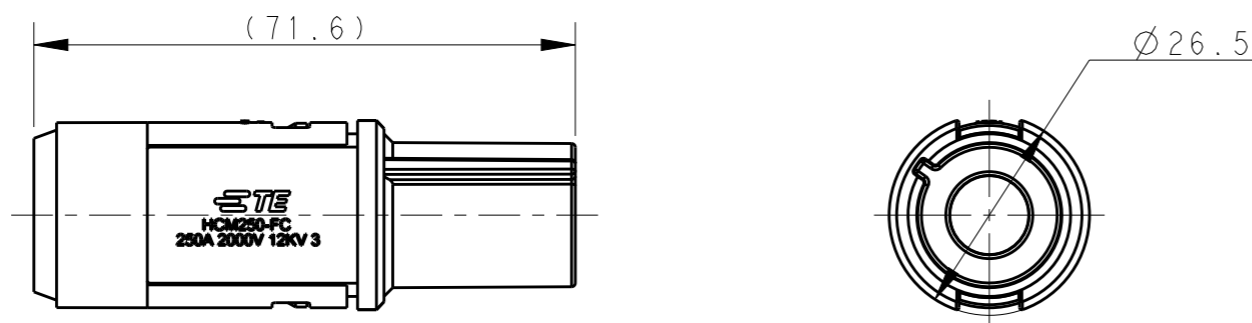
NOTES:

- TECHNICAL CHARACTERISTICS:
 INSULATION MATERIAL: PC
 RATED VOLTAGE: 2000V
 RATED CURRENT: 250A
 RATED IMPULSE VOLTAGE: 12KV
 POLLUTION DEGREE: 3
 FLAMMABILITY: UL94V-0
 WIRE RANGE: 35-70 mm²
 CONTACT TYPE: CRIMP CONTACT
- CONTACT NEED TO BE ORDERED SEPARATELY.
 (ORDER No. REFER TO DRAWING:T21925020XX000)

注释:


- 技术参数:
 绝缘材料: PC
 额定电压: 2000V
 额定电流: 250A
 额定脉冲电压: 12KV
 污染等级: 3
 阻燃等级: UL94V-0
 接线范围: 35-70 mm²
 接线类型: 冷压接
- 端子需要单独订购。
 (订货号参考图面: T21925020XX000)

AFTER ASSEMBLY:
 组装后:



T2192503201-000	HCM250-FC	HCM250 FEMALE INSERT, CRIMP HCM250母插、冷压型
PART NUMBER 零件料号	PART DESCRIPTION 零件描述	

THIS DRAWING IS A CONTROLLED DOCUMENT.	
DIMENSIONS: mm	TOLERANCES UNLESS OTHERWISE SPECIFIED: 0 PLC ±- 1 PLC ±- 2 PLC ±- 3 PLC ±- 4 PLC ±- ANGLES ±-
MATERIAL -	FINISH -

DWN BELL SU 05DEC2016	 TE Connectivity NAME HCM250-FC
CHK KYLE ZENG 05DEC2016	
APVD CHRIS WANG 05DEC2016	
PRODUCT SPEC 108-137171	
APPLICATION SPEC 114-137171	RESTRICTED TO -
WEIGHT -	SIZE A3
CUSTOMER DRAWING	CAGE CODE -
	DRAWING NO T2192503201000
	SCALE 1:1
	SHEET 1 OF 1
	REV A

X-ON Electronics

Largest Supplier of Electrical and Electronic Components

Click to view similar products for [Heavy Duty Power Connectors](#) category:

Click to view products by [TE Connectivity](#) manufacturer:

Other Similar products are found below :

[1424439](#) [1424438](#) [09330062652](#) [2-8675P1](#) [605601-1](#) [6340G1](#) [6341G1](#) [6360G1](#) [6373G1](#) [6374g2](#) [6396G1](#) [647757-1](#) [66394-4](#) [6643411-1](#)
[6646058-2](#) [6646137-1](#) [6646138-1](#) [6646348-1](#) [6646479-1](#) [6646608-1](#) [6646786-1](#) [6646940-1](#) [6651091-1](#) [6651525-1](#) [6651529-1](#) [6651778-1](#)
[6651788-1](#) [696465-1](#) [696475-1](#) [73000005059](#) [73000005349](#) [73000005642](#) [73080255059](#) [73080965046](#) [765-15-0080A](#) [765-16-0080B](#)
[789.700-44](#) [789.700-54](#) [80-1010](#) [80-9](#) [827381-1](#) [829992-1](#) [902-77-02113](#) [PL00U-301-10D10](#) [PM103MOOLOO](#) [PM16S1620S32-50](#)
[PM212MOOLOO](#) [PM309FOOLOO](#) [PM324FOOLCH](#) [PMHPAF11S03](#)