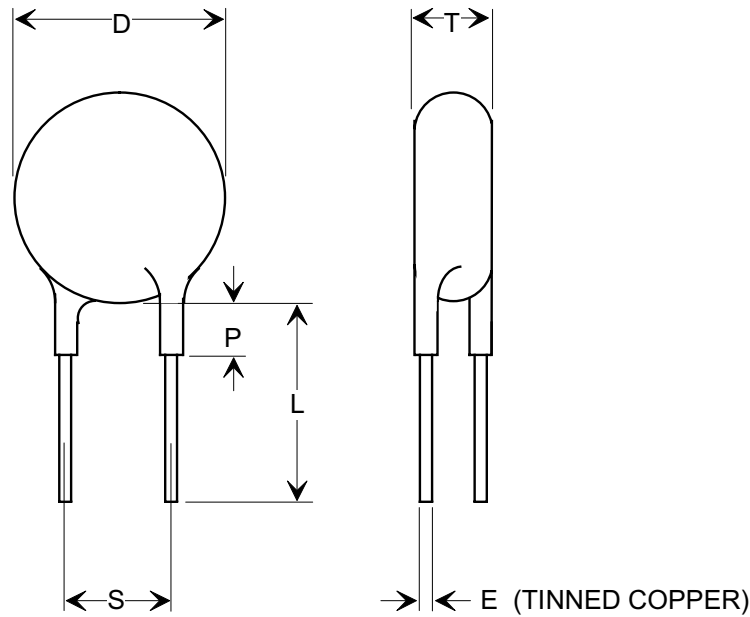
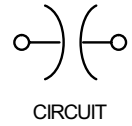
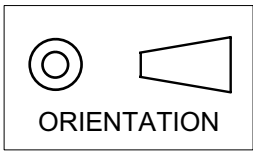


Electrical Testing
per Tusonix standard
test plans and Mil-Std-202
Test Methods.

MARKETING SALES DRAWING
DIMENSIONS IN INCHES - DO NOT SCALE THIS DRAWING
DIMENSIONS IN METRIC - []



SPECIFICATIONS

TUSONIX PART NO.	811-040-X7R0-102K	
D (Diameter):	.550 ± .040 [13.97 ± 1.01]	
T (Thickness):	.120 ± .040 [3.05 ± 1.01]	
S (Lead Wire Spacing):	.375 ± .060 [9.52 ± 1.52]	
L (Lead Wire Length):	1.25 MIN. [31.75]	
E (Lead Wire Diameter):	.025 (22 AWG.) [0.63]	
P (Coating on Leads Max.):	.125 [3.17]	
Capacitance Value:	1000 pF	
Capacitance Tolerance:	± 10%	
Temperature Coefficient:	X7R0	
Voltage:	Working:	500 VDC
	Test:	1500 VDC
	Life:	1000 VDC
Marking:	TMK, MIL P/N, DATE CODE	

MILITARY P/N: CK62BX102K

NOTE: CONFORMAL COATING IS
PHENOLIC RESIN (DUREZ)
WITH WAX IMPREGNATION.

REVISION RECORD	Original Release C.O. 20030522-3-01	--TOLERANCES-- Unless Otherwise Specified	Title DISC		
	0		DECIMAL ±	Drawn L.E. 05-22-03	Scale
	 TUCSON, ARIZONA		ANGLES ±	Approved T.C. 05-22-03	
			A	811-040-X7R0-102K	

X-ON Electronics

Largest Supplier of Electrical and Electronic Components

Click to view similar products for [cts manufacturer](#):

Other Similar products are found below :

[744C083333JP](#) [296UD504B1N](#) [262XR102B](#) [744C083102JP](#) [CB3LV-3C-32M7680](#) [744C083222JP](#) [743C083103JP](#) [770101223](#) [4400-506](#)
[026TB32R253B1A1](#) [766163511GP](#) [ATS040SM-1](#) [MXO45HST-3C-16M0000](#) [ATS061C](#) [ATS25ASM-1](#) [743C083104JP](#) [744C083472JP](#)
[77083103P](#) [218-10LPSTRF](#) [O7050147456MFDA4SC](#) [402WF20012IMR](#) [KFF6516A](#) [194-8MST](#) [742C083330JPTR](#) [750-101-R120](#)
[TFE322T32K7680R](#) [TX0506-1B](#) [766143221GP](#) [77061333P](#) [219-10LPSTR](#) [7609-501LF](#) [CTS-1621](#) [284TBCF502A26A1](#) [766163560GP](#)
[CB3-3I-20M0000](#) [4300-060LF](#) [4400-032](#) [ATS12ASM-1](#) [201XR104B](#) [770103101P](#) [CA25C5003HLT](#) [209-2MSF](#) [6740-2015](#) [CB3-3C-](#)
[1M5440](#) [206-6RAST](#) [T8031-5V](#) [ATS16ASM-1E](#) [767163104D](#) [PB1-36ND](#) [ATS049BSM-1E](#)