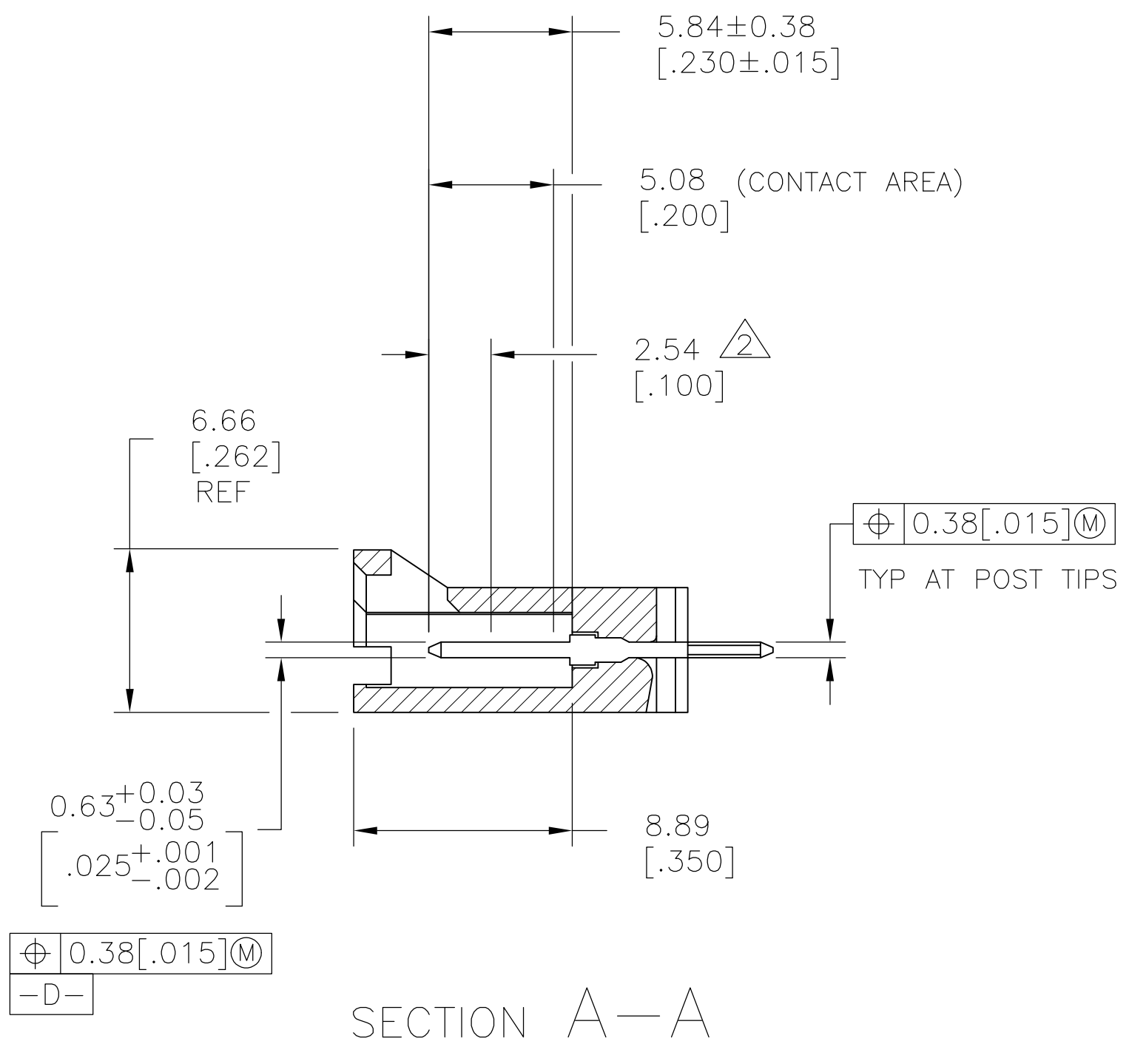
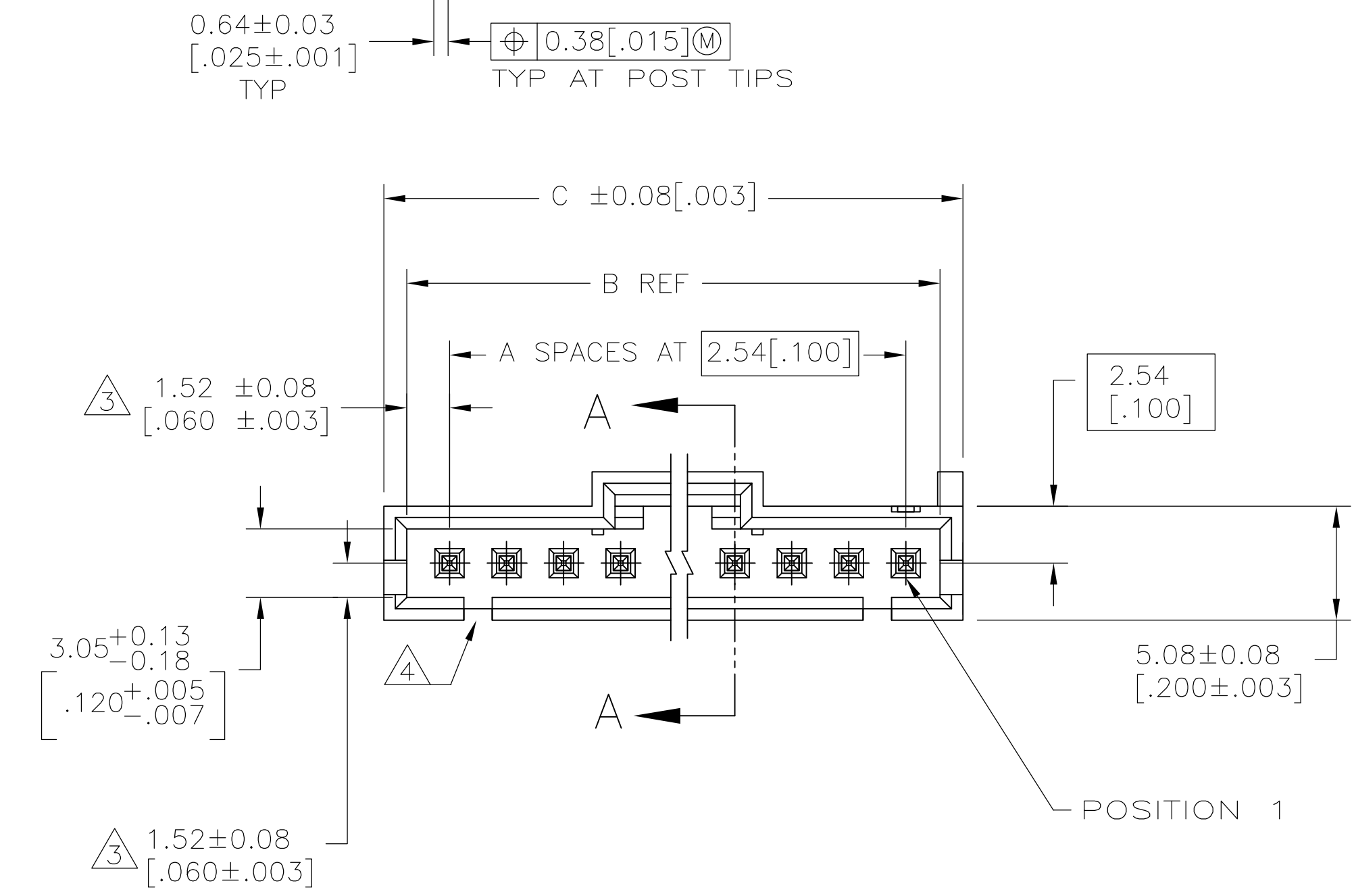
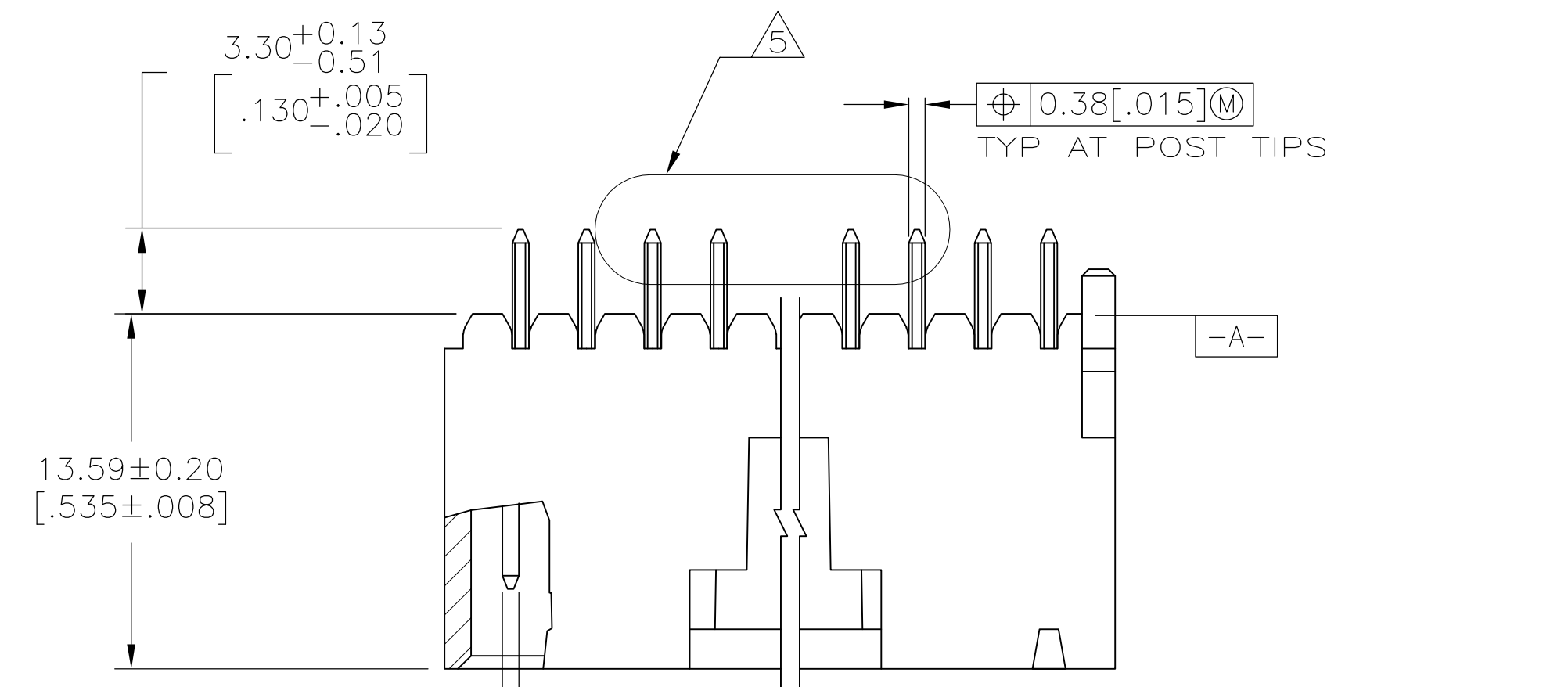
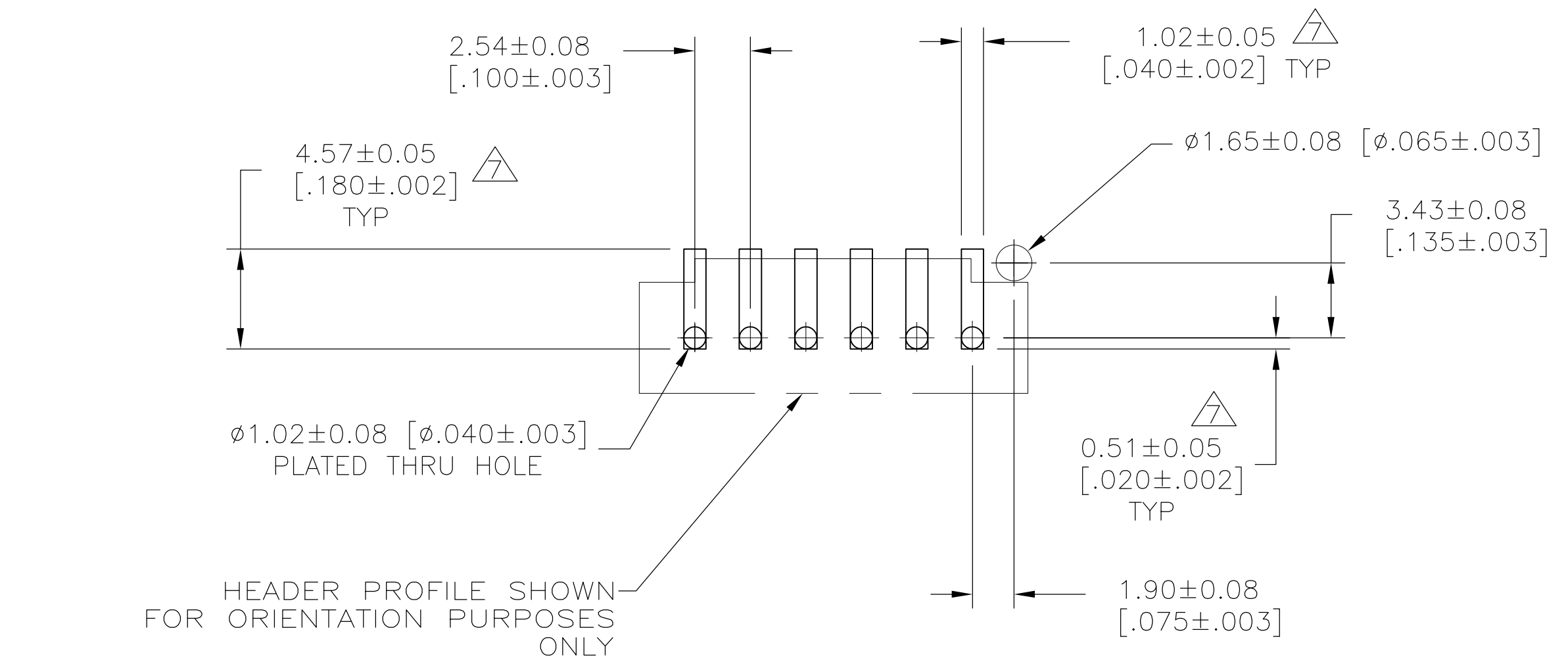


REVISIONS					
P	LTR	DESCRIPTION	DATE	DMN	APVD
C		REV PER OG3C-0031-05	31JAN05	RB	JG
D		REVISED PER ECO-17-002212	11APR2017	RS	MM



- ① FINISH: 0.00254[.000100] BRIGHT TIN OVER 0.00127[.000050] NICKEL.
- ② POINT OF MEASUREMENT FOR PLATING THICKNESS.
- ③ THE NOTED DIMENSIONS APPLY FROM THE BASIC DIMENSION CENTER LINE (NOT THE POST CENTER LINE) TO THE SURFACE INDICATED.
- ④ ONE POLARIZATION SLOT FOR 2 POSITION ASSEMBLY ONLY.
- ⑤ SELECT POST TAILS FORMED TO PROVIDE CONNECTOR HOLD DOWN UNTIL SOLDERED, CONFIGURATION ACCEPTS 0.69[.027]-2.03[.080] THICK PRINTED CIRCUIT BOARD. (SEE DETAIL Z).
- 6. PARTS ARE PACKAGED IN GANG OF TUBES.
- ⑦ DIMENSIONS NOTED ARE FOR SOLDER STENCIL LAYOUT FOR USE WITH 1.58±0.20[0.062±0.008] THICK PRINTED CIRCUIT BOARDS.
- ⑧ MATERIAL- HOUSING: LCP, COLOR-BLACK. POSTS: BRASS.
- ⑨ FINISH: 0.00254[.000100] MATTE TIN OVER 0.00127[.000050] NICKEL.
- ⑩ OBSOLETE PART NUMBER



RECOMMENDED PC BOARD MOUNTING DIMENSIONS
RECOMMENDED STENCIL THICKNESS = 0.25[.010]

⑨	32.89 [1.295]	30.99 [1.220]	11	12	6-147750-1
⑨	32.89 [1.295]	30.99 [1.220]	11	12	5-147750-1
①	32.89 [1.295]	30.99 [1.220]	11	12	1-147750-1
PLATING	C	B	A	NO. OF POSN	PART NO.

THIS DRAWING IS A CONTROLLED DOCUMENT.		DIN R BROWN 02APR01	STE TE Connectivity		
DIMENSIONS: mm		CHK K WRIGHT 02APR01	NAME POLARIZED HDR ASSY, AMPMODU MTE, VERTICAL SINGLE ROW, 2.54[.100] CL, 0.64[.025] SQ POSTS, WITH LATCHING WITH SWAGE		
TOLERANCES UNLESS OTHERWISE SPECIFIED:		APVD K WRIGHT 02APR01	APPLICATION SPEC		
0 PLC ± -		SIZE		RESTRICTED TO	
1 PLC ± -		CAGE CODE		DRAWING NO	
2 PLC ± 0.13[.005]		A1		00779C=147750	
3 PLC ± -		WEIGHT		CUSTOMER DRAWING	
4 PLC ± -		SCALE		4:1	
ANGLES ± -		SHEET		1 of 1	
SEE TABLE		REV		D	

X-ON Electronics

Largest Supplier of Electrical and Electronic Components

Click to view similar products for [Headers & Wire Housings](#) category:

Click to view products by [TE Connectivity](#) manufacturer:

Other Similar products are found below :

[95000-104TRLF](#) [10135584-644402LF](#) [DF62W-EP2022PCA](#) [95000-106TRLF](#) [DF62W-2022SCA](#) [DF62W-EP2022PC](#) [2203348](#) [DF62W-2022SC](#) [1084018](#) [1029039](#) [1084017](#) [802-10-012-10-002000](#) [1112640](#) [1112639](#) [000-34000](#) [0009482033](#) [0009507031](#) [57102-S06-03LF](#) [57202-S52-04LF](#) [PCN6-15S-2.5E](#) [0039019024](#) [58102-G61-06LF](#) [582553-1](#) [0009508121](#) [0022285053](#) [0050291907](#) [018731A](#) [LY20-4P-DT1-P1E-BR](#) [02.125.8002.8](#) [60101931](#) [60598-1 \(Cut Strip\)](#) [M1625-3R/100](#) [61062-3](#) [61082-181009](#) [636-1427](#) [638009-1](#) [641938-9](#) [641991-4](#) [644168-1](#) [647662-1](#) [65039-019ELF](#) [65817-002LF](#) [65817-015LF](#) [65863-015LF](#) [66207-023LF](#) [67016-026LF](#) [67046-001LF](#) [67095-007LF](#) [67230-005LF](#) [68002-116](#)