

BAILIN ELECTRONICS CO.,LTD

SW-520 Roll Ball Switch



- Modelnumber:SW-520D
 - BrandName:Beelee
 - Type:Ball
 - Material:Housing and cover: PE heat shrinkable tubing/ Ball: Stainless steel, gold-plated / Guide pin: Brass, gold-plated / Copper tube: Brass
 - Shape:Round
 - color:Black / Gray
-

Electrical Characteristics:

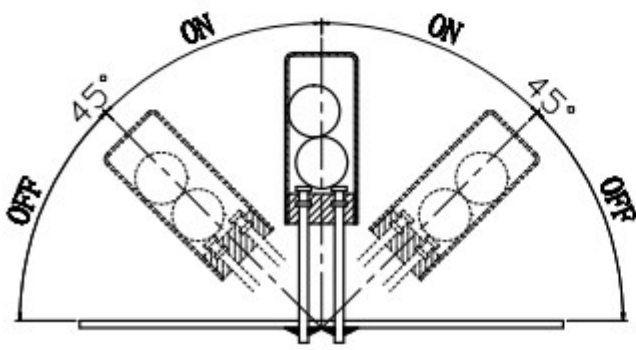
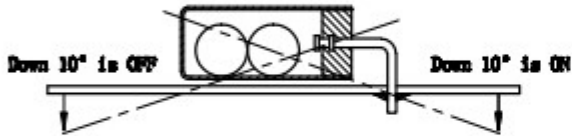
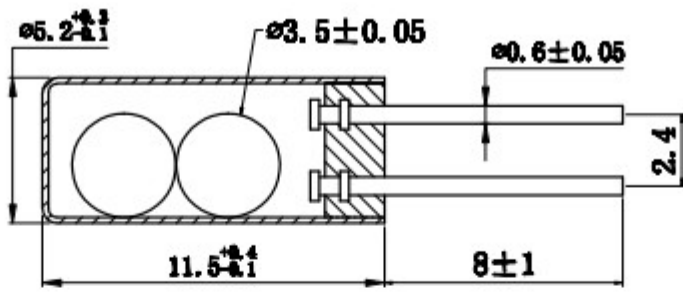
- Contact Rating:12V
 - Differential angle:
 - Contact Resistance: <10 ohm
 - InsulationResistance:>10M ohm
 - Capacitance:5PF
-

Applications:

- Digital picture frames rotation and up-side down detecting, Cameras rotation detecting, Automotive devices, Home electrical appliances, Information devices, Communication settings,automatic power-off function for household appliances, Toys etc

Features:

- 1.SW-520 istwo balls type single direction tilt sensitive trigger switch
- 2.When the products tilt to the cap terminaland the tilt angle is more than 10degree, it will be a opened circuit "OFF-stated". When the products of horizontal placed tilt change, the trigger lead terminal is below the horizontal and tilt angle is more than 10degree, it will be a closed circuit "ON-stated".
- 3.When the products parallel and tilt to the Pin feet, the trigger lead feet of tilt angle is less than 45 degree for the opened circuit "OFF-stated". When the trigger lead feet terminal of tilt angle is more than 45 degree for the closed circuit " ON-stated
- 4.Product completelyairtight, waterproof, dustproof
- 5.In the normal,switchlifespancam reach10,0000 cycles
- 6.Switches material comply with the ROHS and can replace the mercury switches.
- 7.Switch signals simple, circuit is simple in design, economic price.



X-ON Electronics

Largest Supplier of Electrical and Electronic Components

Click to view similar products for [Board Mount Motion & Position Sensors](#) category:

Click to view products by [OKYSTAR](#) manufacturer:

Other Similar products are found below :

[SV03A103AEA01B00](#) [601HE0000B01](#) [6SS4](#) [IRA-S510ST01](#) [KMA221J](#) [XL-10043](#) [F02008062](#) [M10-JK8002C](#) [UM7-LT ORIENTATION SENSOR](#) [UM7 ORIENTATION SENSOR](#) [AMN33111J](#) [MTS-360-1A-C0000-ERA360-05E](#) [F01551006](#) [AMN11111](#) [AMN24112](#) [AMN31111](#) [AMN31112](#) [AMN34112](#) [AMN34111](#) [AMN23111](#) [SV03A103AEA01R00](#) [EKMC1693113](#) [EKMB1303111K](#) [EKMB1293112](#) [PST360-11302-1P-C0000-ERA360-24E-F100](#) [AMBA340215](#) [AMBA210205](#) [AMA115915](#) [A1324LLHLTT](#) [MLX91204KDC-ABA-001-SP](#) [EKMC1605111](#) [MLX90380LDC-BAB-120-SP](#) [02183000-000](#) [3382H-1-104](#) [EKMB1104111](#) [EKMB1204111](#) [EKMB1305111K](#) [EKMC1604112](#) [EKMB1305112K](#) [EKMB1205111](#) [EKMB1205112](#) [AMBA240202](#) [EKMB1304113K](#) [EKMB1105111](#) [EKMB1105112](#) [EKMC1693112](#) [EKMC1605112](#) [MLX90316EDC-BCG-000-SP](#) [EKMB1305113K](#) [AMBA345912](#)