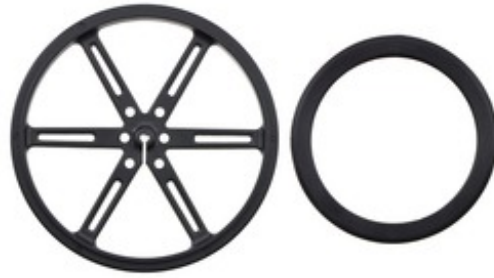




Pololu Wheel 90x10mm Pair - Yellow



90x10mm wheel with tire removed.

Description

These wheels are designed to press-fit securely onto the 3mm D output shafts on many of our gearmotors, including our micro metal gearmotors and our plastic gearmotors with 3mm D-shafts. They also work with our 35:1 and 115:1 15.5D metal gearmotors, as well as with our selection of Solarbotics metal gear motors. The wheels have silicone tires and measure 90 mm (3.54") in diameter. Six additional mounting holes for 4-40 screws make it possible to use the wheel with any of our universal mounting hubs. The slots in the six spokes allow additional accessories to be mounted to the wheel (e.g. decorations or parts of an encoder system).



Note: Our high-traction sticky tires can be stretched to fit around the hubs of these 90x10 mm wheels, but the fit is not great, and you might need to use glue to keep on the hub.

The left picture below shows this wheel mounted to a 37D mm metal gearmotor with a universal mounting hub for 6mm shafts, and the right picture below shows this wheel mounted to a micro metal gearmotor.



Black Pololu 90x10mm wheel on a Pololu 37D mm metal gearmotor.



Black Pololu 90x10mm wheel on a Pololu micro metal gearmotor.

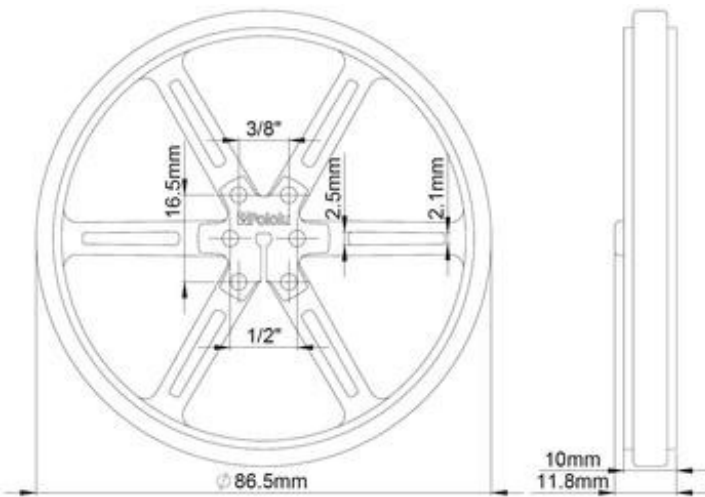
We have similar wheels available in different sizes and colors:



Pololu wheels with 90, 80, 70, 60, and 32mm diameters.



Pololu wheels with 90, 80, 70, and 60mm diameters in three colors: blue, red, and yellow.



Mechanical drawing of Pololu wheel 90×10mm without tire.



Pololu universal hub for 6mm shaft mounted to Pololu 90×10mm wheel.

[Documentation on producer website.](#)

X-ON Electronics

Largest Supplier of Electrical and Electronic Components

Click to view similar products for [Accessories for Robotics and RC category](#):

Click to view products by [Pololu manufacturer](#):

Other Similar products are found below :

[56T705](#) [015-9516-002](#) [01.001.6453.0](#) [641763-8](#) [CW106-01X](#) [CW30101A](#) [CW31701A](#) [D2041839](#) [70.352.0628.0](#) [73.353.4028.1](#) [FB22001A](#)
[FB30601A](#) [9009030000](#) [9501](#) [121587-0026](#) [1218510-1](#) [1218629-4](#) [1218630-4](#) [1261000A00M001](#) [128-26-5](#) [RFI77-14](#) [1367251-2](#) [14](#) [1-](#)
[449604-1](#) [1460g4](#) [1470g4](#) [DV0PM20034](#) [MS27488-16-1](#) [MS3057-12A W/B](#) [MS3057-8A-624](#) [MS600-2-XP-1A](#) [MS-602-GEE-14-07C](#)
[MS603-12-01A](#) [MS90376-14R](#) [MS90376-16RB](#) [MTB1-11PH3](#) [1676610000](#) [1A9224 REV A](#) [210-115](#) [CA20L22](#) [2227383-1](#) [225-0090-000](#)
[225-0098-000](#) [KA-89-82](#) [CB20201X](#) [KC-89-104](#) [CB30601A](#) [CB31201A](#) [236-600](#) [CBC120210-752](#)