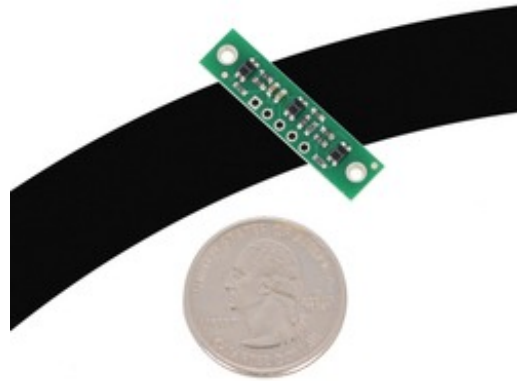


## QTR-3A Reflectance Sensor Array



The QTR-3A reflectance sensor array requires analog inputs to take readings. The similar QTR-3RC reflectance sensor array is available with digital I/O-compatible outputs.

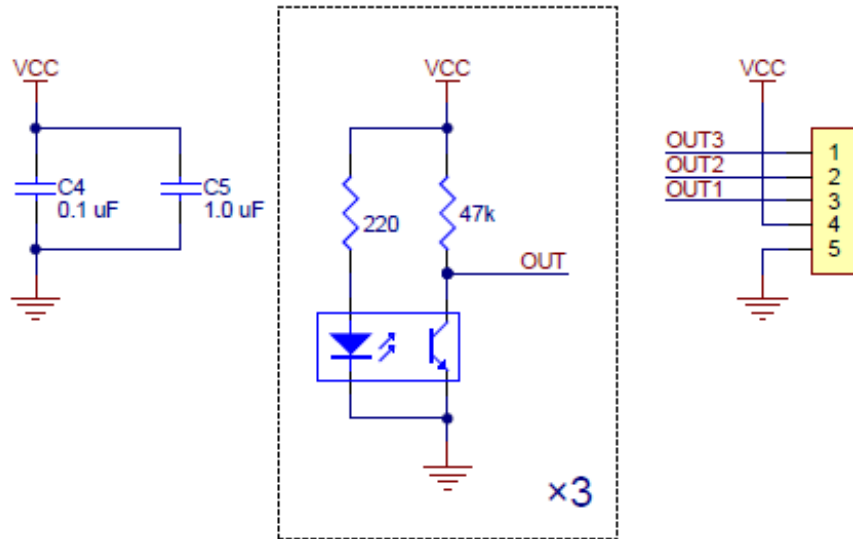


### Functional Description

The QTR-3A reflectance sensor array is intended as a line sensor, but it can be used as a general-purpose proximity or reflectance sensor. The module is a convenient carrier for three IR emitter and receiver (phototransistor) pairs. With sensors spaced at intervals of 0.375" (9.525 mm) along of the board's longer axis, this array works well as a minimal detector for line-following robots, as line-following courses are commonly made using 3/4" (19 mm) black electrical tape. The middle sensor is slightly offset along the short axis of the board.

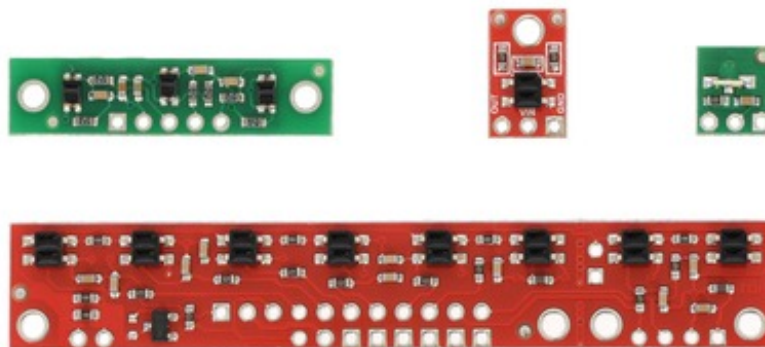
Each phototransistor is connected to a pull-up resistor to form a voltage divider that produces an analog voltage output between 0 V and VCC (which is typically 5 V) as a function of the reflected IR. Lower output voltage is an indication of greater reflection.

The LED current-limiting resistors are set to deliver approximately 17 mA to the LEDs when VCC is 5 V, making the total board consumption just over 50 mA. The schematic diagram of the module is shown below:



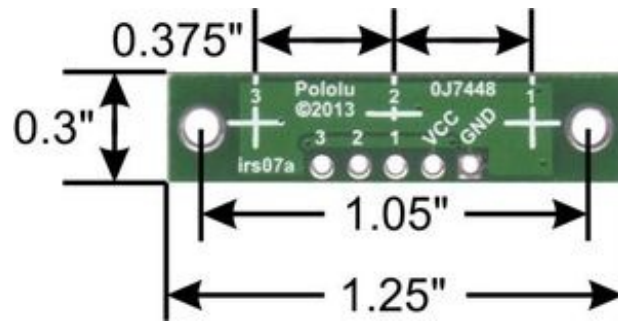
This schematic is also available as a downloadable pdf (115k pdf).

For an alternative array with eight sensors and the ability to turn off the IR LEDs to limit power consumption, consider our QTR-8A reflectance sensor array. For individual reflectance sensors, consider our QTR-1A and QTR-L-1A.



QTR sensor size comparison. Clockwise from top left: QTR-3RC, QTR-1RC, QTR-L-1RC, QTR-8RC.

## Specifications



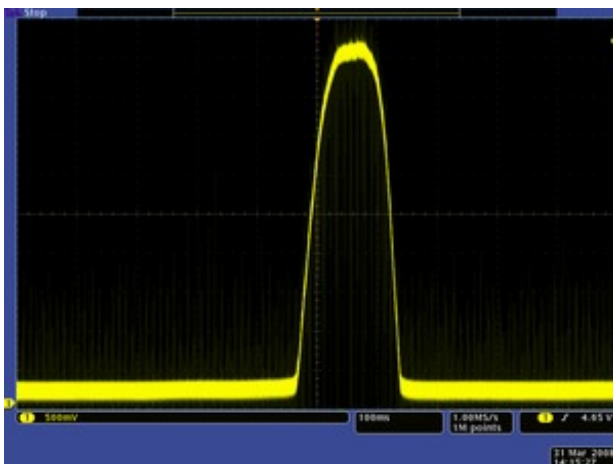
- **Dimensions:** 1.25" × 0.3" × 0.1" (32 × 8 × 3 mm) (without header pins installed)
- **Operating voltage:** 5.0 V
- **Supply current:** 50 mA
- **Output format:** 3 analog voltages
- **Output voltage range:** 0 V to supplied voltage
- **Optimal sensing distance:** 0.125" (3 mm)
- **Maximum recommended sensing distance:** 0.25" (6 mm)
- **Weight without header pins:** 0.02 oz (0.6 g)

### Interfacing with the QTR-3A Outputs

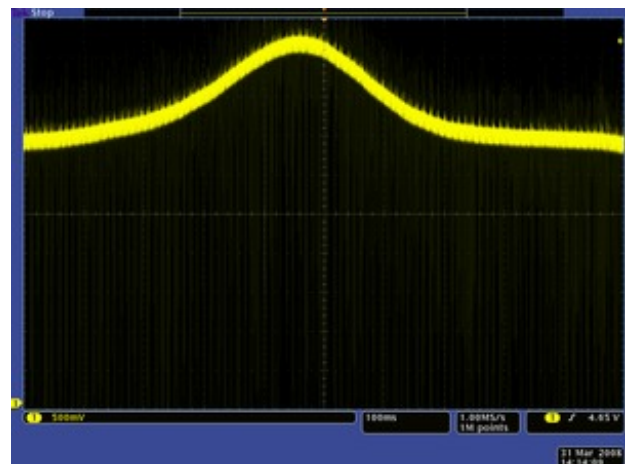
There are several ways you can interface with the QTR-3A outputs:

- **Use a microcontroller's analog-to-digital converter (ADC) to measure the voltages.**
- **Use a comparator with an adjustable threshold to convert each analog voltage into a digital (i.e. black/white) signal that can be read by the digital I/O line of a microcontroller.**
- **Connect each output directly to a digital I/O line of a microcontroller and rely upon its internal comparator.**

This last method will work if you are able to get high reflectance from your white surface as depicted in the left image, but will probably fail if you have a lower-reflectance signal profile like the one on the right. (Please note that these images show the output of a QTR-1A, which uses a sensor with slightly different characteristics than the ones on the QTR-3A.)



QTR-1A output 1/8" away from a spinning white disk with a black line on it.



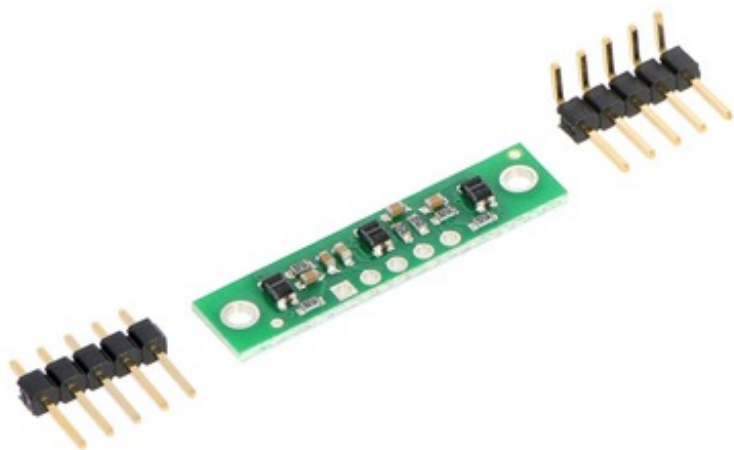
QTR-1A output 3/8" away from a spinning white disk with a black line on it.

Our Pololu AVR library provides functions that make it easy to use these sensors with our

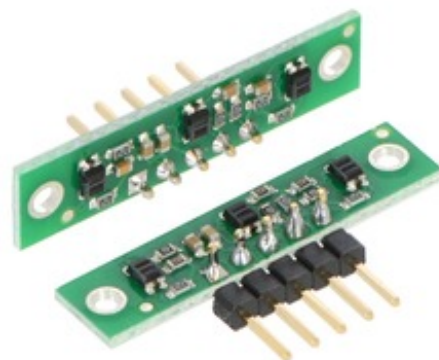
Orangutan robot controllers; please see the QTR Reflectance Sensors section of our library command reference for more information. We also have a Arduino library for these sensors.

### Included Components

This module has two mounting holes intended for #2 screws (not included); if the mounting holes are not needed, the ends of the PCB can be ground off to make the unit even smaller (less than 1" wide). The reflectance sensor array ships with a 1×5 straight male header strip and a 1×5 right-angle male header strip as shown below. You can also solder wires, such as ribbon cable, directly to the pads for the smallest installation.



QTR-3A or QTR-3RC reflectance sensor array with included header pins.



QTR-3A and QTR-3RC reflectance sensor arrays soldered in different orientations.

[Documentation on producer website.](#)

## X-ON Electronics

Largest Supplier of Electrical and Electronic Components

*Click to view similar products for [Distance Sensors](#) category:*

*Click to view products by [Pololu](#) manufacturer:*

Other Similar products are found below :

[MAXBOTIX XL-MAXSONAR-EZ3 MB1230](#) [ZUMO 32U4 FRONT SENSOR ARRAY SEN0352](#) [SHARP GP2Y0A51SK0F TMF8701-1BM](#)  
[GP2Y0AF15X](#) [MLX75026RTH-AAA-210-SP](#) [QTR-3RC](#) [QTR-L-1A](#) [QTR-L-1RC](#) [38 KHZ IR PROXIMITY SENSOR HIGH BRIGHTNE](#)  
[MAXBOTIX LV-MAXSONAR-EZ3 SONAR MB1030](#) [38 KHZ IR PROXIMITY SENSOR LOW BRIGHTNES](#) [SEN0164](#) [VL53L0X TIME-](#)  
[OF-FLIGHT DISTANCE SENSOR](#) [POLOLU-1134](#) [POLOLU-2489](#) [POLOLU-961](#) [DFR0315](#) [KIT0019](#) [KIT0020](#) [SEN0005](#) [SEN0006](#)  
[SEN0007](#) [SEN0008](#) [SEN0153](#) [SEN0208](#) [MAXBOTIX XL-MAXSONAR-AE4 MB1340](#) [SEN0143](#) [MLX75023STF-BAA-000-TR](#) [OKY3262](#)  
[OKY3263](#) [OKY3510](#) [OKY3514](#) [OKY3515](#) [MAXBOTIX XL-MAXSONAR-EZ0 MB1200](#) [MAXBOTIX XL-MAXSONAR-AE0 MB1300](#)  
[QTR-HD-01RC REFLECTANCE SENSOR](#) [QTR-HD-02RC REFLECTANCE SENSOR ARRAY](#) [QTR-HD-03RC REFLECTANCE SENSOR](#)  
[ARRAY](#) [QTR-HD-04RC REFLECTANCE SENSOR ARRAY](#) [QTR-HD-05RC REFLECTANCE SENSOR ARRAY](#) [QTR-HD-06RC](#)  
[REFLECTANCE SENSOR ARRAY](#) [QTR-HD-07RC REFLECTANCE SENSOR ARRAY](#) [QTR-HD-09RC REFLECTANCE SENSOR](#)  
[ARRAY](#) [QTR-HD-15RC REFLECTANCE SENSOR ARRAY](#) [QTR-MD-01RC REFLECTANCE SENSOR](#) [QTR-MD-02RC REFLECTANCE](#)  
[SENSOR ARRAY](#) [QTR-MD-03RC REFLECTANCE SENSOR ARRAY](#) [QTR-MD-04RC REFLECTANCE SENSOR ARRAY](#)